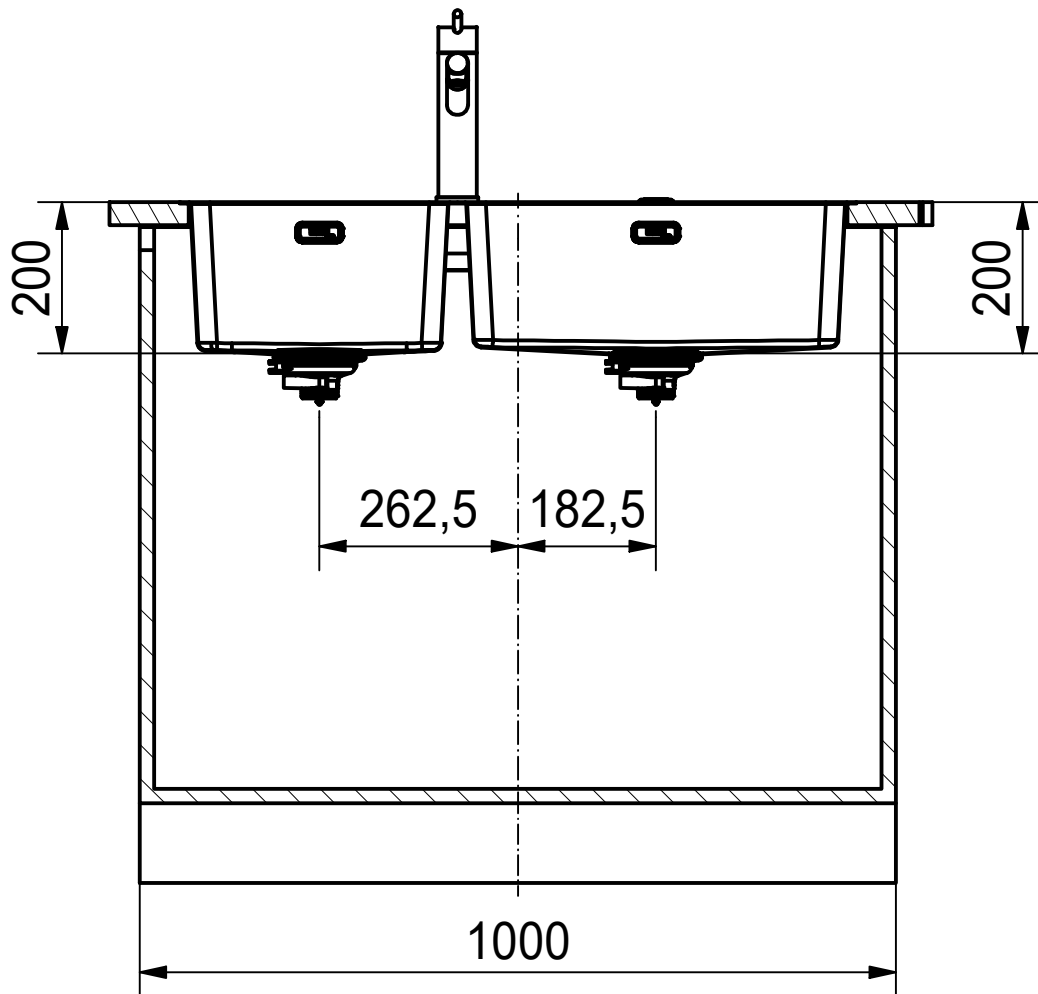


DF



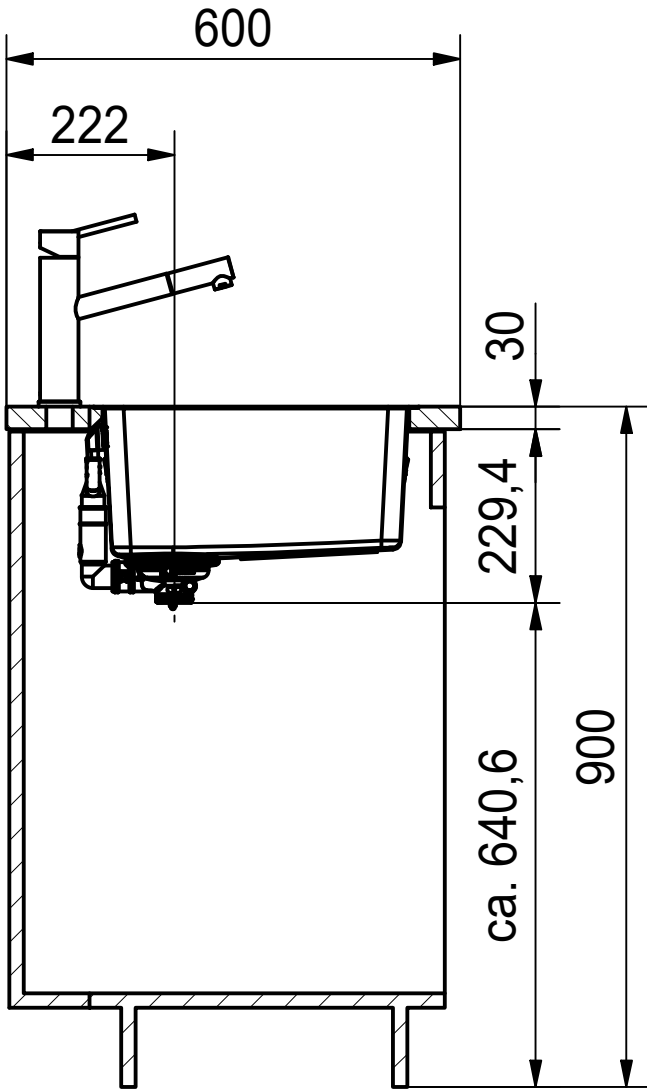
Drawing No.	20191824_02	Revision	A
Drawn Date	16.06.2020		
<small>These drawings and specifications are the property of Franke Technology and Trademark Ltd. and shall not be reproduced, copied or transferred to any third party without the prior written permission of Franke Technology and Trademark Ltd., Hergiswil, Switzerland</small>			



MYX 220/120-50-34 SI

Sheet	Sheets
1	11

DS



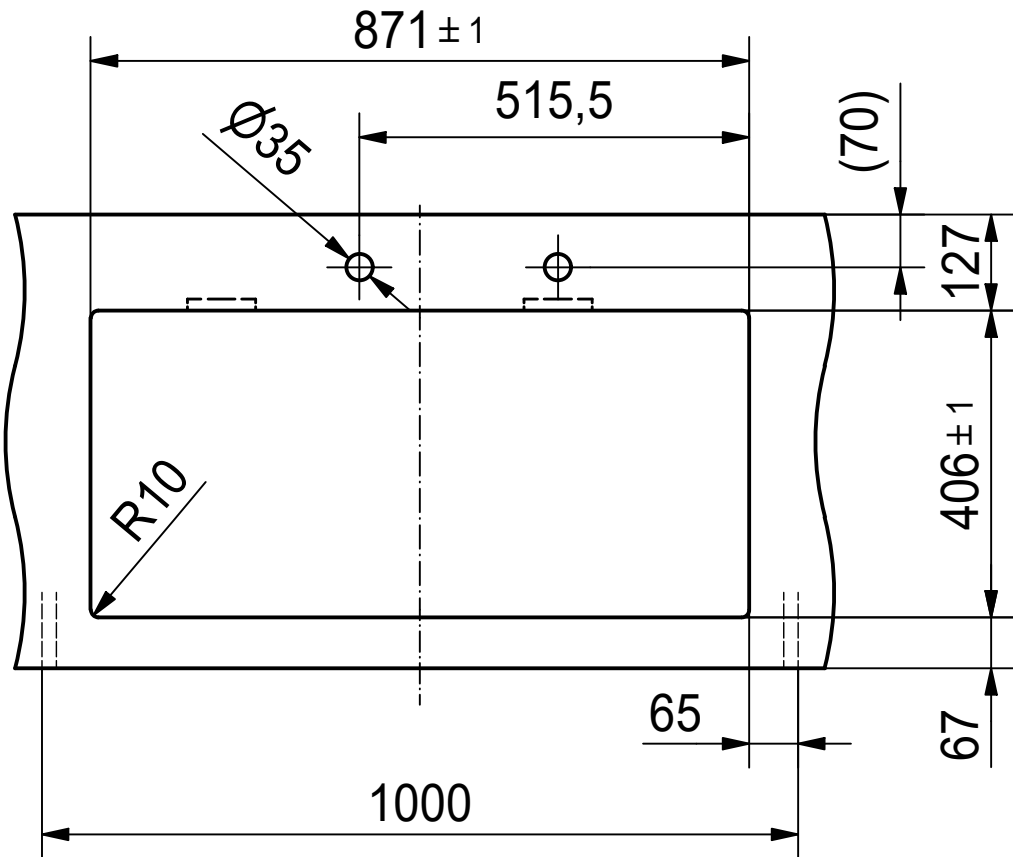
Drawing No.	20191824_02	Revision	A
Drawn Date	16.06.2020		
<small>These drawings and specifications are the property of Franke Technology and Trademark Ltd. and shall not be reproduced, copied or transferred to any third party without the prior written permission of Franke Technology and Trademark Ltd., Hergiswil, Switzerland</small>			



MYX 220/120-50-34 SI

Sheet	Sheets
2	11

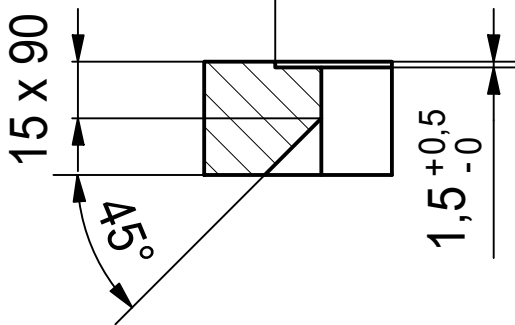
CO



for flush fit only

895.4 x 430.4 x R10.2

(tolerance: +0.5/0)



Drawing No.	20191824_02	Revision	A
Drawn Date	16.06.2020		

These drawings and specifications are the property of Franke Technology and Trademark Ltd. and shall not be reproduced, copied or transferred to any third party without the prior written permission of Franke Technology and Trademark Ltd., Hergiswil, Switzerland

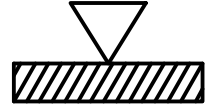


MYX 220/120-50-34 SI

Sheet Sheets

3 11

**CNC**



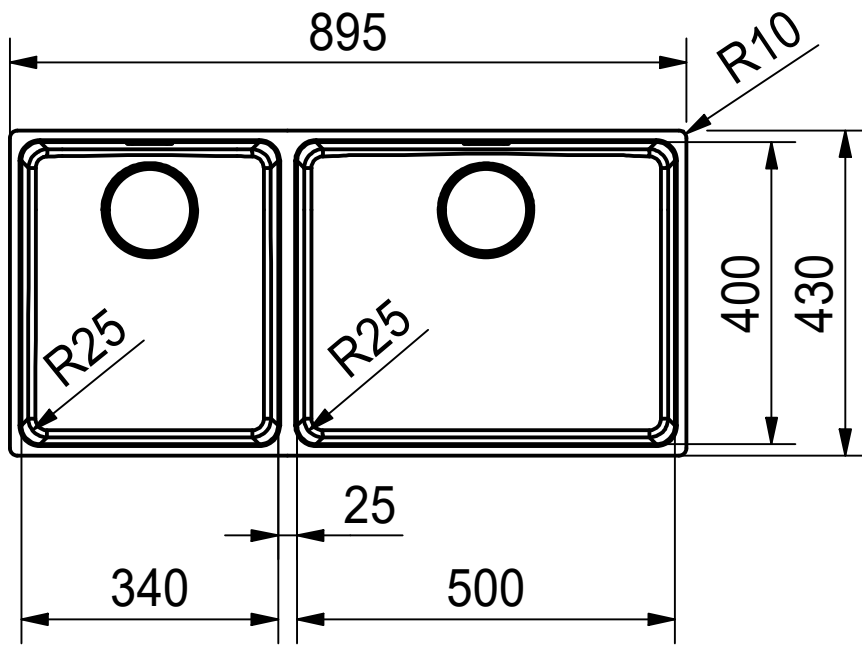
Drawing No.	20191824_02	Revision	A
Drawn Date	16.06.2020		
<small>These drawings and specifications are the property of Franke Technology and Trademark Ltd. and shall not be reproduced, copied or transferred to any third party without the prior written permission of Franke Technology and Trademark Ltd., Hergiswil, Switzerland</small>			



**MYX 220/120-50-34 SI**

Sheet	Sheets
<b>4</b>	<b>11</b>

DT



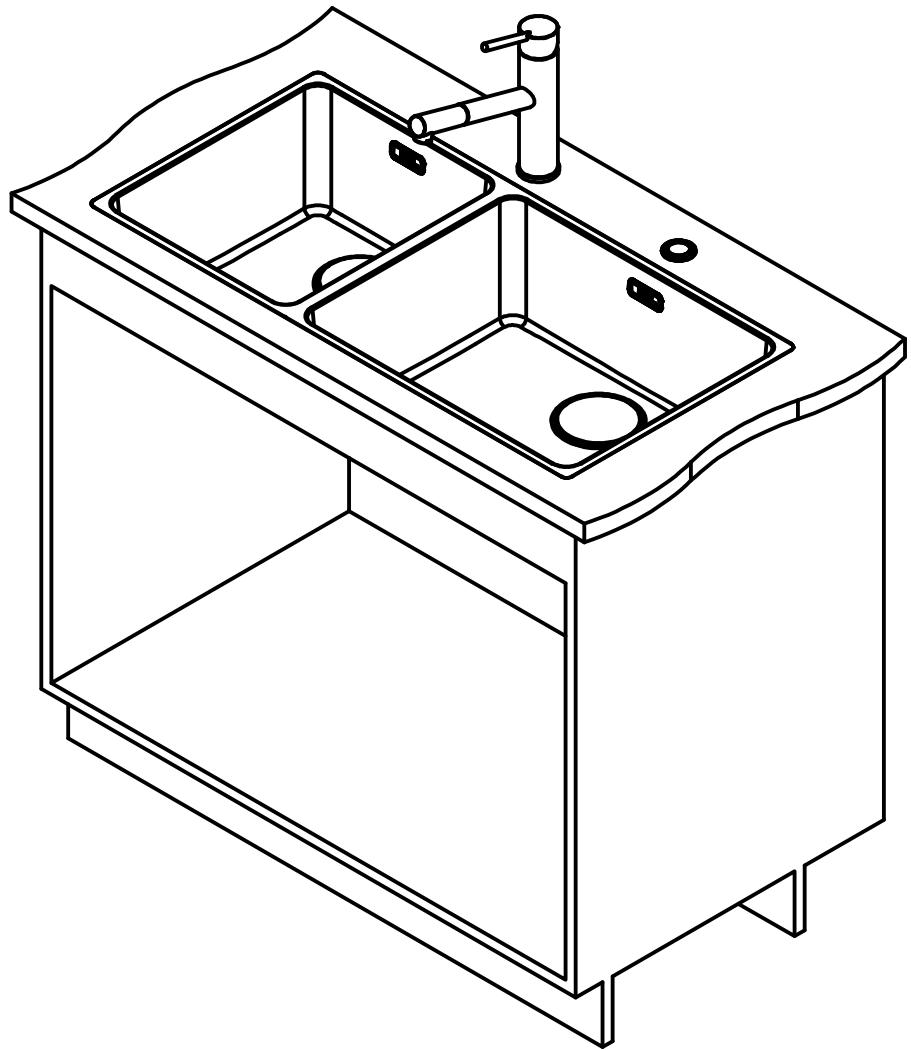
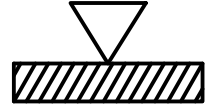
Drawing No.	20191824_02	Revision	A
Drawn Date	16.06.2020		
<small>These drawings and specifications are the property of Franke Technology and Trademark Ltd. and shall not be reproduced, copied or transferred to any third party without the prior written permission of Franke Technology and Trademark Ltd., Hergiswil, Switzerland</small>			



MYX 220/120-50-34 SI

Sheet	Sheets
5	11

ISO



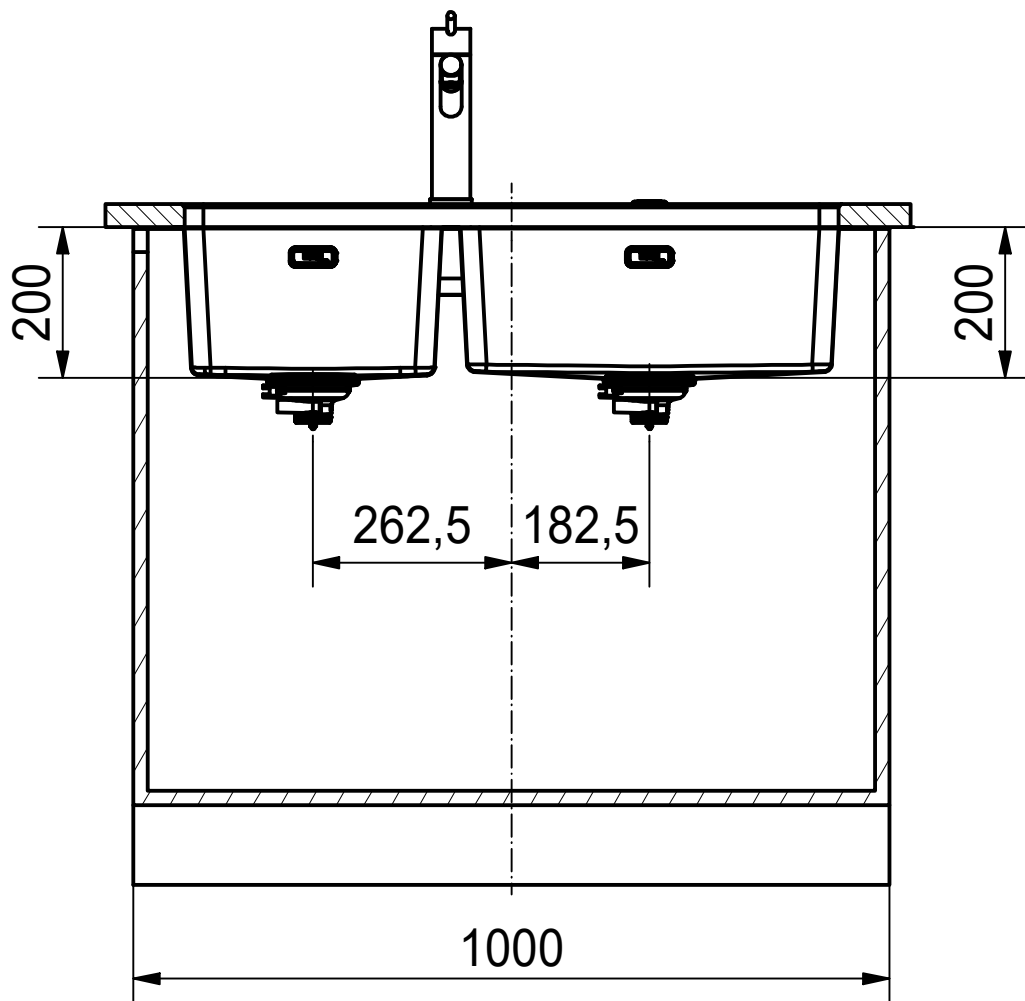
Drawing No.	20191824_02	Revision	A
Drawn Date	16.06.2020		
<small>These drawings and specifications are the property of Franke Technology and Trademark Ltd. and shall not be reproduced, copied or transferred to any third party without the prior written permission of Franke Technology and Trademark Ltd., Hergiswil, Switzerland</small>			



MYX 220/120-50-34 SI

Sheet	Sheets
6	11

DF



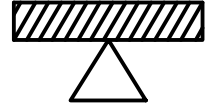
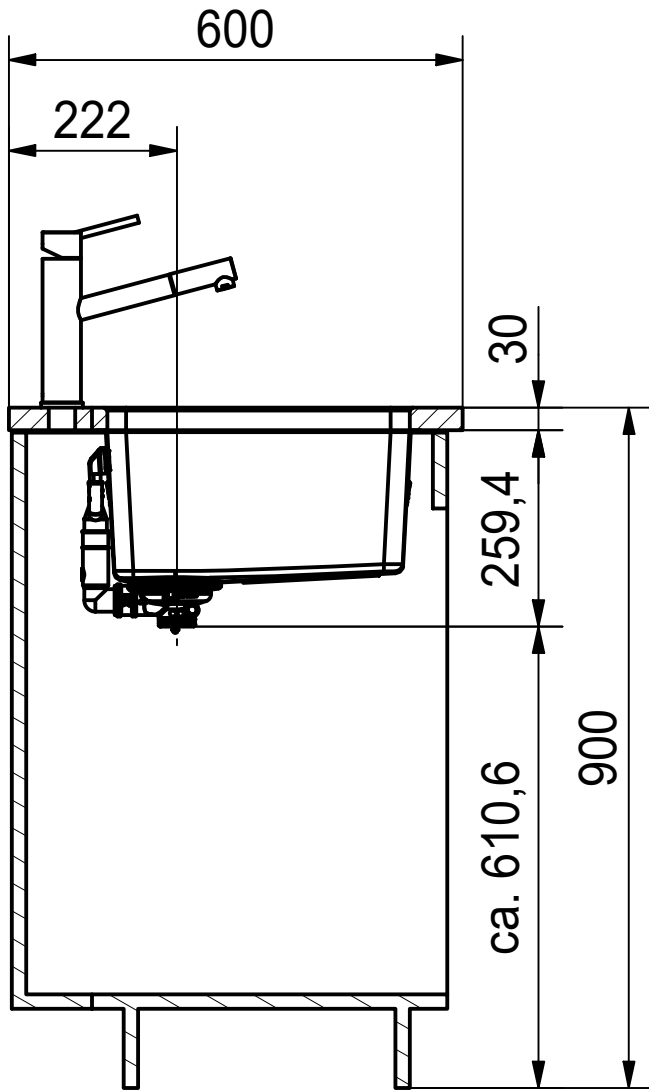
Drawing No.	20191824_02	Revision	A
Drawn Date	16.06.2020		
<small>These drawings and specifications are the property of Franke Technology and Trademark Ltd. and shall not be reproduced, copied or transferred to any third party without the prior written permission of Franke Technology and Trademark Ltd., Hergiswil, Switzerland</small>			



MYX 220/120-50-34 SI

Sheet	Sheets
7	11

DS



Drawing No.	20191824_02	Revision	A
Drawn Date	16.06.2020		

These drawings and specifications are the property of Franke Technology and Trademark Ltd. and shall not be reproduced, copied or transferred to any third party without the prior written permission of Franke Technology and Trademark Ltd., Hergiswil, Switzerland



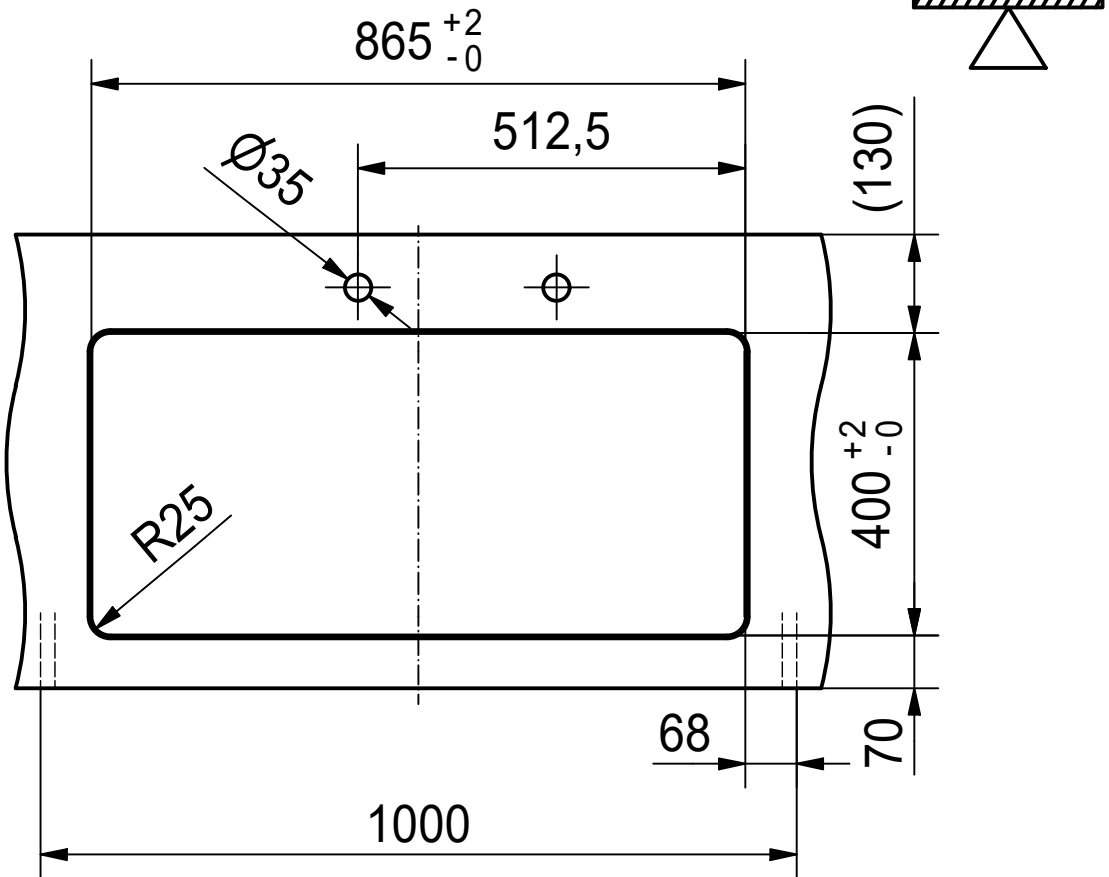
MYX 220/120-50-34 SI

Sheet Sheets

8 11



CO



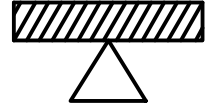
Drawing No.	20191824_02	Revision	A
Drawn Date	16.06.2020		
<small>These drawings and specifications are the property of Franke Technology and Trademark Ltd. and shall not be reproduced, copied or transferred to any third party without the prior written permission of Franke Technology and Trademark Ltd., Hergiswil, Switzerland</small>			



MYX 220/120-50-34 SI

Sheet	Sheets
9	11

**CNC**



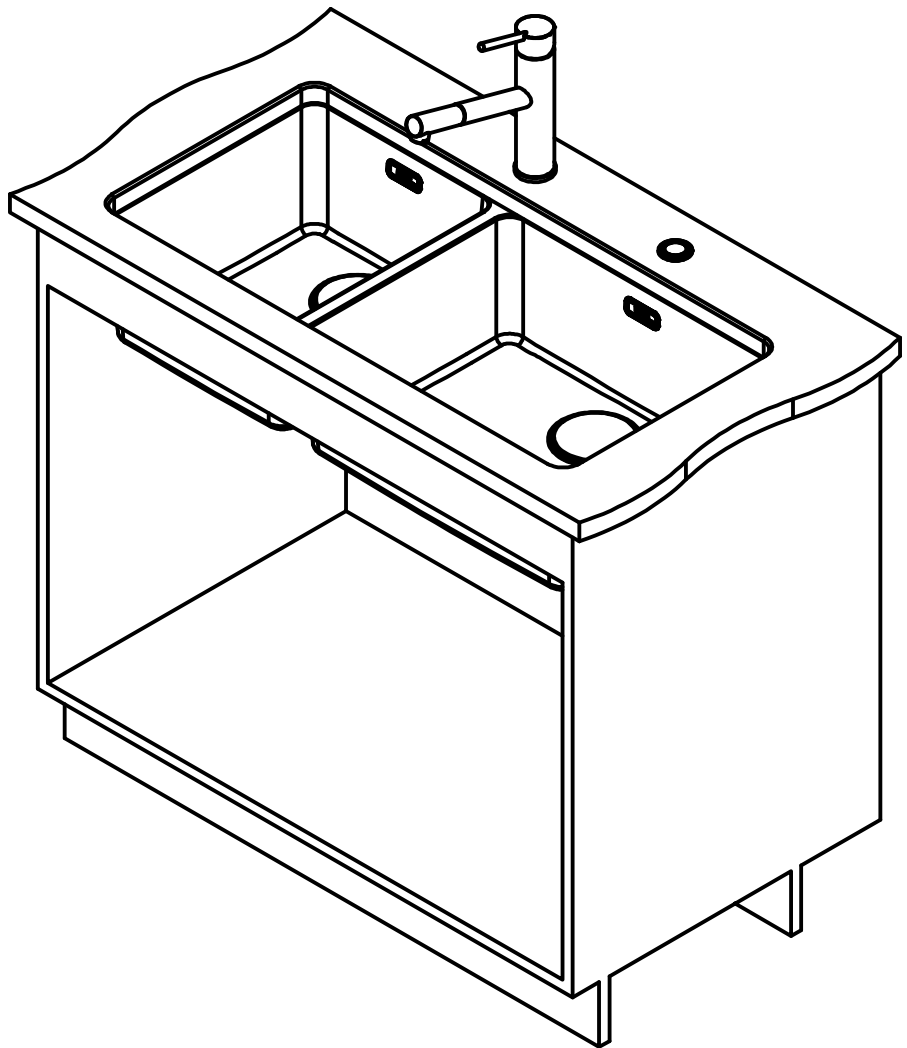
Drawing No.	20191824_02	Revision	A
Drawn Date	16.06.2020		
<small>These drawings and specifications are the property of Franke Technology and Trademark Ltd. and shall not be reproduced, copied or transferred to any third party without the prior written permission of Franke Technology and Trademark Ltd., Hergiswil, Switzerland</small>			



**MYX 220/120-50-34 SI**

Sheet	Sheets
<b>10</b>	<b>11</b>

ISO



Drawing No.	20191824_02	Revision	A
Drawn Date	16.06.2020		
<small>These drawings and specifications are the property of Franke Technology and Trademark Ltd. and shall not be reproduced, copied or transferred to any third party without the prior written permission of Franke Technology and Trademark Ltd., Hergiswil, Switzerland</small>			



MYX 220/120-50-34 SI

Sheet	Sheets
11	11