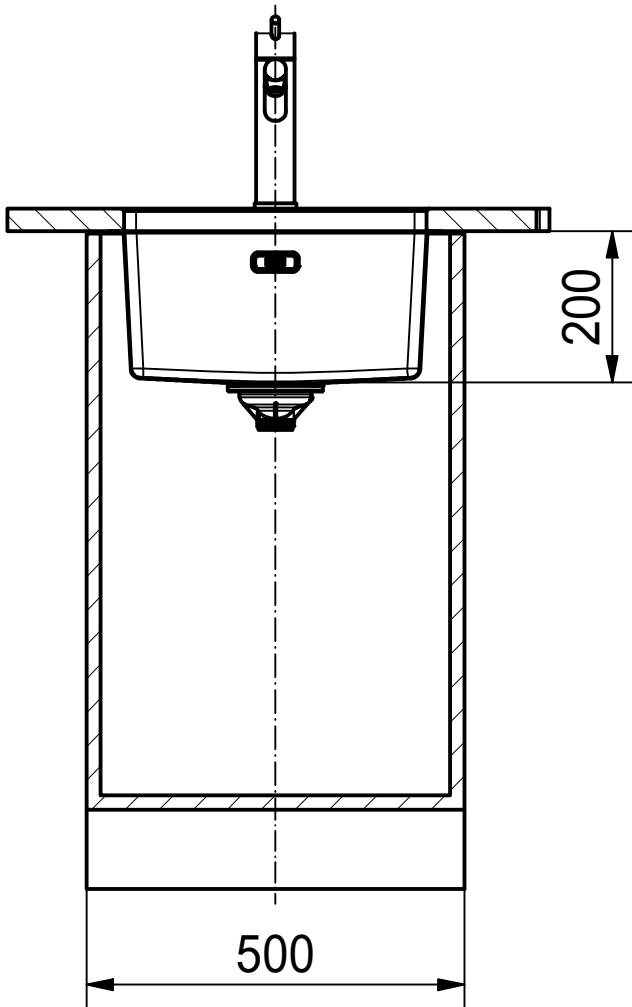


DF



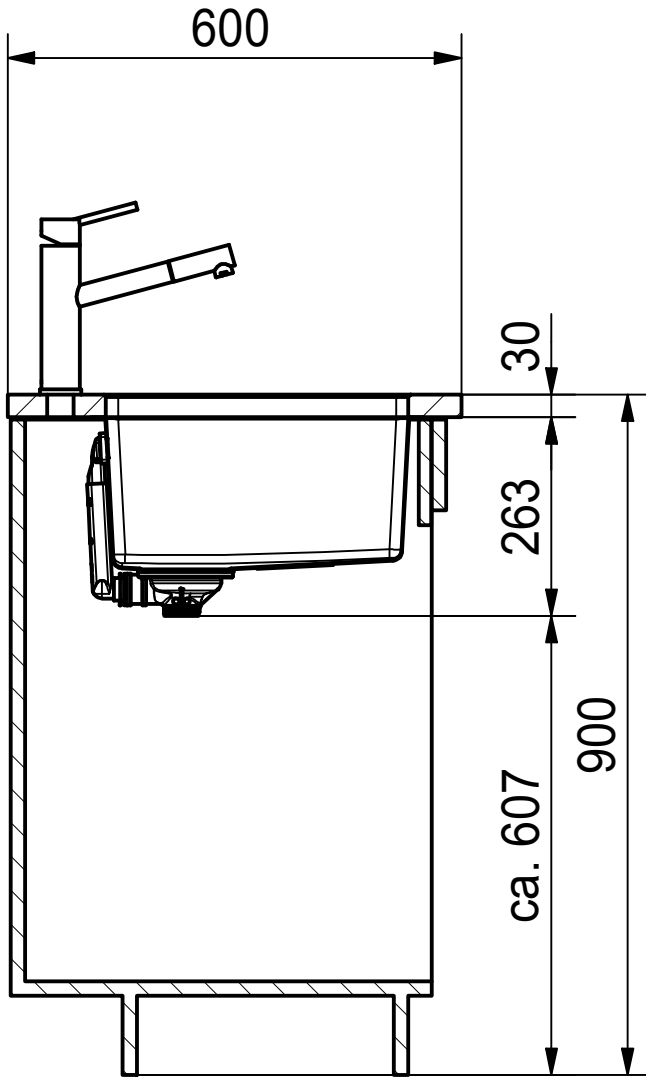
Drawing No.	20214916_02	Revision	A
Drawn Date	01.09.2021		
These drawings and specifications are the property of Franke Technology and Trademark Ltd., Hergiswil, Switzerland.			



FEX 110-40 SI
installing document

Sheet	Sheets
1	6

DS



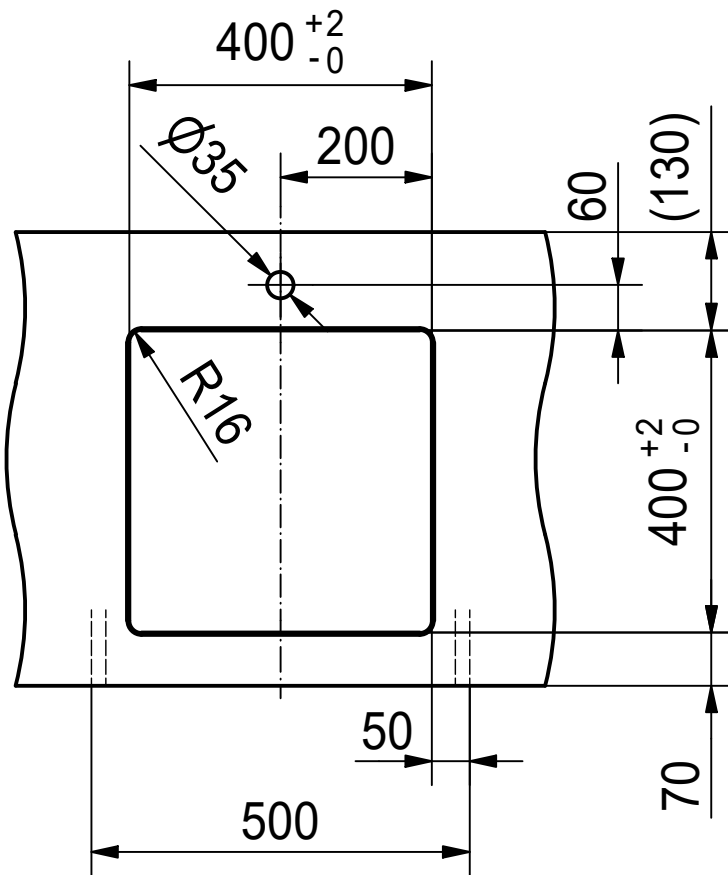
Drawing No.	20214916_02	Revision	A
Drawn Date	01.09.2021		
These drawings and specifications are the property of Franke Technology and Trademark Ltd., Hergiswil, Switzerland.			



FEX 110-40 SI
installing document

Sheet	Sheets
2	6

CO



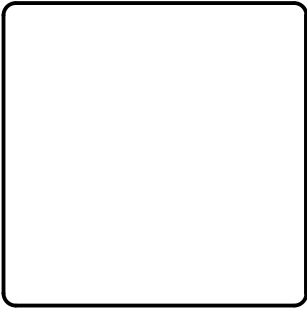
Drawing No.	20214916_02	Revision	A
Drawn Date	01.09.2021		
These drawings and specifications are the property of Franke Technology and Trademark Ltd., Hergiswil, Switzerland.			



FEX 110-40 SI
installing document

Sheet	Sheets
3	6

CNC



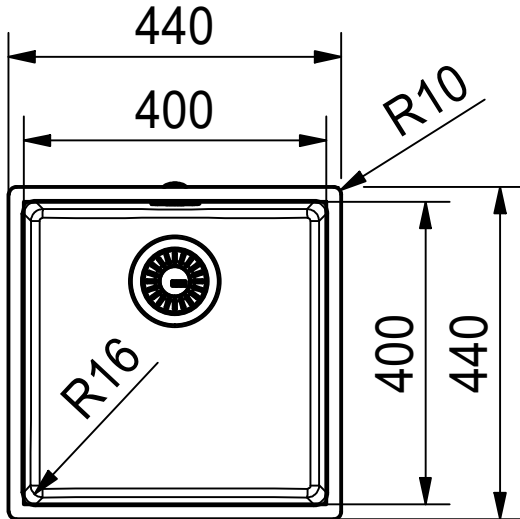
Drawing No.	20214916_02	Revision	A
Drawn Date	01.09.2021		
These drawings and specifications are the property of Franke Technology and Trademark Ltd., Hergiswil, Switzerland.			



FEX 110-40 SI
installing document

Sheet	Sheets
4	6

DT



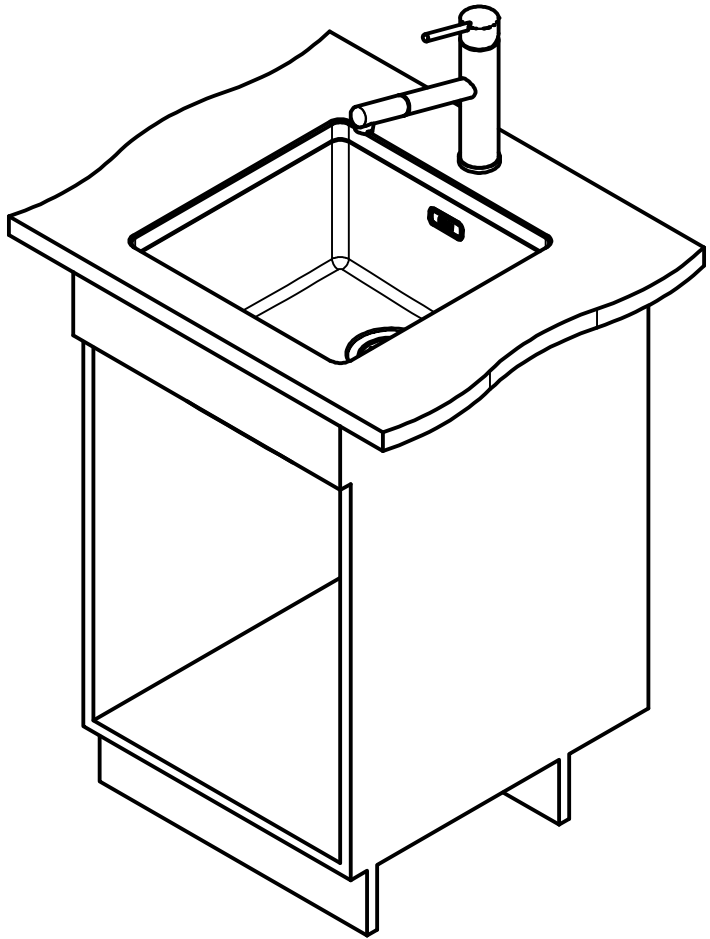
Drawing No.	20214916_02	Revision	A
Drawn Date	01.09.2021		
These drawings and specifications are the property of Franke Technology and Trademark Ltd., Hergiswil, Switzerland.			



FEX 110-40 SI
installing document

Sheet	Sheets
5	6

ISO



Drawing No.	20214916_02	Revision	A
Drawn Date	01.09.2021		
These drawings and specifications are the property of Franke Technology and Trademark Ltd., Hergiswil, Switzerland.			



FEX 110-40 SI
installing document

Sheet	Sheets
6	6