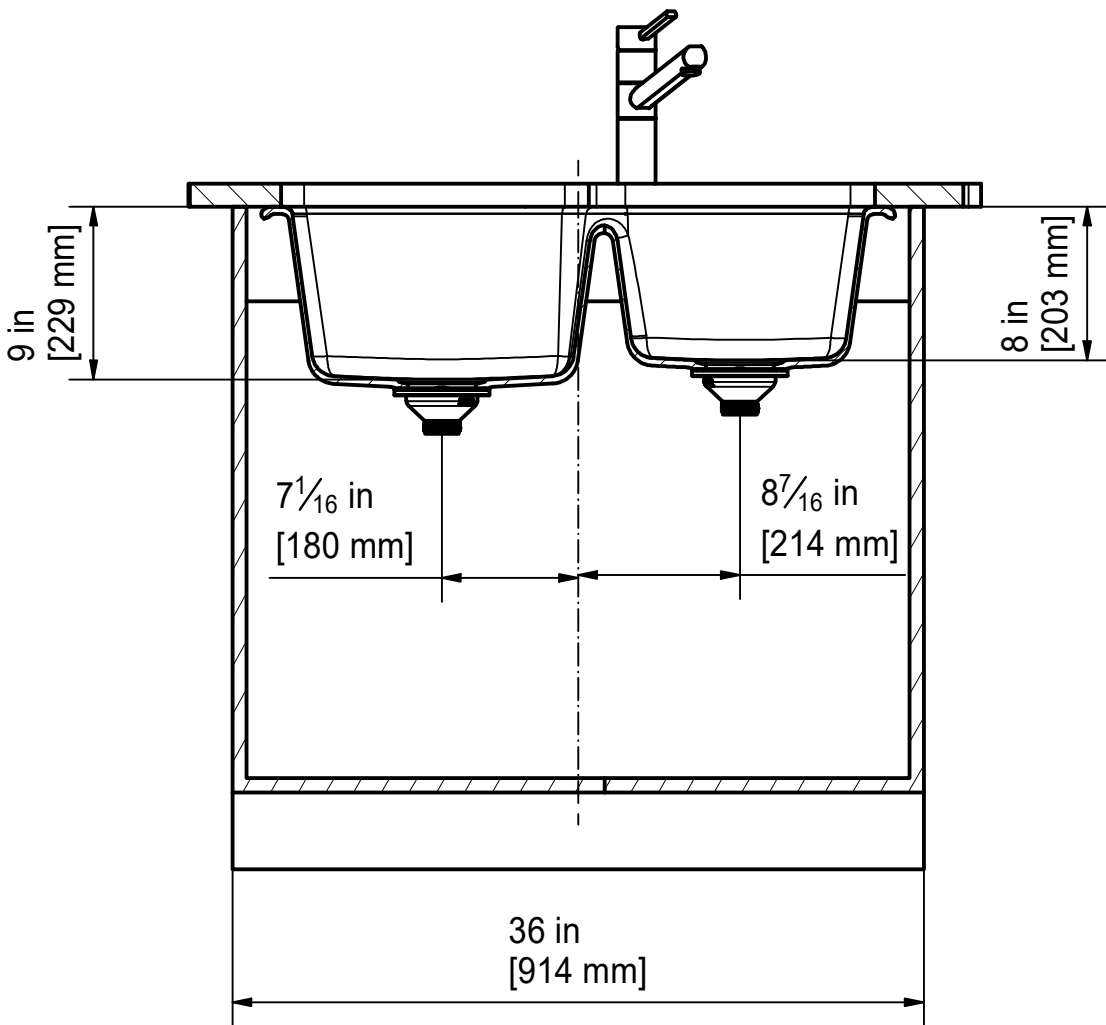


DF



Drawing No.	20137969_02	Revision	A
Drawn Date	15.04.2019		
<small>These drawings and specifications are the property of Franke Technology and Trademark Ltd. and shall not be reproduced, copied or transferred to any third party without the prior written permission of Franke Technology and Trademark Ltd., Hergiswil, Switzerland</small>			

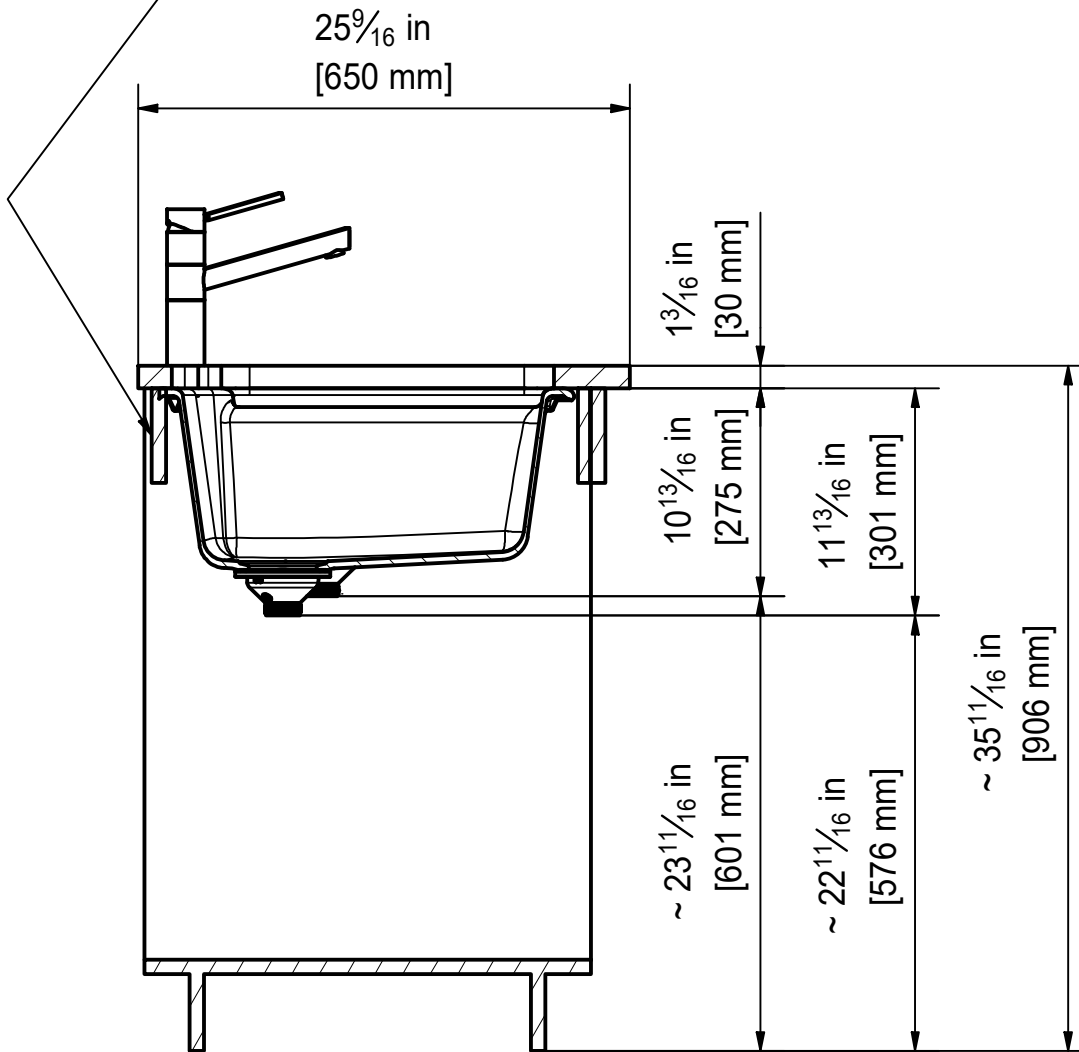
Franke Küchentechnik AG
CH-4663 Aarburg
Phone: +41 62 787 31 31
Internet: www.franke.com

ELG 120-40-33
installing document

Sheet	Sheets
1	7

DS

Remove rear vertical support when installing the sink.



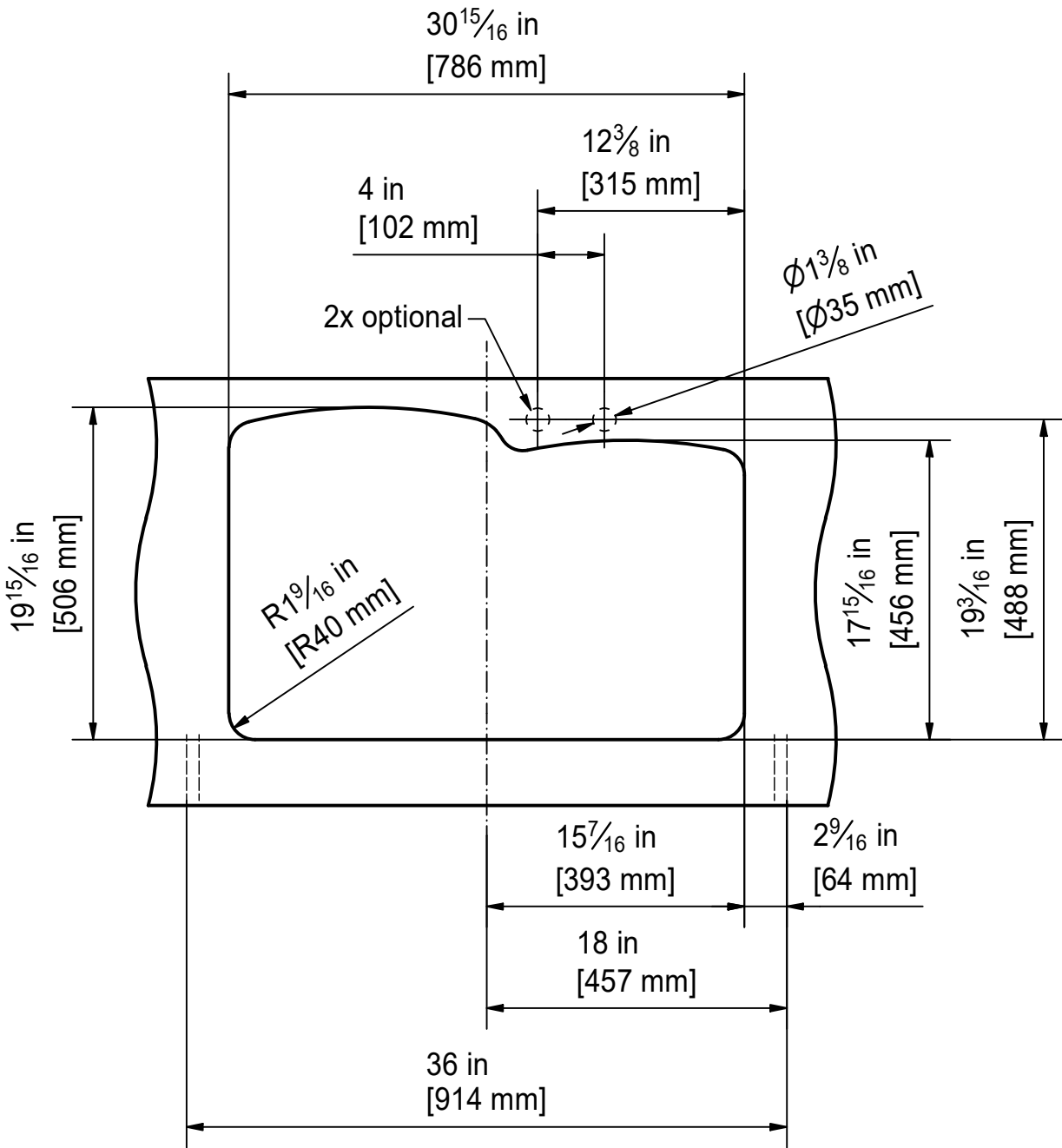
Drawing No.	20137969_02	Revision	A
Drawn Date	15.04.2019		
<small>These drawings and specifications are the property of Franke Technology and Trademark Ltd. and shall not be reproduced, copied or transferred to any third party without the prior written permission of Franke Technology and Trademark Ltd., Hergiswil, Switzerland</small>			

Franke Küchentechnik AG
CH-4663 Aarburg
Phone: +41 62 787 31 31
Internet: www.franke.com

ELG 120-40-33
installing document

Sheet	Sheets
2	7

CO



Drawing No.	20137969_02	Revision	A
Drawn Date	15.04.2019		
<small>These drawings and specifications are the property of Franke Technology and Trademark Ltd. and shall not be reproduced, copied or transferred to any third party without the prior written permission of Franke Technology and Trademark Ltd., Hergiswil, Switzerland</small>			

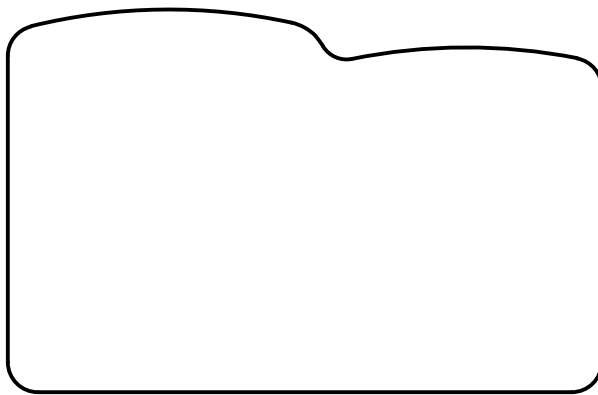
Franke Küchentechnik AG
 CH-4663 Aarburg
 Phone: +41 62 787 31 31
 Internet: www.franke.com

ELG 120-40-33

installing document

Sheet	Sheets
3	7

CNC



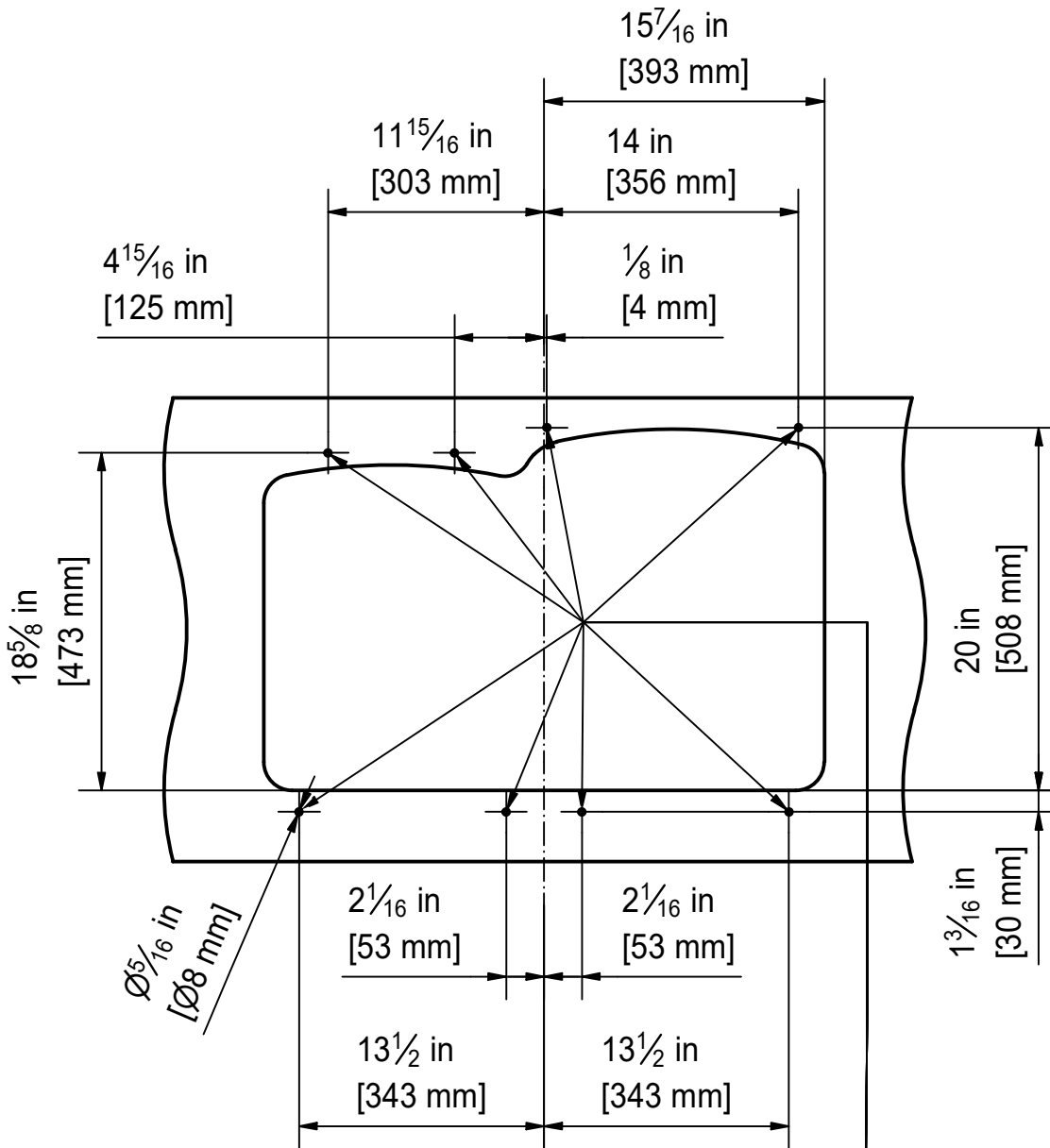
Drawing No.	20137969_02	Revision	A
Drawn Date	15.04.2019		
<small>These drawings and specifications are the property of Franke Technology and Trademark Ltd. and shall not be reproduced, copied or transferred to any third party without the prior written permission of Franke Technology and Trademark Ltd., Hergiswil, Switzerland</small>			

Franke Küchentechnik AG
CH-4663 Aarburg
Phone: +41 62 787 31 31
Internet: www.franke.com

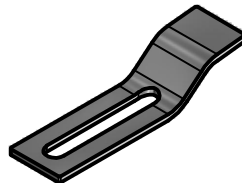
ELG 120-40-33
installing document

Sheet	Sheets
4	7

FP



8x UM bracket: 112.0266.512



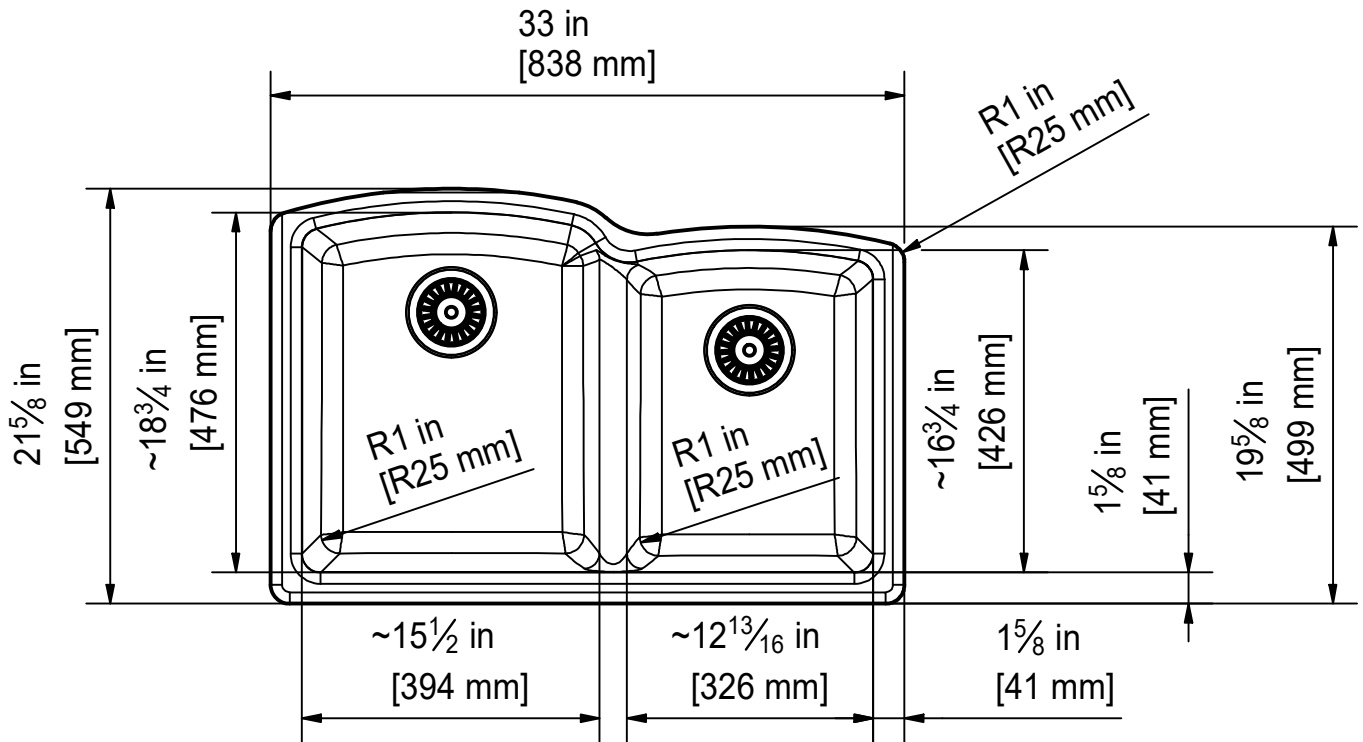
Drawing No.	20137969_02	Revision	A
Drawn Date	15.04.2019		
<small>These drawings and specifications are the property of Franke Technology and Trademark Ltd. and shall not be reproduced, copied or transferred to any third party without the prior written permission of Franke Technology and Trademark Ltd., Hergiswil, Switzerland</small>			

Franke Küchentechnik AG
 CH-4663 Aarburg
 Phone: +41 62 787 31 31
 Internet: www.franke.com

ELG 120-40-33
 installing document

Sheet	Sheets
5	7

DT



Drawing No.	20137969_02	Revision	A
Drawn Date	15.04.2019		
<small>These drawings and specifications are the property of Franke Technology and Trademark Ltd. and shall not be reproduced, copied or transferred to any third party without the prior written permission of Franke Technology and Trademark Ltd., Hergiswil, Switzerland</small>			

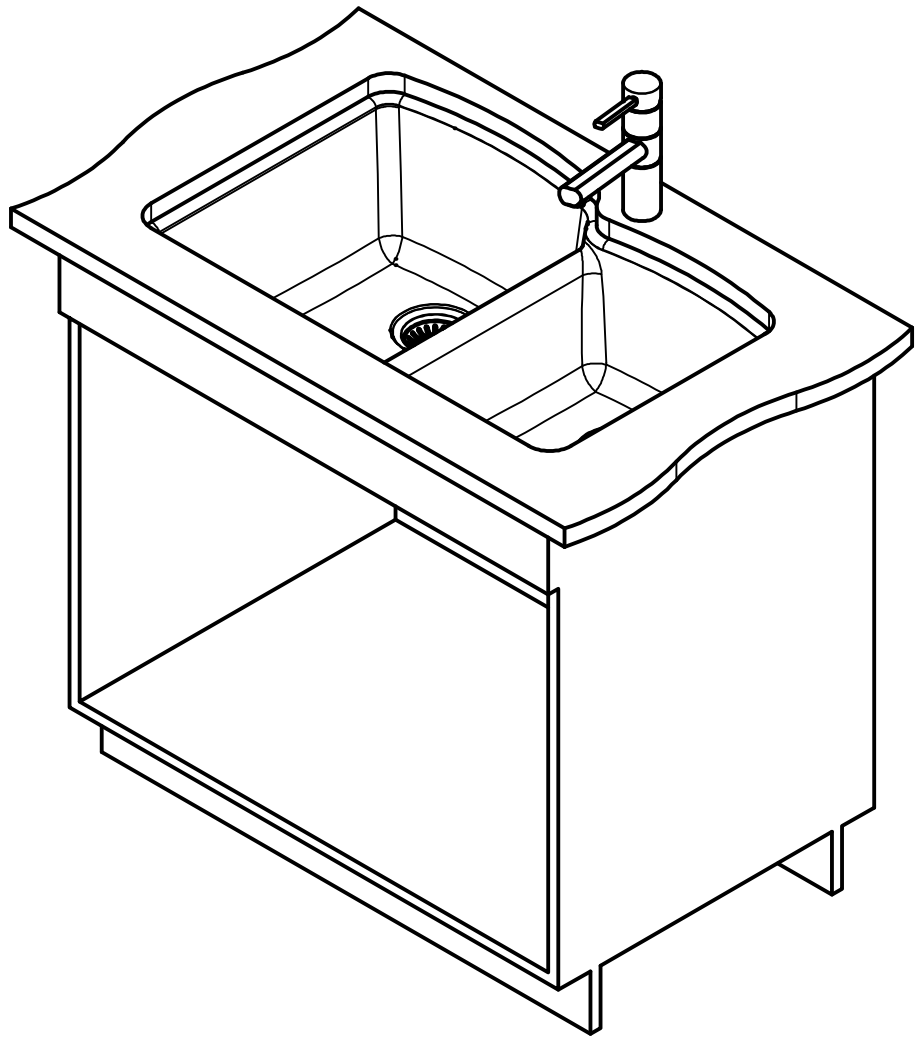
Franke Küchentechnik AG
CH-4663 Aarburg
Phone: +41 62 787 31 31
Internet: www.franke.com

ELG 120-40-33

installing document

Sheet	Sheets
6	7

ISO



Drawing No.	20137969_02	Revision	A
Drawn Date	15.04.2019		
<small>These drawings and specifications are the property of Franke Technology and Trademark Ltd. and shall not be reproduced, copied or transferred to any third party without the prior written permission of Franke Technology and Trademark Ltd., Hergiswil, Switzerland</small>			

Franke Küchentechnik AG
CH-4663 Aarburg
Phone: +41 62 787 31 31
Internet: www.franke.com

ELG 120-40-33
installing document

Sheet	Sheets
7	7