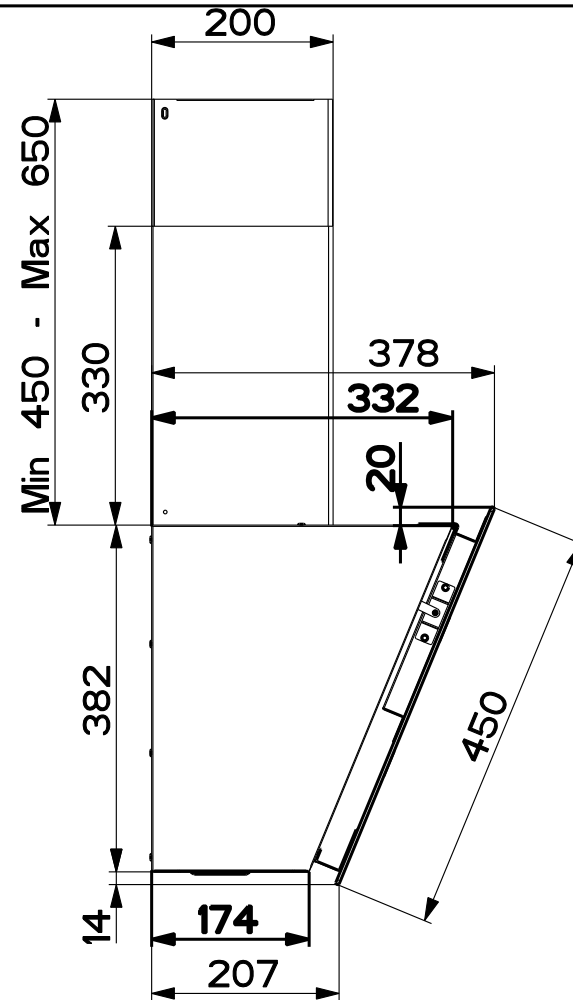
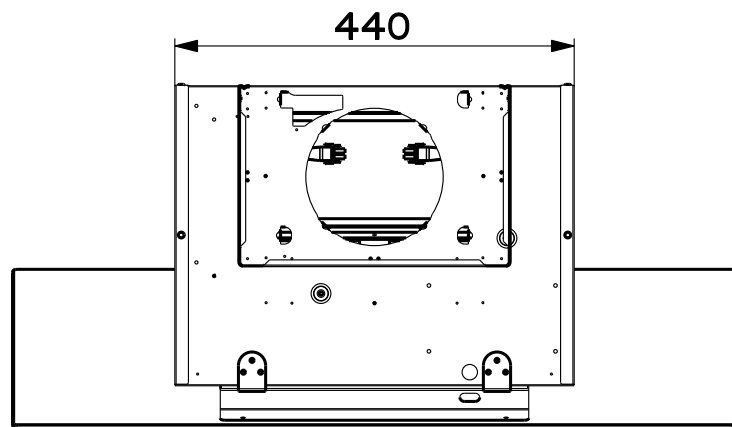
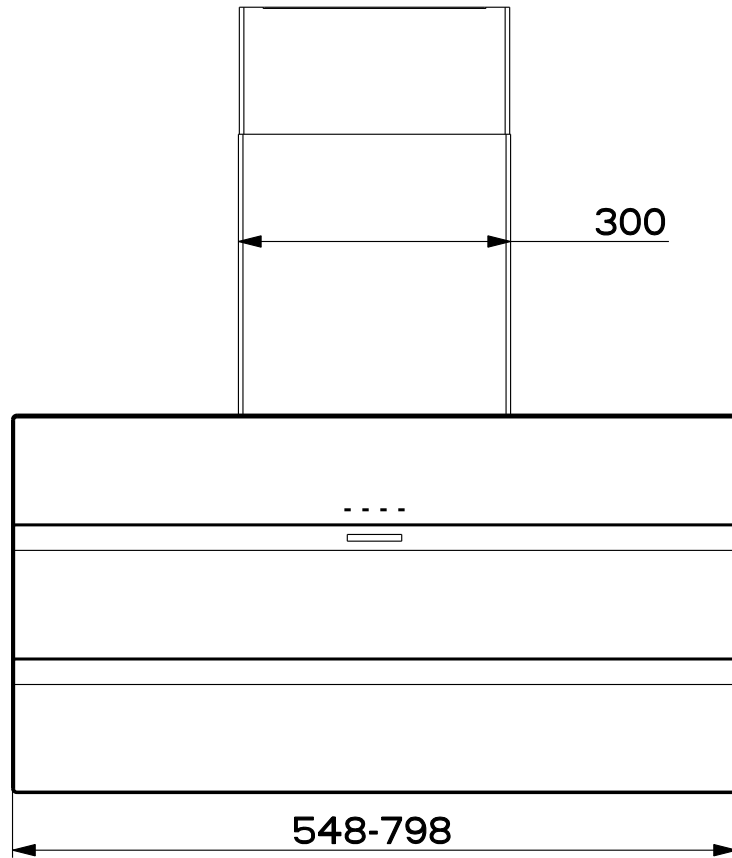



Created by Solutions	
Denomination	
DIMENSIONAL DRAWING STEELMAX	
Lang EN	Sheet 1/2
Modif.by	
Approved by Romani, Fabio	
Approval date 13-Jan-2016	
Doc. status Released	
Drawing N. 47A_797	Rev 01



Created by Solutions	
Denomination DIMENSIONAL DRAWING STEELMAX	
Lang EN 	Sheet 2/2
Modif.by	
Approved by Romani, Fabio	
Approval date 13-Jan-2016	
Doc. status Released	
Drawing N. 47A_797	Rev 01