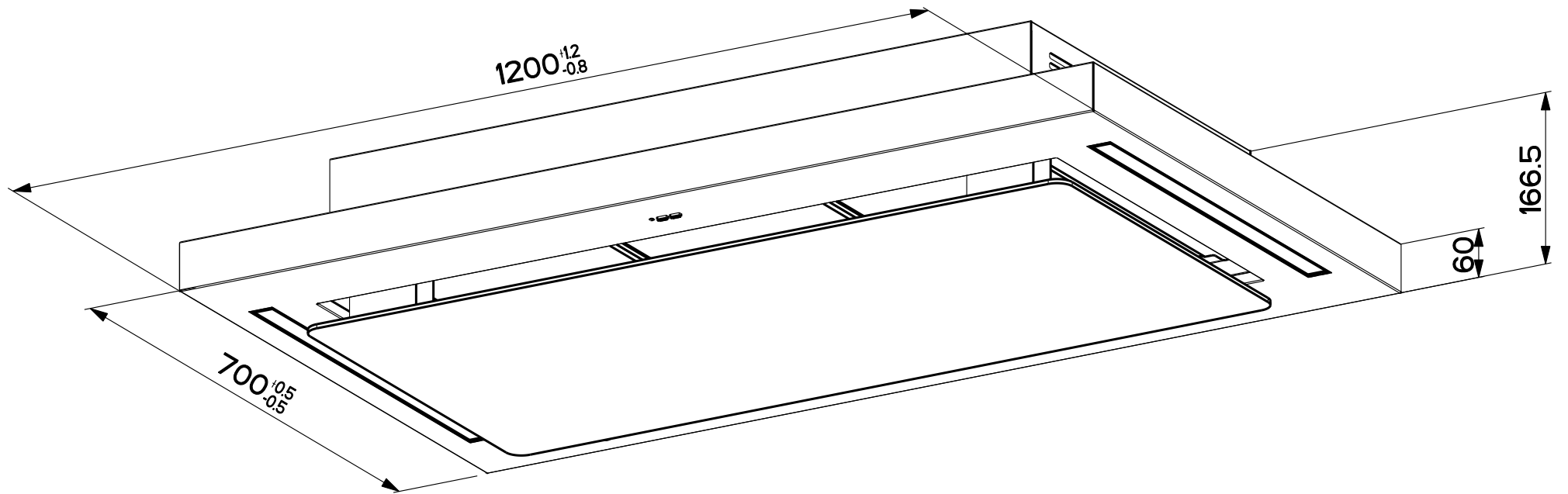



Created by <b>Solutions</b>	
Denomination	
<b>DIMENSIONAL DRAWING 54A 2M</b>	
Lang <b>EN</b>	Sheet <b>1/2</b>
Modif.by	
Approved by <b>Bellucci, Daniele</b>	
Approval date <b>10-Oct-2016</b>	
Doc. status <b>Released</b>	
Drawing N.	Rev
<b>54A_736</b>	<b>01</b>



Created by <b>Solutions</b>	
Denomination <b>DIMENSIONAL DRAWING 54A 2M</b>	
Lang <b>EN</b> 	Sheet <b>2/2</b>
Modif.by	
Approved by <b>Bellucci, Daniele</b>	
Approval date <b>10-Oct-2016</b>	
Doc. status <b>Released</b>	
Drawing N. <b>54A_736</b>	Rev <b>01</b>