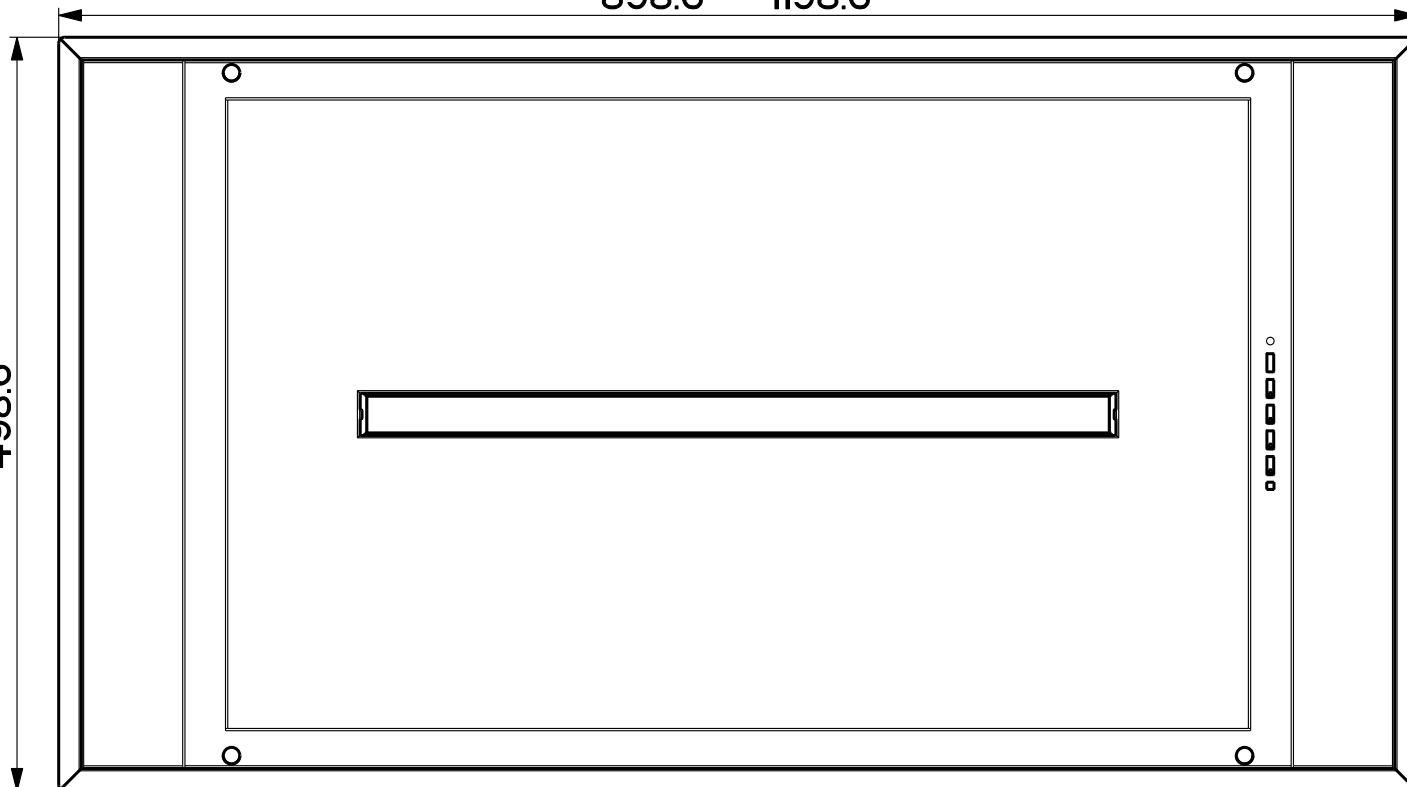


Created by <b>Bellucci, Daniele</b>	
Denomination <b>DIMENSIONAL DRAWING AIRLUX INOX</b>	
Lang <b>EN</b>	Sheet <b>1/2</b>
Modif.by <b>Bellucci, Daniele</b>	
Approved by <b>d_bellucci</b>	
Approval date <b>19-Nov-2013</b>	
Doc. status <b>Released</b>	
Drawing N. <b>59A_733</b>	Rev <b>01</b>

898.6 - 1198.6

498.6

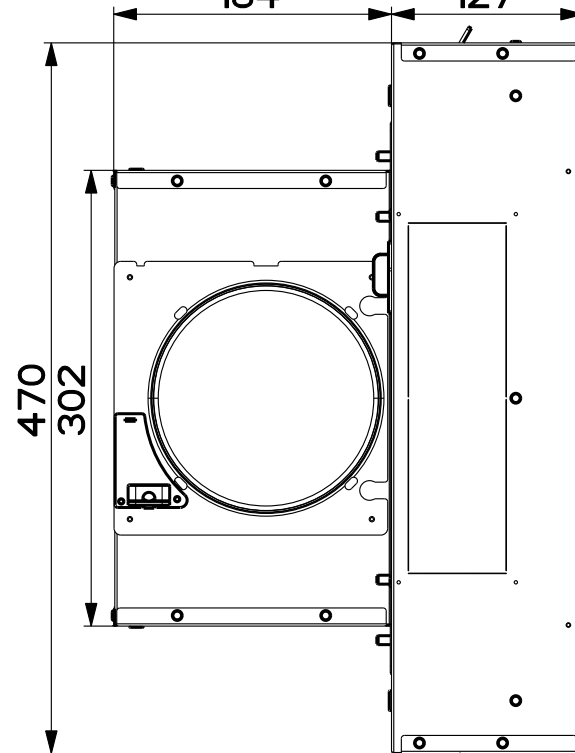


184

127

470

302



Min.55 - Max.75

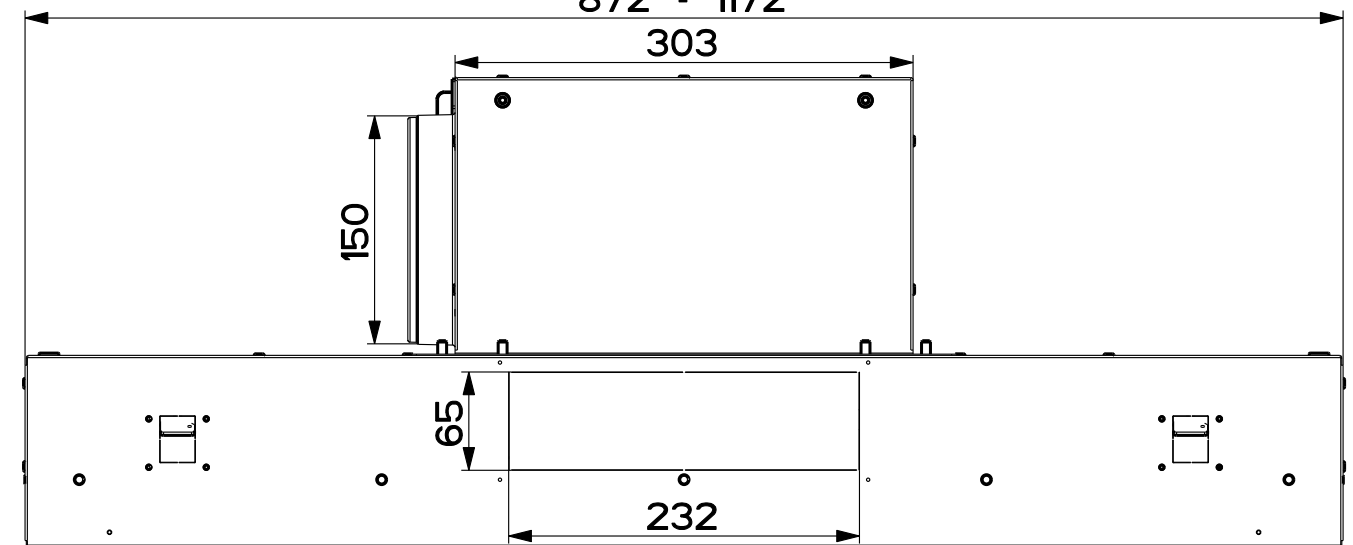
872 - 1172

303

150

65

232



Created by **Bellucci, Daniele**

Denomination

**DIMENSIONAL DRAWING AIRLUX INOX**

Lang **EN** Sheet **2/2**

Modif.by **Bellucci, Daniele**

Approved by **d\_bellucci**

Approval date **19-Nov-2013**

Doc. status **Released**

Drawing N.  
**59A\_733**

Rev  
**01**