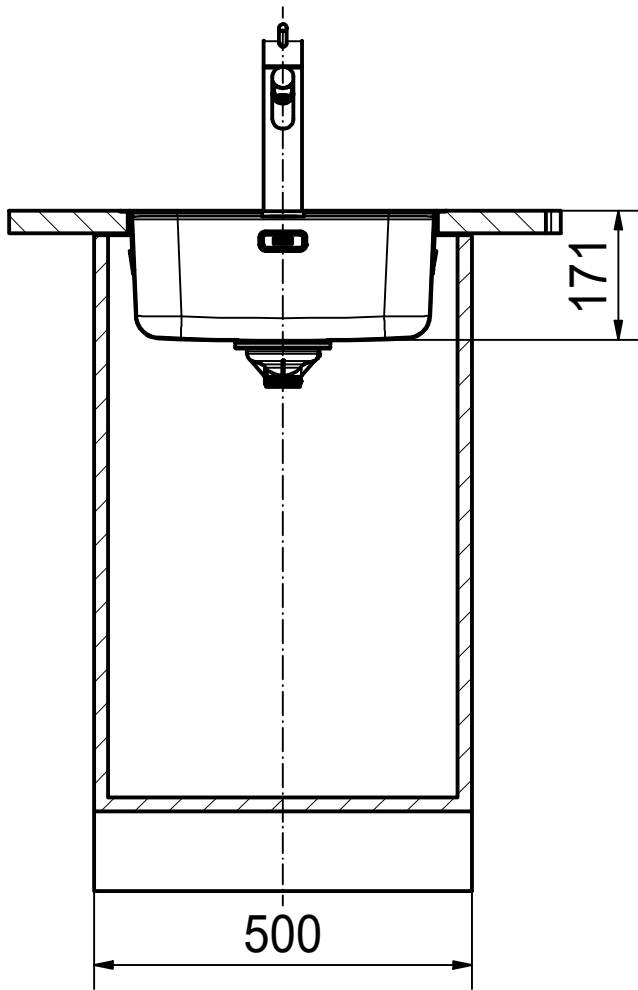


DF



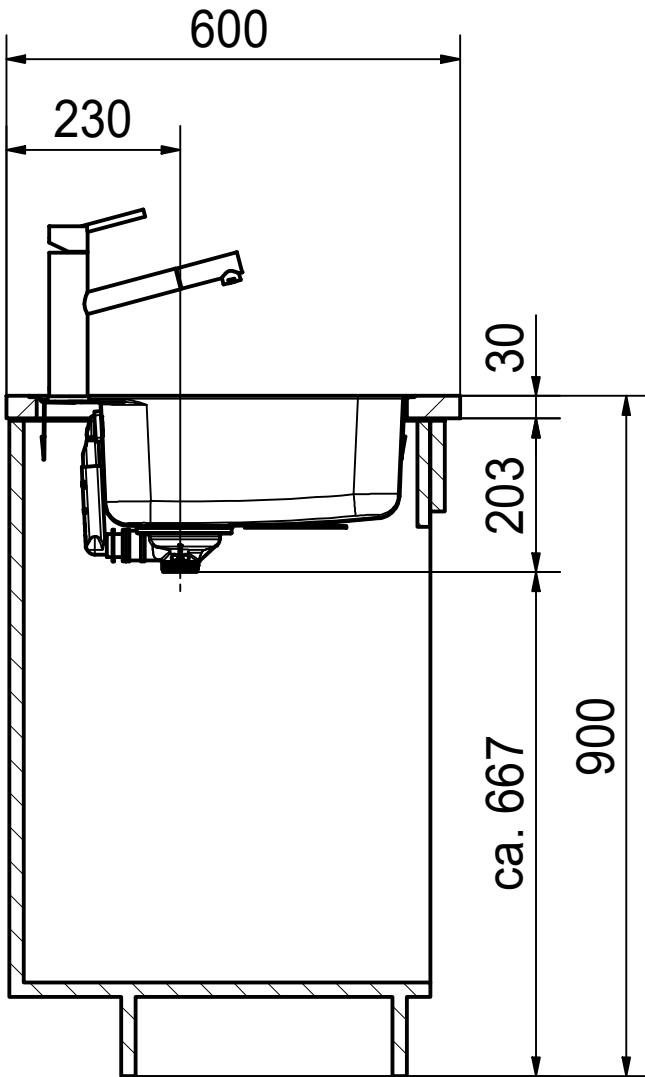
Drawing No.	20242697_03	Revision	B
Drawn Date	16.09.2022		
These drawings and specifications are the property of Franke Technology and Trademark Ltd., Hergiswil, Switzerland.			



SRX 210-40 TL SI
installing document

Sheet	Sheets
1	6

DS



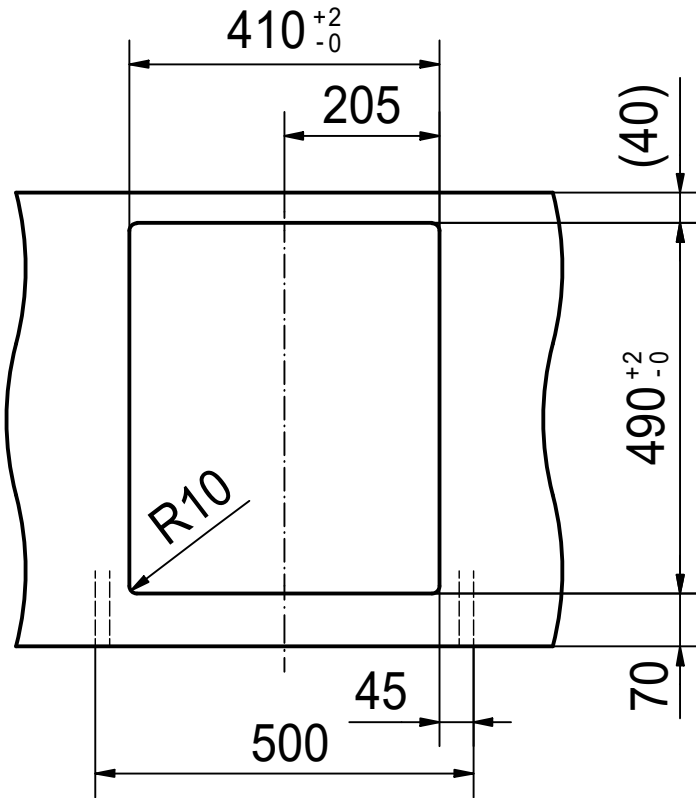
Drawing No.	20242697_03	Revision	B
Drawn Date	16.09.2022		
These drawings and specifications are the property of Franke Technology and Trademark Ltd., Hergiswil, Switzerland.			



SRX 210-40 TL SI
installing document

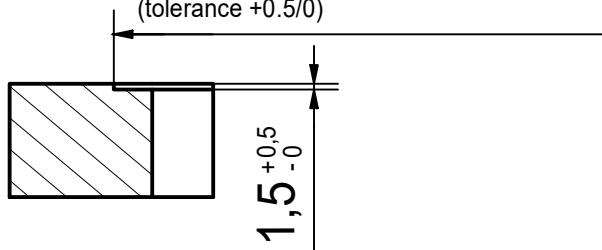
Sheet	Sheets
2	6

CO



for flush fit only
430.4 x 510.4 x R15.2

(tolerance +0.5/0)



Drawing No. 20242697_03

Revision B

Drawn Date 16.09.2022

FRANKE

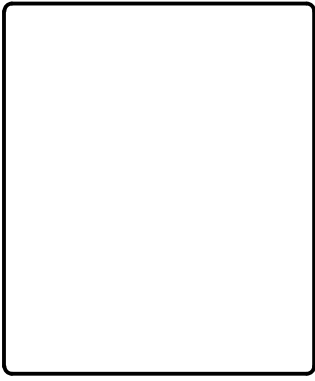
SRX 210-40 TL SI
installing document

Sheet Sheets

3 6

These drawings and specifications are the property of Franke Technology and Trademark Ltd., Hergiswil, Switzerland.

CNC



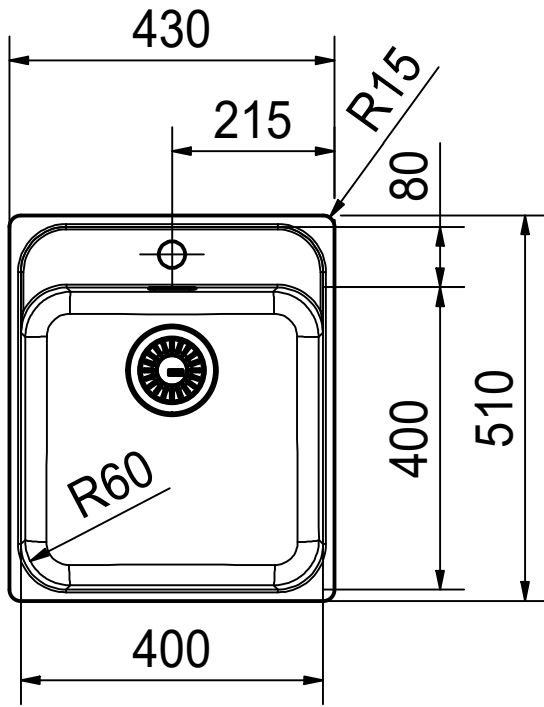
Drawing No.	20242697_03	Revision	B
Drawn Date	16.09.2022		
These drawings and specifications are the property of Franke Technology and Trademark Ltd., Hergiswil, Switzerland.			



SRX 210-40 TL SI
installing document

Sheet	Sheets
4	6

DT



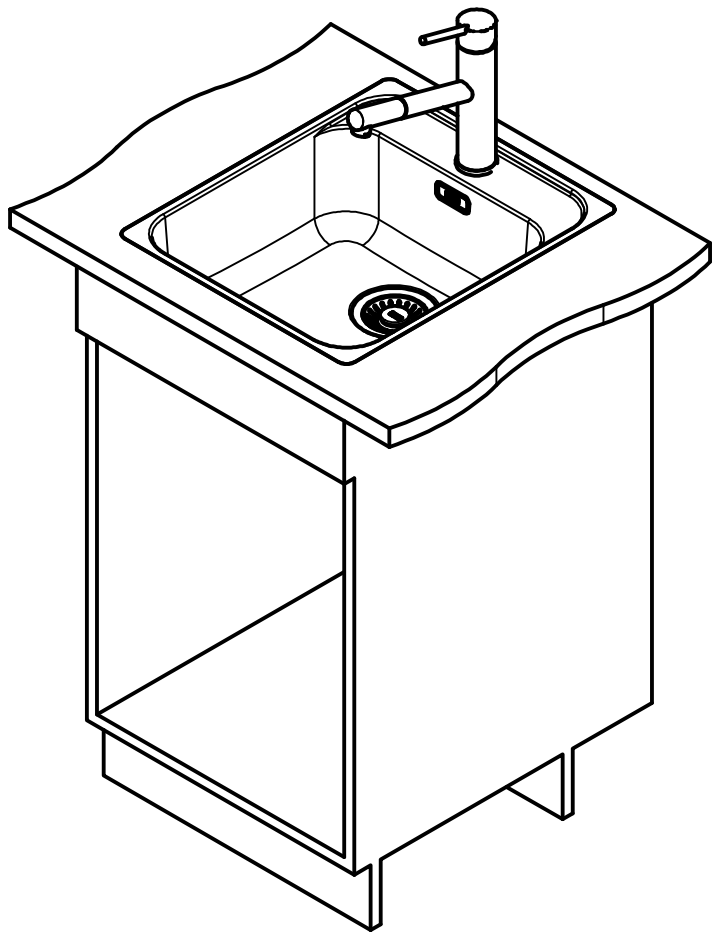
Drawing No.	20242697_03	Revision	B
Drawn Date	16.09.2022		
These drawings and specifications are the property of Franke Technology and Trademark Ltd., Hergiswil, Switzerland.			



SRX 210-40 TL SI
installing document

Sheet	Sheets
5	6

ISO



Drawing No.	20242697_03	Revision	B
Drawn Date	16.09.2022		
These drawings and specifications are the property of Franke Technology and Trademark Ltd., Hergiswil, Switzerland.			



SRX 210-40 TL SI
installing document

Sheet	Sheets
6	6