

# FRANKE KRIOS J TAP

Installation instructions



*Make  
it  
Wonderful*

**FRANKE**

## Technical data

Minimum water pressure: 7.25PSI (0.5 bar)

Maximum water pressure: 75PSI (5 bar)

Maximum hot water temperature: 70°C

Recommended hot water temperature: 65°C

**Note:** Exceeding these temperatures or water pressures can result in damage to the tap.

**A pressure reducing valve may be required to be fitted in high water pressure situations.**

## Attention

Before installing the new mixer it is essential that you thoroughly flush through the supply pipes in order to remove any remaining swarf, solder or other impurities.

Failure to carry out this simple procedure could cause problems or damage to the workings of the mixer.

Having first checked all new connections, turn on the mains stopcock, close all taps except the new mixer and as the system starts to refill check for leaks.

Once you have satisfied yourself that there are no leaks, switch on the water heating.

## Preparation

First shut off your water heating system then, with your mains stopcock closed, open the lowest hot and cold taps in the house and allow to run until the cold storage tank and pipes are empty (the hot water storage cylinder always remains full).

## Installation

First screw the threaded stud into the mixer body. Screw the tails into the mixer body and fully hand tighten.

After making any necessary alterations to existing pipework, pass the plinth over the tails and fit in position.

The shaped upstand on the plinth will locate in the tap body and the 'O' ring should be placed in the recess to make a seal with the sink.

When the tap is in position (with the cold side on the right when viewed from the front) slide the nylon bracing plate up to the underside of the sink together with the retaining plate, and secure by screwing the fixing nut finger tight.

Check that the mixer body and plinth are correctly positioned and fully tighten fixing nut.

It is recommended that 15mm x 15mm compression fittings be used to connect mixer to supply pipes. Cold is connected to the right and hot on the left when viewed from the front.

## Warning

These hints have been prepared for your guidance, you must exercise due care at all times. We do not accept responsibility for any problems that may occur through incorrect installation.

**NB:** If for any reason the spout is removed from the tap, care must be taken when reinserting the spout into the body to ensure that the Grub Screw is located in the split of the white PTFE ring.

## How to care for your tap

To maintain the appearance of this tap, ensure it is cleaned only using a clean, soft damp cloth. A solution of warm water and mild liquid detergent may be used where necessary, and then the fitting rinsed thoroughly. Abrasive cleaners or acidic cleaners **MUST NOT BE USED** under any circumstances.

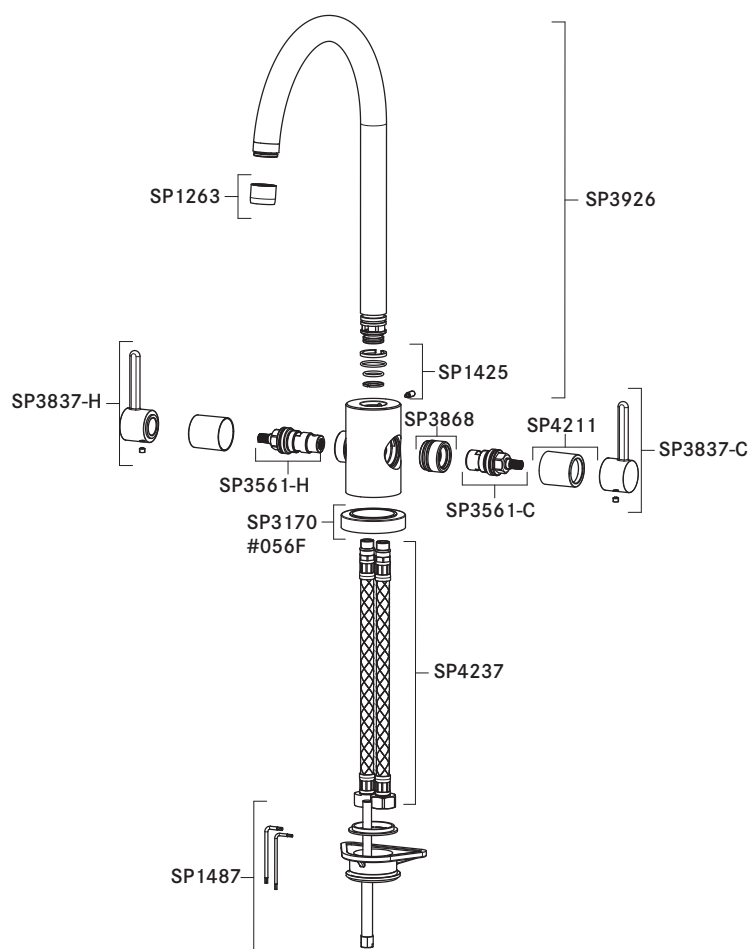
Avoid contact with all solvents.

## Parts list as follows

FUN number	Part name	Part code
133.0359.218	Spout Chrome	SP3926 CH
133.0359.219	Spout SilkSteel	SP3926 SS
133.0573.891	Spout Brass	SP3926 BR
133.0573.897	Spout Smoked Chrome	SP3926 SM
133.0573.913	Spout Gun Metal	SP3926 GP
133.0664.523	Spout Matt Black	SP3926 MB
133.0069.183	'O' ring kit	SP1425
133.0068.761	Aerator Chrome	SP1263 CH
133.0068.762	Aerator SilkSteel	SP1263 SS
133.0573.892	Aerator Brass	SP1263 BR
133.0573.898	Aerator Smoked Chrome	SP1263 SM
133.0573.914	Aerator Gun Metal	SP1263 GP
133.0664.469	Aerator Matt Black	SP1263 MB
133.0068.804	Plinth "Franke" Chrome	SP3170#056F CH
133.0068.805	Plinth "Franke" SilkSteel	SP3170#056F SS
133.0571.243	Plinth "Franke" Brass	SP3170#056F BR
133.0571.244	Plinth "Franke" Smoked Chrome	SP3170#056F SM
133.0573.915	Plinth "Franke" Gun Metal	SP3170#056F GP
133.0664.524	Plinth "Franke" Matt Black	SP3170#056F MB
133.0277.054	Hot handle Chrome	SP3837-H CH
133.0277.055	Cold handle Chrome	SP3837-C CH
133.0277.056	Hot handle SilkSteel	SP3837-H SS
133.0277.057	Cold handle SilkSteel	SP3837-C SS
133.0571.246	Hot handle Brass	SP3837-H BR
133.0571.249	Cold handle Brass	SP3837-C BR
133.0571.247	Hot handle Smoked Chrome	SP3837-H SM
133.0571.250	Cold handle Smoked Chrome	SP3837-C SM
133.0571.248	Hot handle Gun Metal	SP3837-H GP
133.0571.261	Cold handle Gun Metal	SP3837-C GP
133.0612.634	Hot handle Matt Black	SP3837-H MB
133.0612.635	Cold handle Matt Black	SP3837-C MB
133.0490.184	Valve cover Chrome	SP4211 CH
133.0490.185	Valve cover SilkSteel	SP4211 SS
133.0571.262	Valve cover Brass	SP4211 BR
133.0571.263	Valve cover Smoked Chrome	SP4211 SM
133.0571.264	Valve cover Gun Metal	SP4211 GP
133.0612.386	Valve cover Matt black	SP4211 MB
133.0312.538	Bush for valve	SP3868
133.0194.088	Hot valve	SP3561-H
133.0194.089	Cold valve	SP3561-C
133.0068.794	Fixing kit	SP1487
133.0570.623	Flexi-tails	SP4237

## Available finish

115.0567.598	Chrome
115.0567.599	SilkSteel
115.0567.600	Brass
115.0567.611	Smoked Chrome
115.0567.612	Gun Metal
115.0659.347	Matt Black



## Guarantee

Your Franke mixer has been manufactured to the high standard you would expect of any Franke product but in the unlikely event that you should experience any defect in the materials or workmanship within one year of purchase, we will replace the faulty part free of charge. This is provided the mixer has only been used for normal domestic purposes in the UK and that the care, installation and maintenance instructions have been observed.

You should also retain your dated invoice as proof of purchase to validate any claims under our guarantee.

This one year guarantee is extended to five years in the case of the valve mechanism.

Normal wear and tear is excluded from the guarantee.

Decorative surface finishes are guaranteed for one year from the date of purchase provided our advice concerning care has been observed and no scouring agents have been used.

Scuffs and scratches caused by improper installation or accidental damage are not covered by this guarantee. Neither are slight shade variations or any damage or defect caused by incorrect installation or abuse of the fitting.

## Service

For spare parts, servicing or any other queries, visit [www.franke.co.uk](http://www.franke.co.uk)

Franke UK Limited  
West Park, MIOC  
Styal Road  
Manchester  
M22 5WB  
Tel: +44 (0)161 436 6280  
Fax: +44 (0)161 436 2180  
Email [info.uk@franke.com](mailto:info.uk@franke.com)

For spare parts, servicing or any other queries, visit [www.franke.co.uk](http://www.franke.co.uk)

## Optional tap brace

A large or heavy tap fitted to a stainless steel inset sink may occasionally flex the sink. To counteract this, Franke has developed an innovative tap brace that can be purchased separately. The tap brace connects the tap to the worktop and not just to the sink, offering additional support to the tap and much more stability when fitted. The tap brace has a variable collar to ensure it will fit most models of tap and can be used on any inset stainless steel sink.

The Franke tap brace is available on request from most kitchen retailers.

