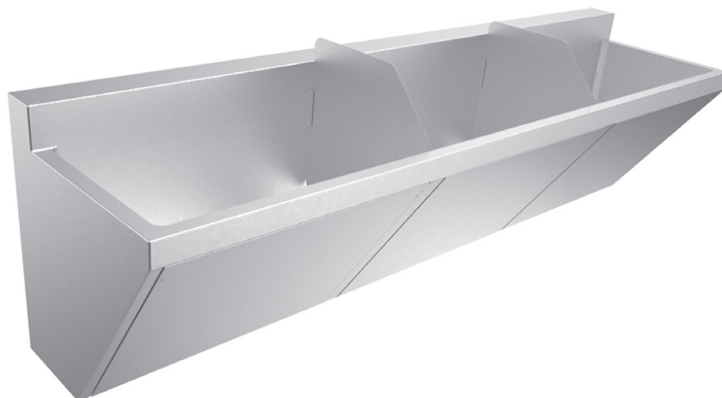


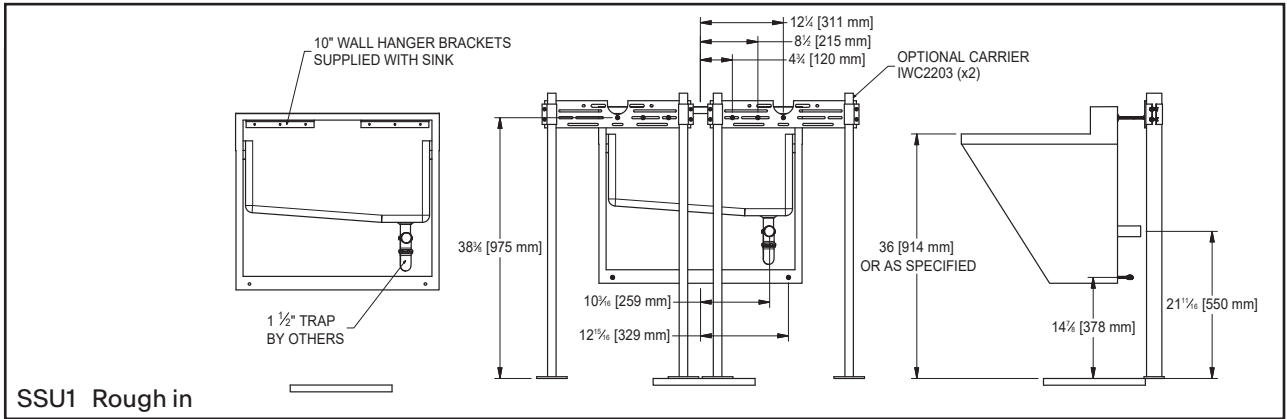
SSU1, SSU2, & SSU3 INSTALLATION INSTRUCTIONS



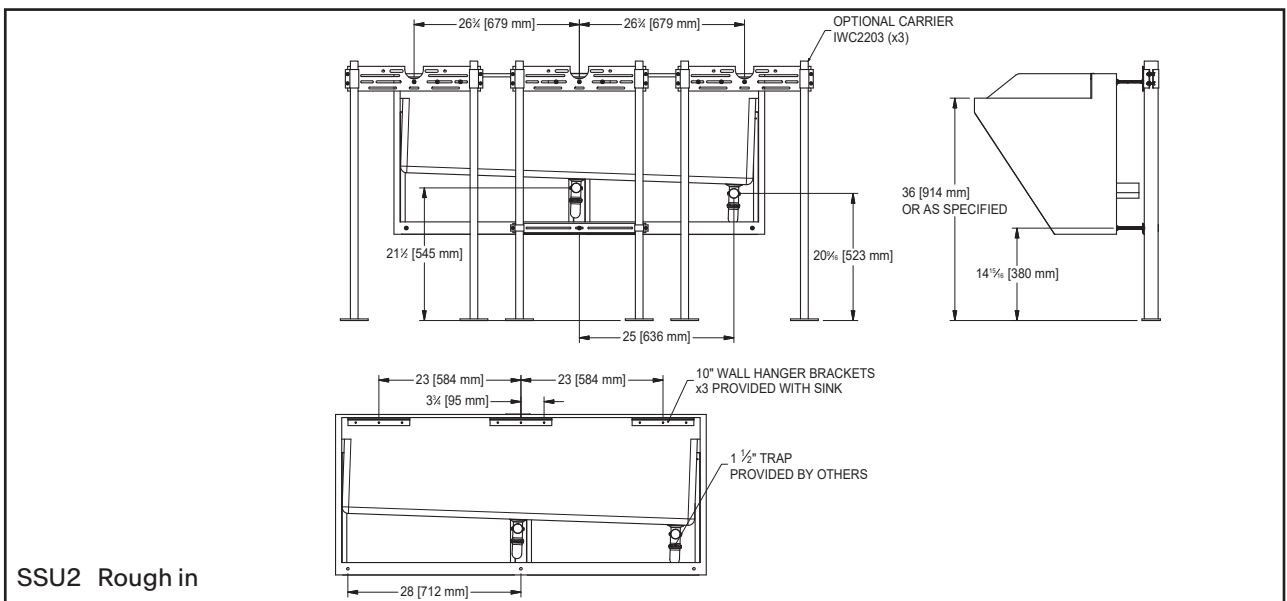
1

ROUGH INS

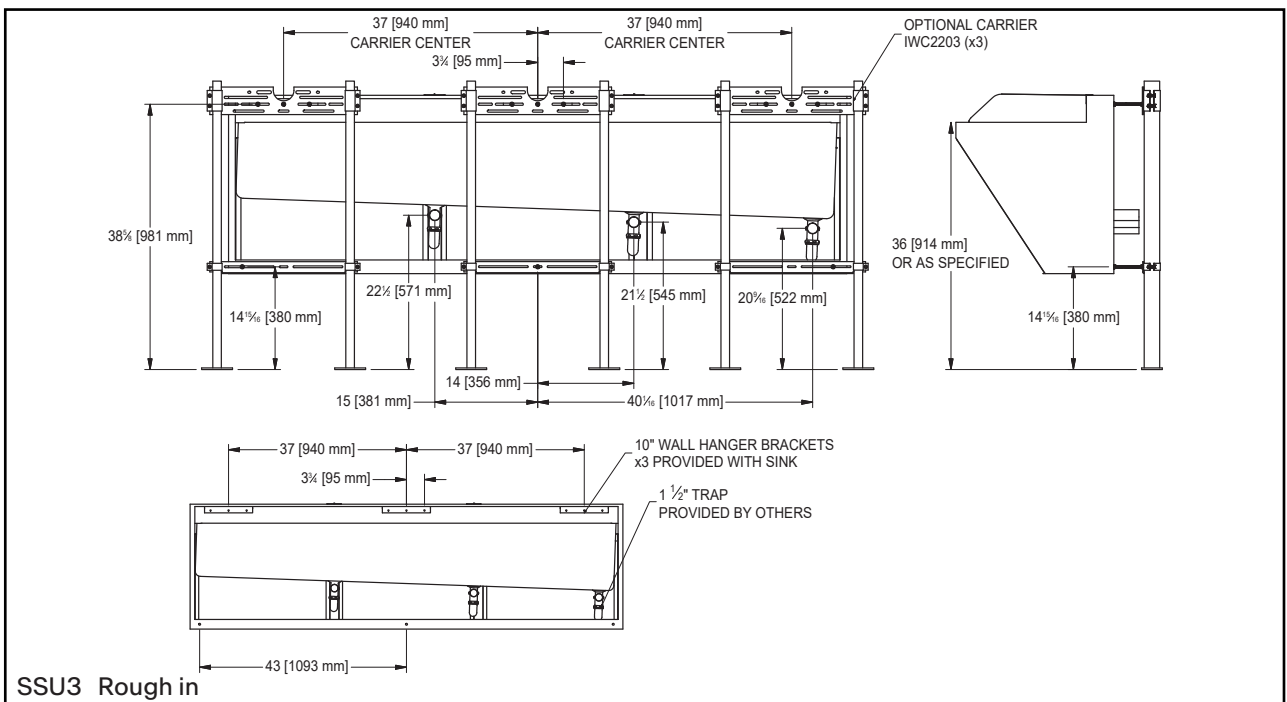
Sufficiently brace the wall or optional in-wall carriers IWC2203 are available. Sink is supplied with wall hanger brackets. Install on wall as per below.



SSU1 Rough in



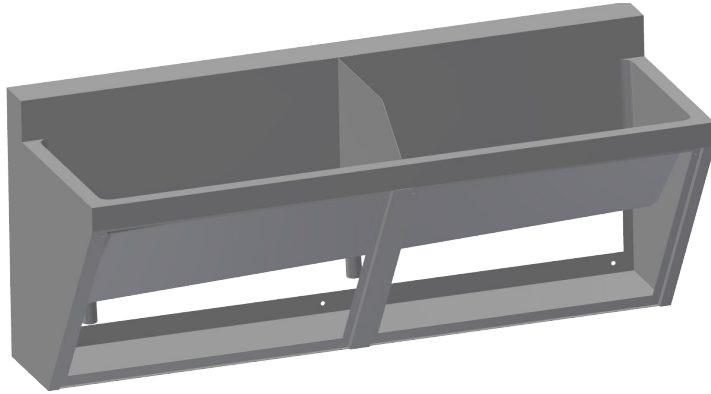
SSU2 Rough in



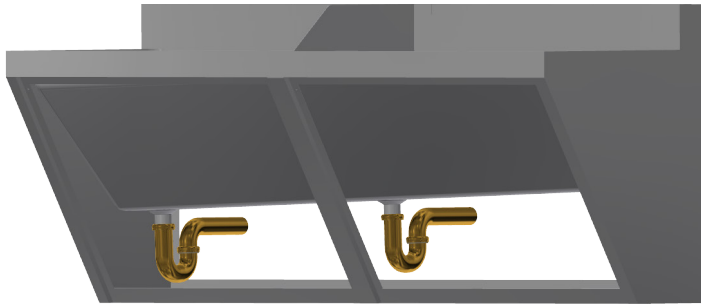
SSU3 Rough in

SSU1, SSU2, OR SSU3 INSTALLATION

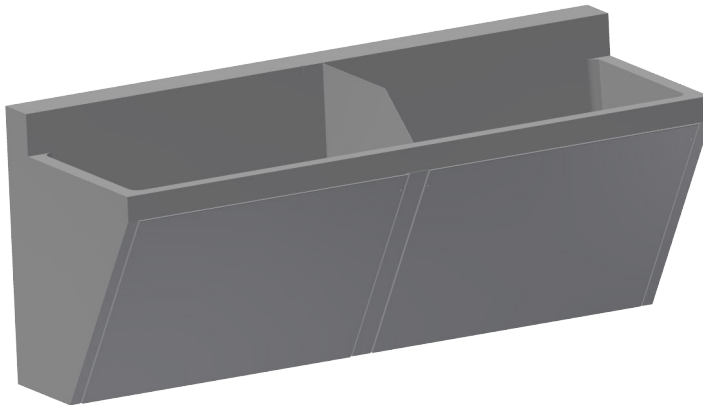
- 2** With the front panels off, hang the sink on the wall hanger brackets and secure to the wall using the lower mounting holes. The sink will be heavy, we recommended 2 people to lift into place. Secure to wall.



- 3** Complete the plumbing connections to the waste and faucets.



- 4** Once the faucet and waste(s) have been installed and tested, complete the installation by replacing the front covers.



FRANKE KINDRED CANADA LIMITED
1000 Franke Kindred Road
Midland, ON L4R4K9 | Canada

Contact us in Canada: Tel: 855-446-5663
Email: commercial-info.ca@franke.com
Contact us in USA: Tel: 855-526-0503
Email: commercial-info.us@franke.com

www.franke.com

