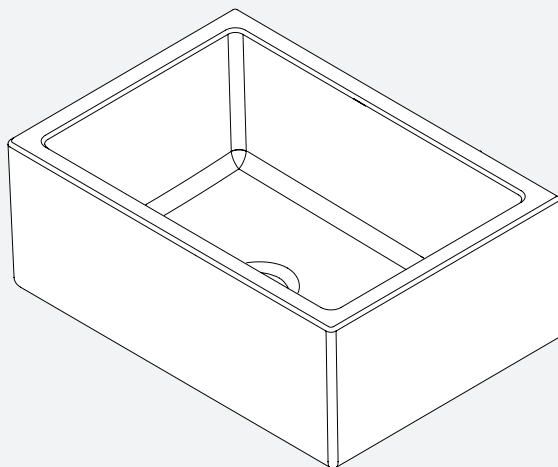


# FIRECLAY



EN Installation manual  
ES Manual de instalación  
FR Manuel d'installation

Fireclay  
Fraceram  
Argile Réfractaire

*Make  
it  
Wonderful*

**FRANKE**



# TABLE OF CONTENTS

---

General Advice	4
Overview	5
Installation Instructions	6
Farmhouse Drop-In Sinks	6
Farmhouse Undermount Sinks	9
Drop-In Sinks	12
Undermount Sinks	13
Cleaning And Maintenance	15

## GENERAL ADVICE

---

1. Unpack the sink and inspect for any shipping damage before starting the installation.

If damage is evident, do not install the sink. Contact the store where the sink was purchased.

2. Franke Kitchen Systems, LLC and Franke Kindred Canada accepts no liability for damage to the countertop, or sink fixture during installation.

3. Installation of this fireclay product requires custom cabinetry.

Franke Kitchen Systems, LLC and Franke Kindred Canada recommends that an experienced cabinet maker build the new cabinet, or is responsible for modifications to existing cabinets for this product.

Franke Kitchen Systems, LLC and Franke Kindred Canada accepts no liability for damage to the countertop, or sink fixture during installation.

4. Due to the nature of the fireclay manufacturing process, each sink produced will vary dimensionally. For this reason, no cut out templates are supplied. To ensure a proper fit between the sink and the cabinet, and any supporting framing, Franke Kitchen Systems, LLC and Franke Kindred Canada recommends providing the cabinet maker with the actual sink to be installed.

5. Always consult the manufacturers safety recommendations (safe practices and protective equipment) when using any power tools.

6. We recommend that in order to avoid personal injury, and to also

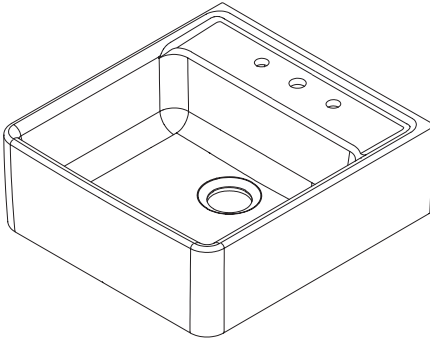
avoid potential damage to the sink, that a wood frame be designed and constructed to support a load of at least 300 pounds (this load estimate represents the weight of an average fireclay sink filled to capacity, and includes provision for any extra loading by a waste disposer). This wood frame will not be required for drop-in installations where the sink rim is mounted on top of the countertop.

7. Fireclay sinks can be heavy (depending on the configuration, they will vary from 20 to over 130 pounds). Please use assistance when lifting the sink in order to avoid personal injury.

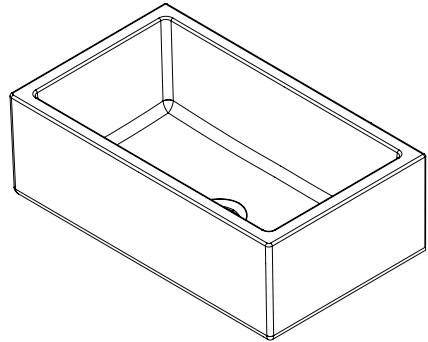
# OVERVIEW

---

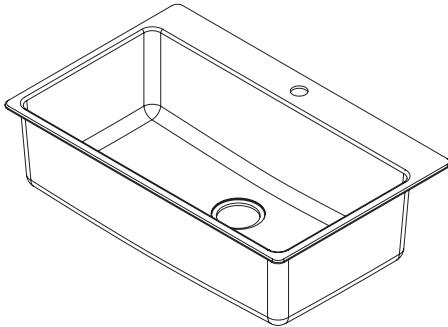
**Farmhouse Drop-In Sink**



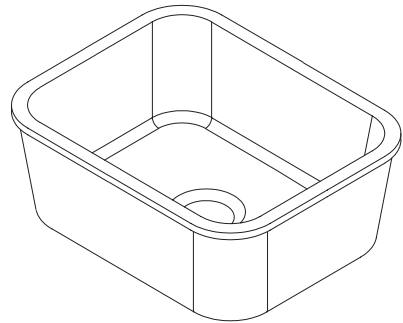
**Farmhouse Undermount Sink**



**Drop-In Sink**



**Undermount Sink**



## Tools Required

- Tape measure
- Pipe wrench
- Compass with pencil
- Router and sink trim bit
- Cardboard for template
- Keyhole or saber saw
- Clear silicone
- Center punch
- Pencil
- Drill with a #8 masonry drill
- Hammer
- Masking tape
- Flashlight
- Construction materials
- Drill with a 1 3/8" diamond hole saw

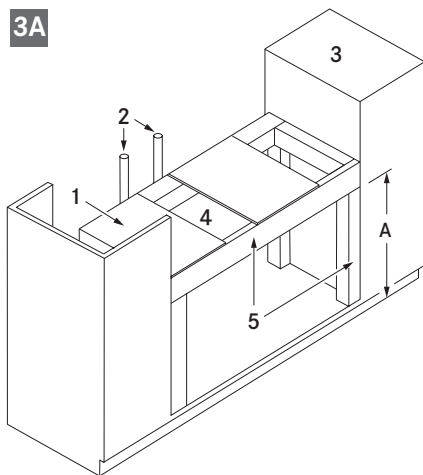
# INSTALLATION INSTRUCTIONS

## Farmhouse Drop-In Sinks

### 1. Build a Support Frame

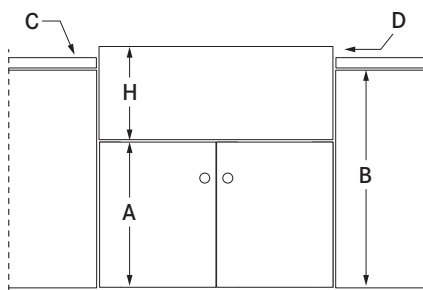
Build a wood support frame in the sink base cabinet unit (fig. 3A) at a dimension "A" above the floor (fig. 3B).

**3A**



- 1 - 1/2" Plywood
- 2 - Water Supply
- 3 - Cabinet
- 4 - Approx. 7" gap to allow for drain fittings
- 5 - 2" x 4" Wood Support Frame

**3B**



$$A = (B + C + D) - H$$

**C** - Countertop thickness

**D** - Space from top of countertop to top of sink.

## 2. Prepare the Template

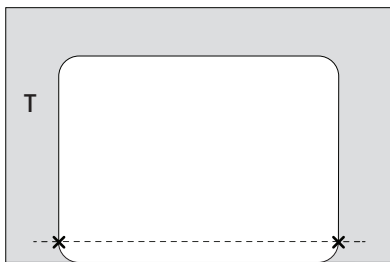
Lay the sink upside down on a piece of cardboard. Align the front of the sink with the front edge of the cardboard. Trace around the perimeter of the sink.

Remove the sink.

Draw an alignment mark at the end of the front radius on both sides (fig. 3C).

This mark will be used to align the template with base cabinetry when cutting out the countertop.

**3C**



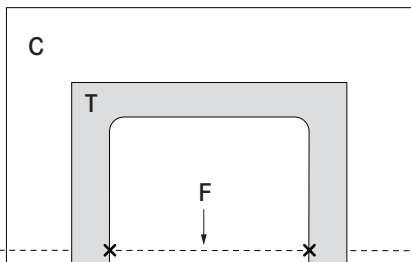
## 3. Prepare the Countertop

Position the countertop on the base cabinetry. Locate the template laterally to center the cut-out for the sink within the sink base cabinet unit.

Then locate the template “front-to-back” so that the alignment marks are in-line with the front face of adjacent cabinetry (fig. 3D-E).

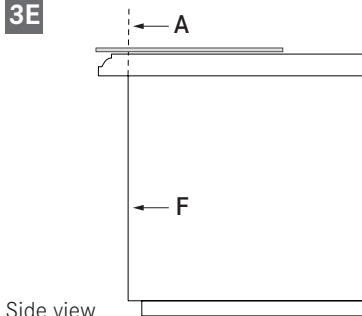
Trace the template onto the countertop. Remove the countertop, and then cut-out the sink opening. Check fit and finish of the cut-out relative to the sink, and adjust if necessary.

**3D**



Top view

**3E**



Side view

- A - Alignment mark
- C - Countertop
- T - Template
- F - Front of base cabinetry

## 4. Prepare the Sink

**⚠ Please exercise caution with respect to the prescribed next steps. Failure to follow these instructions may damage the sink.**

1. The sink shall be resting on the floor or a work bench at this point. The sink shall be supported from the underside of the sink bowl or basin. The sink shall not be installed into the countertop when following next steps.

2. Drill Holes for Faucet and Fittings (if necessary).

3. Apply masking tape to the top surface of the sink ledge.

4. The underside of the fireclay sink ledge has been prepared with an undercut for faucet and fitting holes. Determine the position of the holes required for the faucet and fittings that you have selected.

5. Transfer the centre position of each hole that has been selected. Measure the location of each hole relative to the back edge of the sink rim, and the lateral edge of the sink rim. Mark the centre of the hole onto the masking tape.

6. Measure twice to confirm position.

7. Position a centre punch on the mark that has been transferred, and strike with a hammer (this operation is intended to penetrate the surface glaze so that drilling of a locating hole is easier).

8. Drill a pilot (locating) hole from the top surface using a no. 8 masonry drill.

9. Enlarge the hole to the required size by striking the pilot hole location with a centre punch and hammer.

(Alternatively, the hole may be prepared by drilling with a 1 3/8" diameter diamond hole saw).

## Install Sink Strainers

We recommend installing the sink strainers at this point in the installation process. The installation process is much simpler with the sink accessible from all sides.

## Install Faucet and Fittings

We also recommend installing the faucet and any deck mounted fittings at this point in the installation process. The installation process is much simpler with the sink accessible from all sides.

## 5. Install the Sink

1. Place the countertop into position.

2. Carefully place the sink into position on the wooden support frame, and shim the sink to level if necessary.

3. Apply a bead of translucent silicone between the sink rim and the countertop. Clean up excess silicone with a solvent and clean wiper.

4. Connect drain assembly and supply fittings.

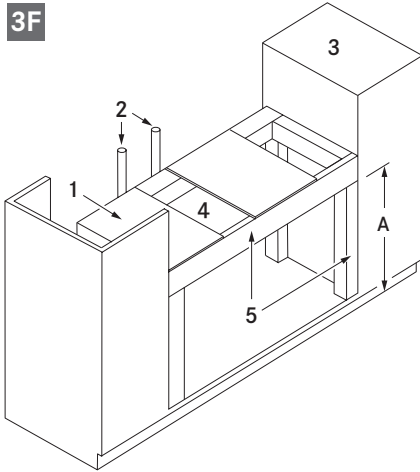


# Farmhouse Undermount Sinks

## 1. Build a Support Frame

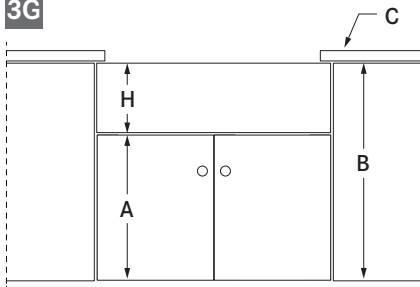
Build a wood support frame in the sink base cabinet unit (fig. 3F) at a dimension "A" above the floor (fig. 3G).

3F



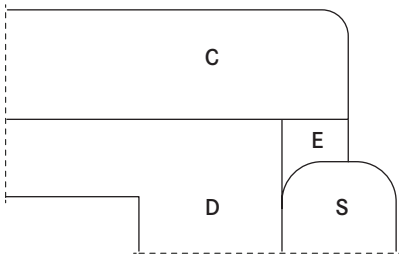
- 1 - 1/2" Plywood
- 2 - Water Supply
- 3 - Cabinet
- 4 - Approx. 7" gap to allow for drain fittings
- 5 - 2" x 4" Wood Support Frame

3G



$A = B - H$

3H

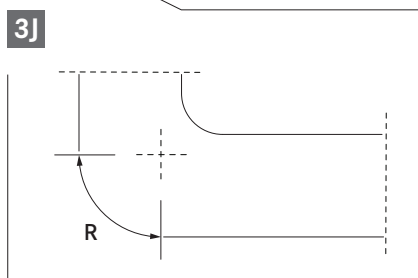
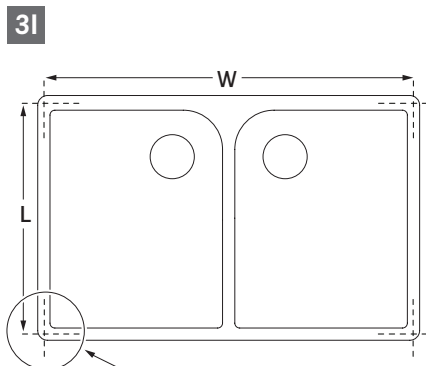


**⚠ NOTE:** Please consider and make allowance for the thickness of any edge treatment that surrounds the sink opening when determining dimension "A" (fig. 3H).

- C - Countertop
- D - Cabinet Base
- E - Edge Treatment
- S - Sink

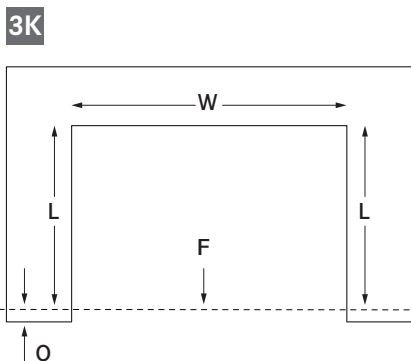
## 2. Measure the Sink

1. The cut-out opening for the sink will be determined by establishing dimensions L and W. These dimensions are measured from the centre of the sink rim (which should also be the high point of the sink rim).
2. Dimension W is measured from the centre of the sink rim on either side of the basin.
3. Dimension L is measured from the centre of the back rim to the start of the radius on the apron of the sink (the intent is to position the sink so that the start of the apron radius aligns with the front face of adjacent cabinetry).

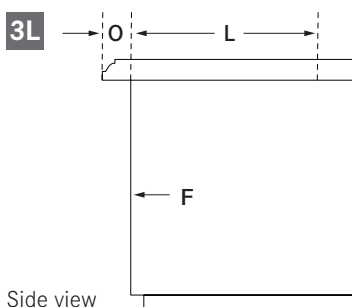


## 3. Prepare the Countertop

1. Transfer dimension W to the countertop such that the sink is positioned laterally within the sink base cabinet unit.
2. Transfer dimension L to the countertop. Then add the countertop front overhang to this dimension.
3. Scribe a desired radius in the two back corners of the cut-out.
4. Cut-out the sink opening.



Top view



Side view

**F** - Front of base cabinetry.

**O** - Overhang distance

**R** - Radius on the apron of the sink

## 4. Prepare the Sink

**⚠ Please exercise caution with respect to the prescribed next steps. Failure to follow these instructions may damage the sink.**

### Drill Holes for Faucet and Fittings (if necessary)

1. These instructions only apply to farmhouse undermount sinks where the faucet ledge is exposed, and the faucet may be mounted directly to the sink... otherwise the faucet and fittings will be installed directly onto the countertop behind the sink fixture.
2. The sink should be resting on the floor or a work bench at this point. The sink shall be supported from the underside of the sink bowl or basin. The sink shall not be installed into the countertop when following next steps.
3. Apply masking tape to the top surface of the sink ledge.
4. The underside of the fireclay sink ledge has been prepared with an undercut for faucet and fitting holes. Determine the position of the holes required for the faucet and fittings that you have selected.
5. Transfer the centre position of each hole that has been selected. Measure the location of each hole relative to the back edge of the sink rim, and the lateral edge of the sink rim. Mark the centre of the hole onto the masking tape.
6. Measure twice to confirm position.
7. Position a centre punch on the mark that has been transferred, and strike with a hammer (this operation is intended to penetrate the surface glaze so that drilling of a locating hole is easier).
8. Drill a pilot (locating) hole from

the top surface using a no. 8 masonry drill.

9. Enlarge the hole to the required size by striking the pilot hole location with a centre punch and hammer. (Alternatively, the hole may be prepared by drilling with a 1 3/8" diameter diamond hole saw).

### Install Sink Strainers

We recommend installing the sink strainers at this point in the installation process. The installation process is much simpler with the sink accessible from all sides.

### Install Faucet and Fittings

We also recommend installing the faucet and any deck mounted fittings at this point in the installation process (this would apply where the faucet and fittings are mounted to the sink ledge, or applications where the faucet and fittings are mounted directly to the countertop). The installation process is much simpler with the sink accessible from all sides.

## 5. Install the Sink

1. Carefully place the sink into position on the wooden support frame. Check the height of the sink rim, and shim the sink to level if necessary.
2. Apply a bead of translucent silicone along the centre of the sink rim.
3. Place the countertop into position and clean up excess silicone with a solvent and clean wiper.
4. Connect drain assembly and supply fittings.

## Drop-In Sinks

### 1. Prepare the Countertop

1. Place the sink upside down on top of the counter in the desired location. Be sure to make provision for mounting the faucet and fittings behind the sink, if this is the desired outcome.
2. Trace the outside edge of the sink rim using a pencil.
3. Remove the sink. Set a compass to 5/8" and scribe a line that is 5/8" inside the trace line.
4. Cut sink opening by following the scribe line (innermost line).

### 2. Prepare the Sink

#### Install Sink Strainers

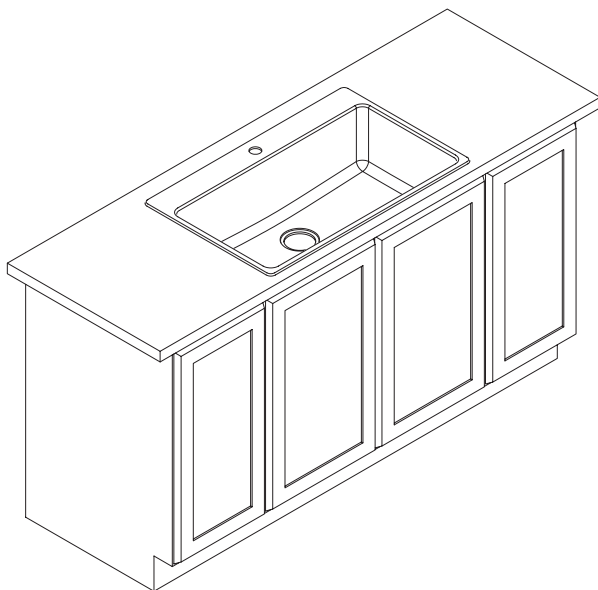
We recommend installing the sink strainers at this point in the installation process. The installation process is much simpler with the sink accessible from all sides.

#### Install Faucet and Fittings

We also recommend installing the faucet and any deck mounted fittings at this point in the installation process. The installation process is much simpler with the sink accessible from all sides.

### 3. Install the Sink

1. Apply a bead of translucent silicone around the sink cut-out.
2. Lower the sink into position and adjust to desired alignment with front edge of countertop. Clean up excess silicone with a solvent and clean wiper.
3. Connect drain assembly and supply fittings.

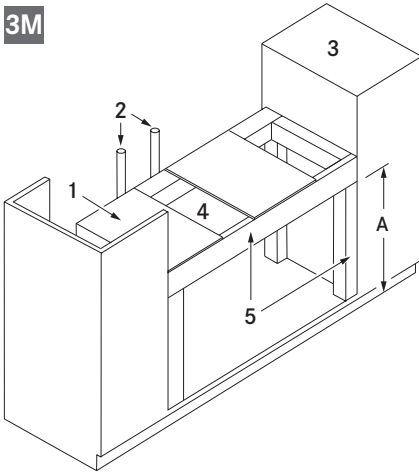


# Undermount Sinks

## 1. Build a Support Frame

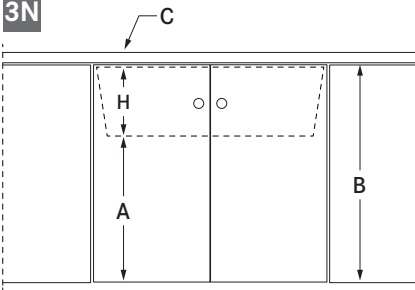
Build a wood support frame in the sink base cabinet unit (fig. 3M) at a dimension "A" above the floor (fig. 3N).

3M



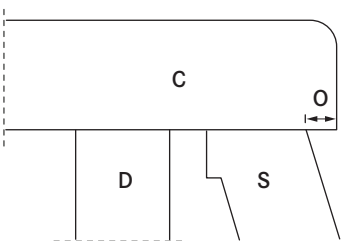
- 1 - 1/2" Plywood
- 2 - Water Supply
- 3 - Cabinet
- 4 - Approx. 7" gap to allow for drain fittings
- 5 - 2" x 4" Wood Support Frame

3N



$$A = B - H$$

3O

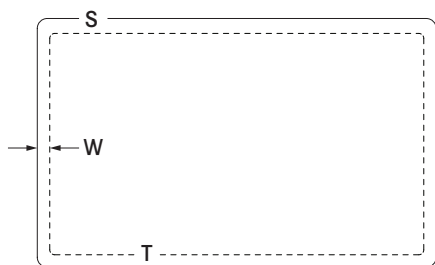


- C - Countertop
- O - Edge Treatment (1/4" Overhang)
- S - Sink
- D - Cabinet

## 2. Prepare the Template

1. Place the sink upside down on a piece of cardboard and trace the outside edge of the sink rim using a pencil.
2. Remove the sink and set right side up. Measure the width of the sink rim in several locations around the perimeter, and determine the nominal dimension.
3. Add  $\frac{1}{4}$ " to the nominal sink rim width dimension. This  $\frac{1}{4}$ " represents the overhang of the countertop into the sink bowl opening and this dimension can be increased if so desired (we do not recommend reducing this  $\frac{1}{4}$ " dimension since the sink does not have a predictable inside shape).
4. Set a compass to the sink rim width plus  $\frac{1}{4}$ ", and scribe a line that is inside the trace line (fig. 3P).
5. Cut out template by following the scribe line (innermost line).

**3P**



**S** - Trace around sink.

**W** - Sink rim width +  $\frac{1}{4}$ "

**T** - Template cut out line

## 3. Prepare the Countertop

1. Position the template on top of the counter in the desired location. Center the template within the sink base cabinet unit, and ensure provision is made for mounting faucet and fittings behind the sink.
2. Trace the outside edge of the template using a pencil.
3. Cut-out sink opening following the trace line.

## 4. Prepare the Sink

### Install Sink Strainers

We recommend installing the sink strainers at this point in the installation process. The installation process is much simpler with the sink accessible from all sides.

### Install Faucet and Fittings

It is also recommended to install the faucet and any deck mounted fittings at this point in the installation process. The installation process is much simpler with the sink accessible from all sides.

## 5. Install the Sink

1. Carefully place the sink into position on the wooden support frame.
2. Check the height of the sink rim, and shim the sink to level if necessary.
3. Apply a bead of translucent silicone along the centre of the sink rim.
4. Place the countertop into position and clean up excess silicone with a solvent and clean wiper.
5. Connect drain assembly and supply fittings.

## CLEANING AND MAINTENANCE

---

The new surface quality of Franke Fireclay Finish sets new standards in terms of easy care and hygiene. For everyday cleaning of your Fireclay kitchen sink, we recommend the use of a soft, nonscratching sponge or cloth. A standard liquid soap or vinegar-based cleaner is ideal, especially in areas with particularly hard water. For stubborn stains, cover with a piece of paper towel soaked in vinegar and leave to stand overnight. Specialist hardware shops also stock reliable limescale removers or vinegar based cleaner. Some stains can not be removed by the methods described above. In these cases it is recommended to use a non-abrasive liquid or cream bathroom cleaner. The following cleaning agents may scratch the ceramic surface and impair the unique properties of Franke Fireclay Finish:

- scouring liquid or scouring powder,
- highly concentrated drain cleaners,
- cleaners for tap fittings and steel.

### Further information

For any further information about our products, about the installation of them or about the guarantee, please contact our customer service department:

#### In the USA

**Franke Kitchen Systems**  
**800 Aviation Parkway**  
**Smyrna, TN 37167, USA**  
phone: **1-800-626-5771**  
website: **www.franke.us/ks**  
email: **ks-customerservice.us@franke.com**

#### In Canada

**Franke Kindred Canada**  
**1000 Franke Kindred Road**  
**Midland Ontario Canada**  
**L4R 4K9**  
phone: **1-866-687-7465**  
email: **www.franke.com/ca**





# ÍNDICE

---

Recomendaciones generales	18
Descripción general	19
Instrucciones de instalación	20
Fregaderos con chapa al frente para sobreponer	20
Fregaderos con chapa al frente para empotrar	23
Fregaderos para sobreponer	26
Fregaderos para empotrar	27
Limpieza y mantenimiento	29

## RECOMENDACIONES GENERALES

---

1. Desempaque el fregadero y revíselo para detectar cualquier daño durante el transporte antes de iniciar la instalación. Si tiene daños evidentes, no instale el fregadero. Contacte con la tienda donde compró el fregadero.

2. Franke Kitchen Systems, LLC y Franke Kindred Canada no aceptarán ninguna responsabilidad por daños a la cubierta o al soporte del fregadero durante la instalación.

3. La instalación de este producto de fraceram requiere de gabinetes hechos a medida.

Franke Kitchen Systems, LLC y Franke Kindred Canada recomiendan que sea un constructor experimentado de gabinetes quien elabore el gabinete nuevo, o que esté a cargo de las modificaciones de los gabinetes existentes para adaptar este producto. Franke Kitchen Systems, LLC y Franke Kindred Canada no aceptarán ninguna responsabilidad por daños a la cubierta o al soporte del fregadero durante la instalación.

4. Debido a la naturaleza de la fabricación de los productos de fraceram, cada fregadero tendrá variaciones en cuanto a sus dimensiones. Por este motivo no se proporcionan plantillas de recorte. Para asegurar un ajuste adecuado entre el fregadero, el gabinete y cualquier bastidor de soporte, Franke Kitchen Systems, LLC y Franke Kindred Canada recomiendan proporcionar al constructor de gabinetes el fregadero que se desea instalar.

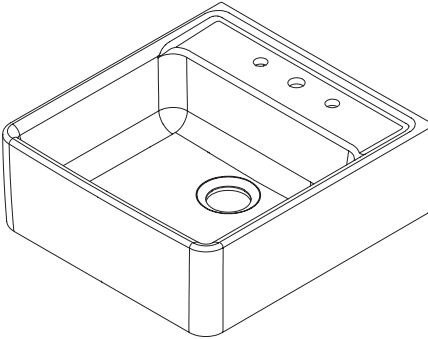
5. Siempre consulte las recomendaciones de seguridad del fabricante (en cuanto a prácticas de seguridad y equipo de protección) cuando use herramientas motorizadas.

6. Para evitar lesiones personales y daños al fregadero, recomendamos diseñar y construir una estructura de apoyo de madera con capacidad para al menos 136 kilogramos (esta carga representa el peso promedio de un fregadero de fraceram llenado a toda su capacidad, considerando la probable carga adicional de incluir un triturador de desperdicios). La estructura de apoyo de madera no se requiere para instalaciones para sobreponer, en las cuales el borde del fregadero queda montado sobre la cubierta.

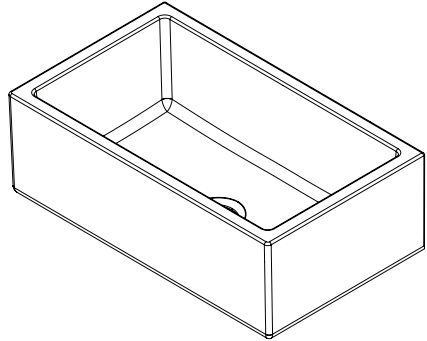
7. Los fregaderos de fraceram pueden ser muy pesados (dependiendo de la configuración, pueden variar desde 9 hasta más de 59 kilogramos). Para evitar lesiones, por favor, hágase ayudar por alguien cuando levante el fregadero.

# DESCRIPCIÓN GENERAL

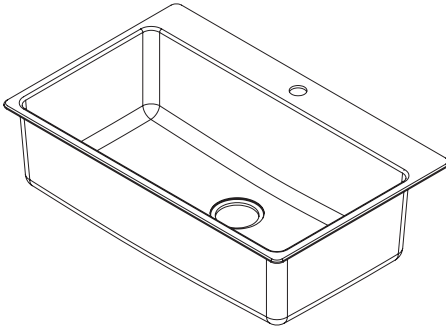
**Fregadero con chapa al frente para sobreponer**



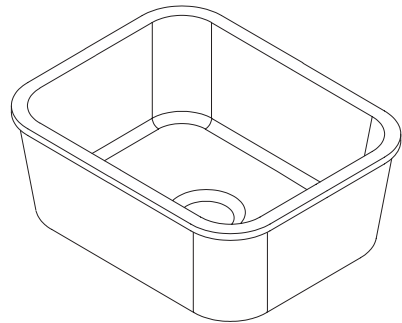
**Fregadero con chapa al frente para empotrar**



**Fregadero para sobreponer**



**Fregadero para empotrar**



## Herramientas requeridas

- Cinta métrica
- Llave Stillson
- Compás con lápiz
- Fresadora y cortador para fresado de fregadero
- Cartón para la plantilla
- Sierra caladora
- Silicón transparente
- Punzón

- Lápiz
- Taladro con broca para mampostería del número 8
- Martillo
- Cinta de enmascarar
- Linterna de mano
- Materiales de construcción
- Taladro con sierra de corona diamantada de 1 3/8"

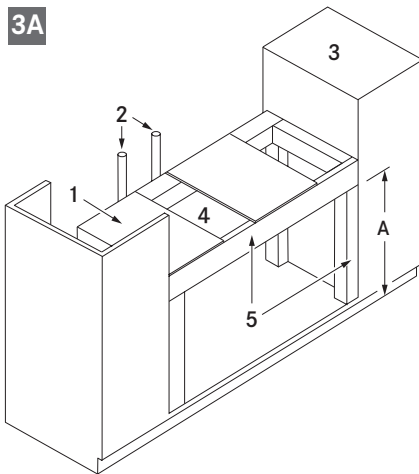
# INSTRUCCIONES DE INSTALACIÓN

## Fregaderos con chapa al frente para sobreponer

### 1. Construya una estructura de apoyo

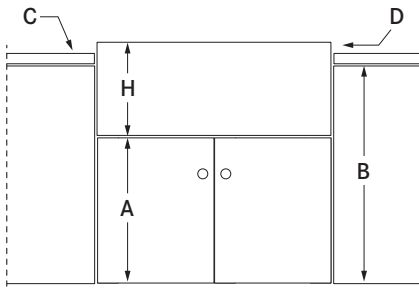
Construya una estructura de apoyo de madera en el gabinete que servirá de base para el fregadero (fig. 3A) a una altura "A" sobre el suelo (fig. 3B).

**3A**



- 1 - Madera terciada de 1/2"
- 2 - Suministro de agua
- 3 - Gabinete
- 4 - Espacio de 178 mm (7") aprox. para los conectores del desagüe
- 5 - Estructura de apoyo de madera de 50.8 x 101.6 mm (2" x 4")

**3B**



$$A = (B + C + D) - H$$

- C - Espesor de la cubierta
- D - Espacio desde la parte superior de la cubierta a la parte superior del fregadero.

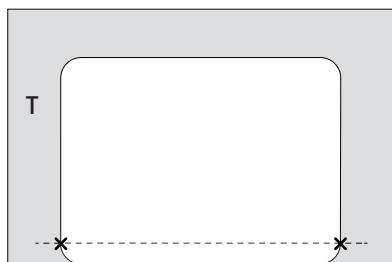
## 2. Prepare la plantilla

Coloque el fregadero boca abajo sobre un pedazo de cartón. Alinee el frente del fregadero con el borde frontal del cartón. Haga un trazo alrededor del perímetro del fregadero. Retire el fregadero.

Dibuje una marca de alineación en la unión entre los segmentos recto y semicircular frontales en ambos lados (fig. 3C).

Esta marca se usará para alinear la plantilla con el gabinete de base al cortar la cubierta.

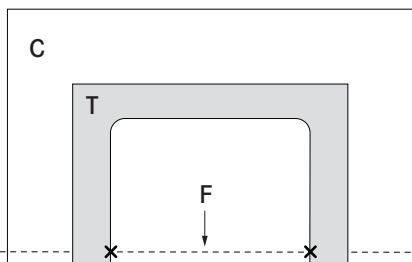
3C



## 3. Prepare la cubierta

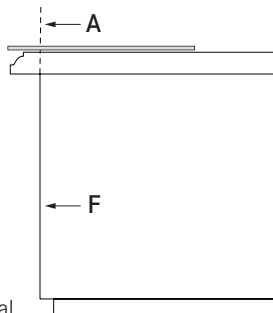
Coloque la cubierta sobre el gabinete de base. Posicione la plantilla lateralmente para centrar el recorte del fregadero sobre el gabinete de base. Posicione después la plantilla "del frente hacia atrás" para que las marcas de alineación queden alineadas con la cara frontal de los gabinetes adyacentes (fig. 3D-E). Haga un trazado de la plantilla en la cubierta. Retire la cubierta, y luego recorte la abertura para el fregadero. Compruebe el ajuste y dé el acabado al recorte con relación al fregadero, haciendo los ajustes necesarios.

3D



Vista superior

3E



Vista lateral

- A - Marca de alineación
- C - Cubierta
- T - Plantilla
- F - Frente del gabinete de base

#### 4. Prepare el fregadero

**⚠️ Tenga precaución al realizar los pasos que se indican a continuación. El no seguir estas instrucciones puede causar daños al fregadero.**

1. El fregadero deberá estar apoyado en el piso o en una mesa de trabajo en este punto. El fregadero debe estar soportado por la parte inferior de la tina o lavabo. El fregadero no deberá estar instalado en la cubierta cuando siga los pasos a continuación.
2. Realice las perforaciones para la llave y los conectores (de ser necesario).
3. Coloque cinta de enmascarar en el borde superior del borde del fregadero.
4. El lado inferior del borde del fregadero de fraceram se ha preparado con marcas en relieve para las perforaciones para llaves y conectores. Determine la posición de las perforaciones requeridas para la llave y los conectores que haya seleccionado.
5. Transfiera la posición del centro de cada perforación seleccionada. Mida la ubicación de cada perforación con respecto del borde trasero y del borde lateral del fregadero. Marque el centro de la perforación en la cinta de enmascarar.
6. Mida otra vez para confirmar la posición.
7. Coloque un punzón sobre la marca que se ha transferido, y golpéelo con un martillo (esta operación es para penetrar la superficie vitrificada y facilitar el proceso de realizar la perforación central).

8. Haga una perforación central desde la superficie superior usando una broca para mampostería del número 8.

9. Amplíe la perforación al tamaño requerido golpeando el lugar de la perforación central usando un punzón y un martillo. (Alternativamente, se puede preparar la perforación usando una sierra de corona diamantada de 1 3/8" de diámetro).

#### Instale los filtros del fregadero

Recomendamos instalar los filtros del fregadero en esta etapa del proceso de instalación. El proceso de instalación es mucho más simple cuando se tiene acceso al fregadero por todos lados.

#### Instale la llave y los conectores

También recomendamos instalar la llave y todos los conectores empotrados en esta etapa del proceso de instalación. El proceso de instalación es mucho más simple cuando se tiene acceso al fregadero por todos lados.

#### 5. Instale el fregadero

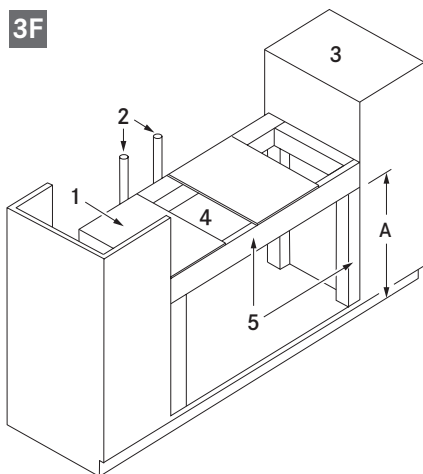
1. Coloque la cubierta en su posición.
2. Con cuidado, coloque el fregadero en su posición sobre la estructura de apoyo de madera y colóquelo calzas para nivelarlo si es necesario.
3. Coloque una línea continua de sellador transparente de silicón entre el borde del fregadero y la cubierta. Limpie el exceso de silicón con solvente y un paño limpio.
4. Conecte el conjunto del desagüe y los conectores de suministro.

# Fregaderos con chapa al frente para empotrar

## 1. Construya una estructura de apoyo

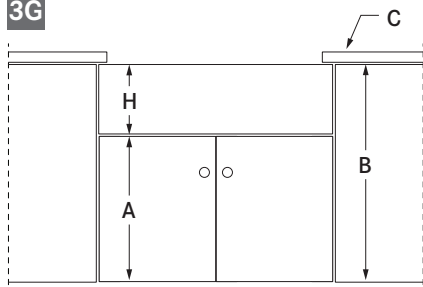
Construya una estructura de apoyo de madera en el gabinete que servirá de base para el fregadero (fig. 3F) a una altura "A" sobre el suelo (fig. 3G).

3F



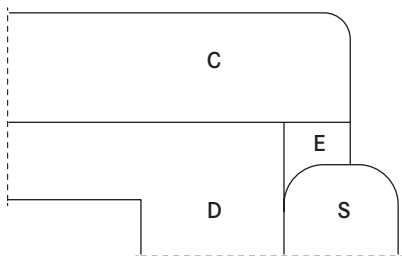
- 1 - Madera terciada de 1/2"
- 2 - Suministro de agua
- 3 - Gabinete
- 4 - Espacio de 178 mm (7") aprox. para los conectores del desagüe
- 5 - Estructura de apoyo de madera de 50.8 x 101.6 mm (2" x 4")

3G



$A = B - H$

3H



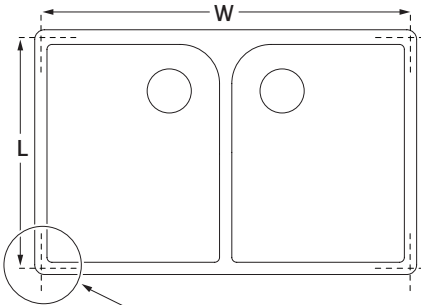
**⚠ NOTA:** Considere y prevea el margen para el espesor de cualquier tratamiento que vaya a colocarse en el borde de la abertura del fregadero al momento de determinar la dimensión "A" (fig. 3H).

- C - Cubierta
- D - Gabinete de base
- E - Tratamiento del borde
- S - Fregadero

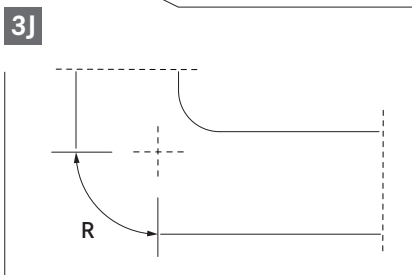
## 2. Mida el fregadero

1. Las medidas de la abertura para el fregadero se determinarán encontrando las dimensiones L y W. Esas dimensiones se miden desde el centro del borde del fregadero (el cual también deberá ser el punto más alto del borde del fregadero).
2. La dimensión W se mide desde el centro del borde del fregadero en cada lado de la tina.
3. La dimensión L se mide desde el centro del borde trasero hasta el inicio de la curvatura de la chapa del fregadero (la intención es posicionar el fregadero de tal manera que el inicio de la curvatura de la chapa quede alineado con la cara frontal del gabinete).

3I



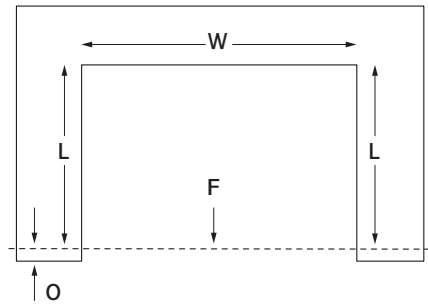
3J



## 3. Prepare la cubierta

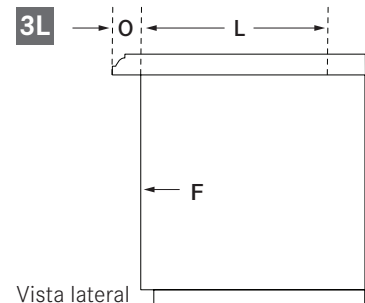
1. Transfiera la dimensión W a la cubierta de forma tal que el fregadero quede posicionado lateralmente en el gabinete de base.
2. Transfiera la dimensión L a la cubierta. Agregue después la proyección frontal de la cubierta a esta dimensión.
3. Dibuje la curvatura deseada en las dos esquinas traseras del recorte.
4. Recorte la abertura para el fregadero.

3K



Vista superior

3L



Vista lateral

F - Frente del gabinete de base.

O - Distancia de proyección

R - Curvatura de la chapa del fregadero



## 4. Prepare el fregadero

**⚠️ Tenga precaución al realizar los pasos que se indican a continuación. El no seguir estas instrucciones puede causar daños al fregadero.**

### Realice las perforaciones para la llave y los conectores (de ser necesario)

1. Estas instrucciones solo se aplicarán para fregaderos con chapa al frente para empotrar en los cuales esté expuesta la superficie en la cual se puede montar directamente la llave al fregadero... en su defecto, la llave y los conectores se instalarán directamente sobre la cubierta, detrás del soporte del fregadero.

2. El fregadero deberá estar apoyado en el piso o en una mesa de trabajo en este punto. El fregadero debe estar soportado por la parte inferior de la tina o lavabo. El fregadero no deberá estar instalado en la cubierta cuando siga los pasos a continuación.

3. Coloque cinta de enmascarar en el borde superior del borde del fregadero.

4. El lado inferior del borde del fregadero de fraceram se ha preparado con marcas en relieve para las perforaciones para llaves y conectores. Determine la posición de las perforaciones requeridas para la llave y los conectores que haya seleccionado.

5. Transfiera la posición del centro de cada perforación seleccionada. Mida la ubicación de cada perforación con respecto del borde trasero y del borde lateral del fregadero. Marque el centro de la perforación en la cinta de enmascarar.

6. Mida otra vez para confirmar la posición.

7. Coloque un punzón sobre la marca que se ha transferido, y golpéelo con un martillo (esta operación es para penetrar la superficie vitrificada y facilitar el

proceso de realizar la perforación central). 8. Haga una perforación central desde la superficie superior usando una broca para mampostería del número 8.

9. Amplíe la perforación al tamaño requerido golpeando el lugar de la perforación central usando un punzón y un martillo. (Alternativamente, se puede preparar la perforación usando una sierra de corona diamantada de 1 3/8" de diámetro).

### Instale los filtros del fregadero

Recomendamos instalar los filtros del fregadero en esta etapa del proceso de instalación. El proceso de instalación es mucho más simple cuando se tiene acceso al fregadero por todos lados.

### Instale la llave y los conectores

También recomendamos instalar la llave y todos los conectores empotrados en esta etapa del proceso de instalación (esto será válido cuando la llave y los conectores vayan montados en el borde del fregadero, o en aplicaciones en donde la llave y los conectores vayan montados directamente sobre la cubierta). El proceso de instalación es mucho más simple cuando se tiene acceso al fregadero por todos lados.

## 5. Instale el fregadero

1. Con cuidado, coloque el fregadero en su posición sobre la estructura de apoyo de madera. Compruebe la altura del borde del fregadero y colóquele calzas para nivelarlo si es necesario.

2. Coloque una línea continua de sellador transparente de silicón a lo largo del centro del borde del fregadero.

3. Coloque la cubierta en su posición y limpie el exceso de silicón con solvente y un paño limpio.

4. Conecte el conjunto del desagüe y los conectores de suministro.

## Fregaderos para sobreponer

### 1. Prepare la cubierta

1. Coloque el fregadero de cabeza sobre la cubierta en la ubicación deseada. Asegúrese de reservar espacio para montar la llave y los conectores detrás del fregadero, si esto es lo que se desea.
2. Haga un trazo del borde exterior del fregadero usando un lápiz.
3. Retire el fregadero. Ajuste un compás a 5/8" y dibuje una línea 5/8" por dentro de la línea trazada.
4. Recorte la abertura del fregadero siguiendo la línea dibujada (la de dentro).

### 2. Prepare el fregadero

#### Instale los filtros del fregadero

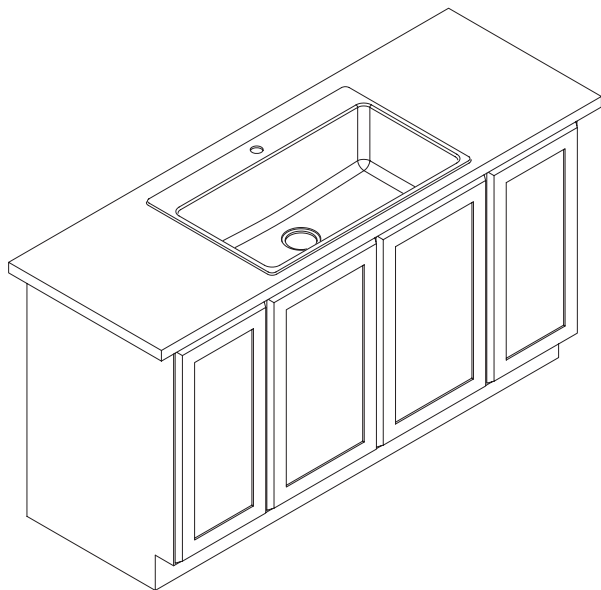
Recomendamos instalar los filtros del fregadero en esta etapa del proceso de instalación. El proceso de instalación es mucho más simple cuando se tiene acceso al fregadero por todos lados.

#### Instale la llave y los conectores

También recomendamos instalar la llave y todos los conectores empotrados en esta etapa del proceso de instalación. El proceso de instalación es mucho más simple cuando se tiene acceso al fregadero por todos lados.

### 3. Instale el fregadero

1. Coloque una línea continua de sellador transparente de silicón alrededor del recorte del fregadero.
2. Coloque el fregadero en su posición y ajuste su alineación con el borde frontal de la cubierta. Limpie el exceso de silicón con solvente y un paño limpio.
3. Conecte el conjunto del desagüe y los conectores de suministro.

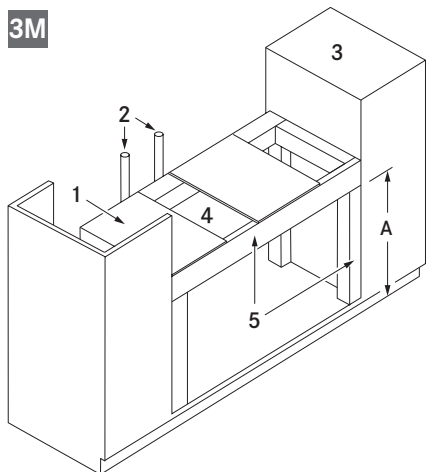


# Fregaderos para empotrar

## 1. Construya una estructura de apoyo

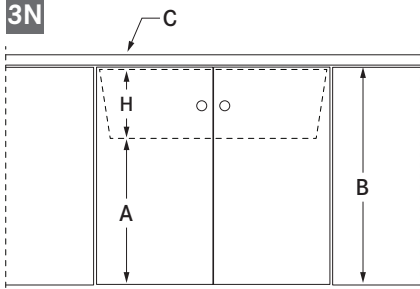
Construya una estructura de apoyo de madera en el gabinete que servirá de base para el fregadero (fig. 3M) a una altura "A" sobre el suelo (fig. 3N).

**3M**



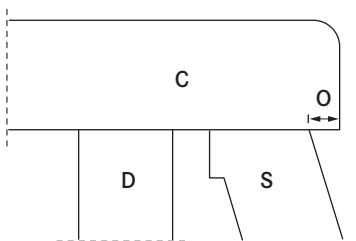
- 1 - Madera terciada de 1/2"
- 2 - Suministro de agua
- 3 - Gabinete
- 4 - Espacio de 178 mm (7") aprox. para los conectores del desagüe
- 5 - Estructura de apoyo de madera de 50.8 x 101.6 mm (2" x 4")

**3N**



$$A = B - H$$

**3O**



- C - Cubierta
- O - Tratamiento del borde (proyección de 1/4")
- S - Fregadero
- D - Gabinete

## 2. Prepare la plantilla

1. Coloque el fregadero de cabeza sobre un pedazo de cartón y haga un trazo del borde exterior del fregadero usando un lápiz.
2. Retire el fregadero y colóquelo con el lado derecho hacia arriba. Mida la anchura del borde del fregadero en varios lugares a lo largo del perímetro, y determine la dimensión nominal.
3. Agregue  $\frac{1}{4}$ " a la dimensión de la anchura nominal del borde del fregadero. Este  $\frac{1}{4}$ " representa la proyección de la cubierta sobre la abertura para la tina del fregadero, y es posible ampliar esta medida si se desea (no recomendamos reducir esta dimensión a menos de  $\frac{1}{4}$ ", ya que el fregadero no tiene una forma interior predecible).
4. Ajuste un compás a la anchura del borde del fregadero más  $\frac{1}{4}$ ", y dibuje una línea por dentro de la línea trazada (fig. 3P).
5. Recorte la plantilla siguiendo la línea dibujada (la de dentro).

## 3. Prepare la cubierta

1. Coloque la plantilla sobre la cubierta en la ubicación deseada. Centre la plantilla sobre el gabinete de base y asegúrese de reservar espacio para montar la llave y los conectores detrás del fregadero.
2. Haga un trazo del borde exterior de la plantilla usando un lápiz.
3. Recorte la abertura para el fregadero siguiendo la línea trazada.

## 4. Prepare el fregadero

### Instale los filtros del fregadero

Recomendamos instalar los filtros del fregadero en esta etapa del proceso de instalación. El proceso de instalación es mucho más simple cuando se tiene acceso al fregadero por todos lados.

### Instale la llave y los conectores

También se recomienda instalar la llave y todos los conectores empotrados en esta etapa del proceso de instalación. El proceso de instalación es mucho más simple cuando se tiene acceso al fregadero por todos lados.

## 5. Instale el fregadero

1. Con cuidado, coloque el fregadero en su posición sobre la estructura de apoyo de madera.
2. Compruebe la altura del borde del fregadero y colóquelo calzas para nivelarlo si es necesario.
3. Coloque una línea continua de sellador transparente de silicón a lo largo del centro del borde del fregadero.
4. Coloque la cubierta en su posición y limpie el exceso de silicón con solvente y un paño limpio.
5. Conecte el conjunto del desagüe y los conectores de suministro.

# LIMPIEZA Y MANTENIMIENTO

---

La nueva superficie de calidad de los acabados de fraceram Franke establece nuevos estándares en términos de facilidad de cuidado e higiene.

Para la limpieza cotidiana de su fregadero de fraceram, recomendamos el uso de una esponja o paño suave que no deje marcas. El jabón líquido común o un limpiador con base de vinagre es idóneo, especialmente para regiones con agua particularmente dura. Para manchas difíciles, cúbralo con una toalla de papel humedecida en vinagre y deje reposar toda la noche.

Las tiendas de ferretería especializadas también cuentan con descalcificadores fiables o limpiadores con base de vinagre. Algunas manchas no podrán ser removidas usando los métodos anteriormente descritos. En estos casos es recomendable usar un limpiador de baños no abrasivo líquido o en crema.

Los siguientes agentes de limpieza podrían marcar la superficie cerámica y estropear las características únicas del acabado de fraceram Franke:

- líquidos o polvos abrasivos,
- limpiadores de desagües altamente concentrados,
- limpiadores para acero y conectores de llaves.

## Información adicional

Para cualquier información adicional acerca de nuestros productos, acerca de la instalación o de la garantía, póngase en contacto con nuestro Departamento de Servicio al Cliente:

**En los Estados Unidos**  
**Franke Kitchen Systems**  
**800 Aviation Parkway**  
**Smyrna, TN 37167, EE. UU.**

Teléfono: **1-800-626-5771**

Sitio web: **[www.franke.us/ks](http://www.franke.us/ks)**

Correo electrónico: **[ks-customerservice.us@franke.com](mailto:ks-customerservice.us@franke.com)**

**En Canadá**  
**Franke Kindred Canada**  
**1000 Franke Kindred Road**  
**Midland Ontario Canada**  
**L4R 4K9**

Teléfono: **1-866-687-7465**

Correo electrónico: **[www.franke.com/ca](http://www.franke.com/ca)**



# TABLE DES MATIÈRES

---

Conseils généraux	32
Vue d'ensemble	33
Instructions d'installation	34
Éviers encastrés Farmhouse	34
Éviers sous plan Farmhouse	37
Éviers encastrés	40
Éviers sous plan	41
Nettoyage et maintenance	43

## CONSEILS GÉNÉRAUX

---

1. Déballer l'évier et inspectez-le pour tout dommage possible lors de l'expédition avant de débiter l'installation.

Si des dommages sont visibles, n'installez pas l'évier. Communiquez avec le magasin où l'évier a été acheté.

2. Franke Kitchen Systems, LLC et Franke Kindred Canada n'acceptent aucune responsabilité pour les dommages causés au comptoir ou à la robinetterie d'évier lors de l'installation.

3. L'installation d'un produit en argile réfractaire nécessite des armoires personnalisées.

Franke Kitchen Systems, LLC et Franke Kindred Canada recommandent qu'un ébéniste expérimenté fabrique la nouvelle armoire ou soit responsable des modifications apportées aux armoires existantes pour ce produit. Franke Kitchen Systems, LLC et Franke Kindred Canada n'acceptent aucune responsabilité pour les dommages causés au comptoir ou à la robinetterie de l'évier lors de l'installation.

4. À cause de la nature du procédé de fabrication de l'argile réfractaire, chaque évier fabriqué variera au niveau des dimensions. Pour cette raison, aucun gabarit de coupe n'est fourni. Pour assurer un ajustement adéquat entre l'évier et l'armoire, et toute structure de soutien, Franke Kitchen Systems, LLC et Franke Kindred Canada recommandent de fournir à l'ébéniste l'évier actuel à installer.

5. Consultez toujours les recommandations du fabricant

concernant la sécurité (pratiques sûres et équipement protecteur) lors de l'utilisation de tout outil motorisé.

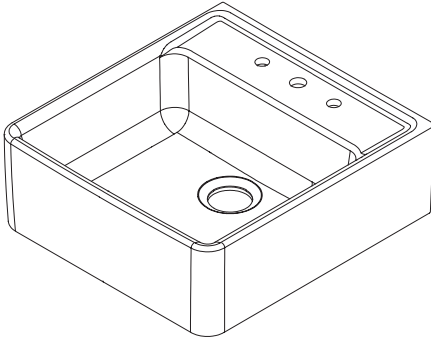
6. Nous recommandons qu'afin d'éviter des blessures corporelles ainsi que des dommages potentiels à l'évier, un cadre en bois soit conçu et fabriqué pour soutenir une charge d'au moins 136 kg (300 lb) (cette charge estimée représente le poids d'un évier en argile réfractaire moyen rempli à pleine capacité et inclut une réserve pour toute charge supplémentaire créée par un broyeur de déchets). Ce cadre en bois ne sera pas requis pour les installations encastrées où le rebord de l'évier est posé sur le haut du comptoir.

7. Les éviers en argile réfractaire peuvent être lourds (selon la configuration, leur poids peut varier de 9,1 kg (20 lb) à plus de 59 kg (130 lb)). Veuillez demander de l'aide pour lever l'évier afin d'éviter les blessures corporelles.

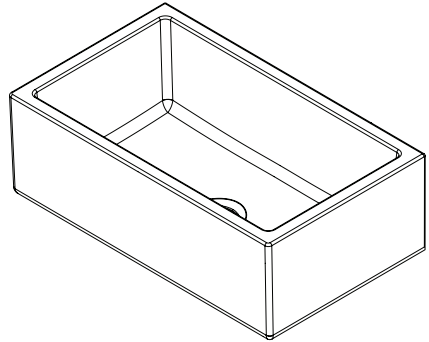


# VUE D'ENSEMBLE

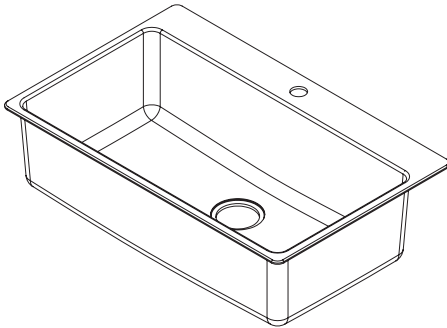
## Évier encastré Farmhouse



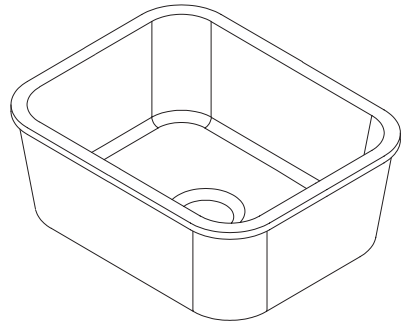
## Évier sous plan Farmhouse



## Évier encastré



## Évier sous plan



### Outils requis

- Ruban à mesurer
- Clé à tube
- Compas et crayon
- Toupie et mèche de finition d'évier
- Carton de gabarit
- Scie à guichet ou scie sauteuse
- Silicone transparente
- Pointe centrale

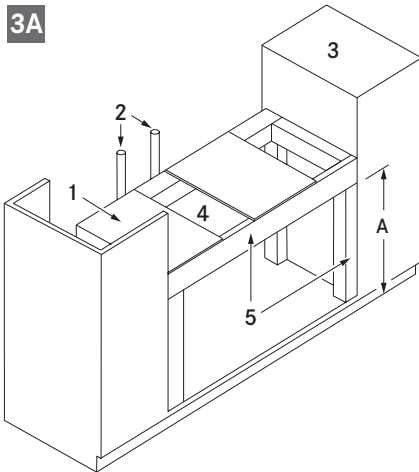
- Crayon
- Perceuse avec foret à maçonnerie n° 8
- Marteau
- Ruban à masquer
- Lampe de poche
- Matériaux de construction
- Perceuse avec une scie cylindrique diamantée de 1 3/8 po

# INSTRUCTIONS D'INSTALLATION

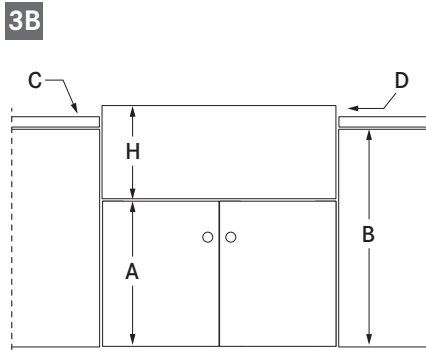
## Éviers encastrés Farmhouse

### 1. Construire un cadre de soutien

Construisez un cadre de soutien en bois dans l'armoire de base de l'évier (Fig. 3A) à une dimension "A" au-dessus du plancher (Fig. 3B).



- 1 - Contreplaqué de 1/2 po
- 2 - Alimentation en eau
- 3 - Armoire
- 4 - Laissez un écart d'environ 7 po pour les raccords de drainage
- 5 - Cadre de soutien en bois de 2 x 4 po



$$A = (B + C + D) - H$$

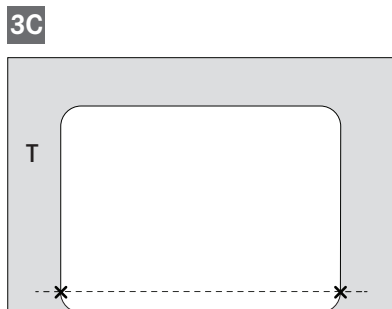
- C - Épaisseur du comptoir
- D - Espace du haut du comptoir au haut de l'évier.

## 2. Préparer le gabarit

Posez l'évier à l'envers sur un morceau de carton. Alignez l'avant de l'évier sur le bord avant du carton. Tracez le contour de l'évier. Enlevez l'évier.

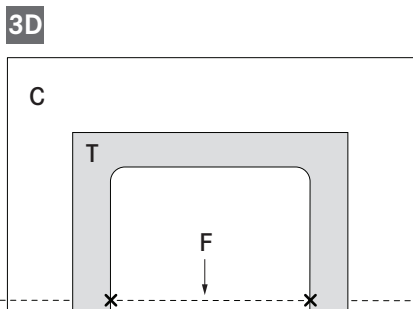
Tracez une marque d'alignement à l'extrémité du rayon avant des deux côtés (Fig. 3C).

Cette marque sera utilisée pour aligner le gabarit avec l'armoire de base lors de la coupe du comptoir.

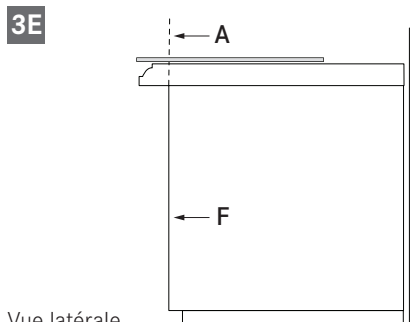


## 3. Préparer le comptoir

Positionnez le comptoir sur l'armoire de base. Placez le gabarit latéralement pour centrer la découpe de l'évier dans l'armoire de base de l'évier. Puis placez le gabarit « recto-verso » afin que les marques d'alignement soient mises en ligne avec le côté avant de l'armoire adjacente (Fig. 3D-E). Tracez le gabarit sur le comptoir. Enlevez le comptoir, puis découpez l'ouverture de l'évier. Vérifiez l'ajustement et terminez le découpage de l'évier. Ajustez au besoin.



Vue du haut



Vue latérale

- A - Marque d'alignement
- C - Comptoir
- T - Gabarit
- F - Avant des armoires de base

## 4. Préparer l'évier

**⚠ Veuillez être prudent au cours des étapes suivantes. Le fait de ne pas suivre ces instructions peut endommager l'évier.**

1. L'évier doit reposer sur le plancher ou sur un banc de travail à ce stade. L'évier doit être soutenu par le dessous de la cuvette de l'évier. L'évier ne doit pas être installé dans le comptoir lors des étapes suivantes.
2. Percez les trous pour le robinet et les raccords (au besoin).
3. Posez du ruban à masquer sur la surface du haut du rebord de l'évier.
4. Le dessous du rebord de l'évier en argile réfractaire a été préparé avec un découpage pour les trous du robinet et des raccords. Déterminez la position des trous requis pour le robinet et les raccords choisis.
5. Transférez la position centrale de chaque trou choisi. Mesurez l'emplacement de chaque trou par rapport au bord arrière du rebord de l'évier et du bord latéral du rebord de l'évier. Marquez le centre du trou sur le ruban à masquer.
6. Mesurez deux fois pour confirmer la position.
7. Positionnez une pointe centrale sur la marque transférée et frappez avec un marteau (cette opération a pour but de pénétrer le vernis de surface afin de faciliter le perçage d'un trou de localisation).
8. Percez un trou de guidage (localisation) de la surface du haut à l'aide d'un foret à maçonnerie n° 8.

9. Agrandissez le trou à la dimension requise en frappant l'emplacement du trou de guidage avec une pointe centrale et un marteau. (Le trou peut aussi être préparé en perçant avec une scie cylindrique diamantée d'un diamètre de 1 3/8 po).

### Installer les crépines d'évier

Nous recommandons l'installation des crépines d'évier à cette étape de l'installation. Le processus d'installation est beaucoup plus simple lorsque l'évier est accessible de tous les côtés.

### Installer le robinet et les raccords

Il est également recommandé d'installer le robinet et tout raccord monté sur le tablier à cette étape de l'installation. Le processus d'installation est beaucoup plus simple lorsque l'évier est accessible de tous les côtés.

## 5. Installer l'évier

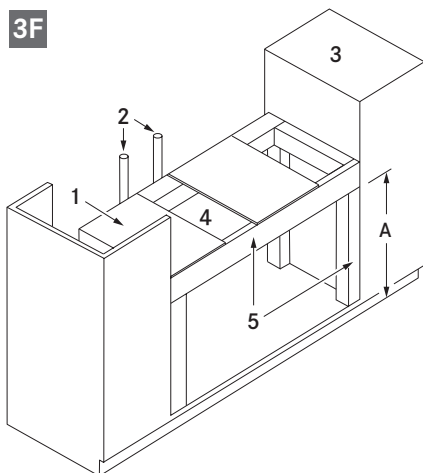
1. Placez le comptoir en position.
2. Placez soigneusement l'évier en position sur le cadre de soutien en bois, calez l'évier à niveau au besoin.
3. Appliquez une goutte de silicone translucide entre le rebord de l'évier et le comptoir. Nettoyez l'excès de silicone avec un solvant et un chiffon propre.
4. Branchez l'assemblage du drainage et les raccords d'alimentation.

# Éviers sous plan Farmhouse

## 1. Construire un cadre de soutien

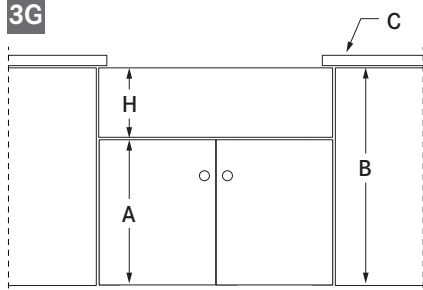
Construisez un cadre de soutien en bois dans l'armoire de base de l'évier (Fig. 3F) à une dimension « A » au-dessus du plancher (Fig. 3G).

3F



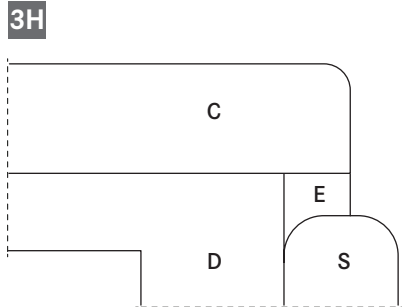
- 1 - Contreplaqué de 1/2 po
- 2 - Alimentation en eau
- 3 - Armoire
- 4 - Laissez un écart d'environ 7 po pour les raccords de drainage
- 5 - Cadre de soutien en bois de 2 x 4 po

3G



$A = B - H$

3H

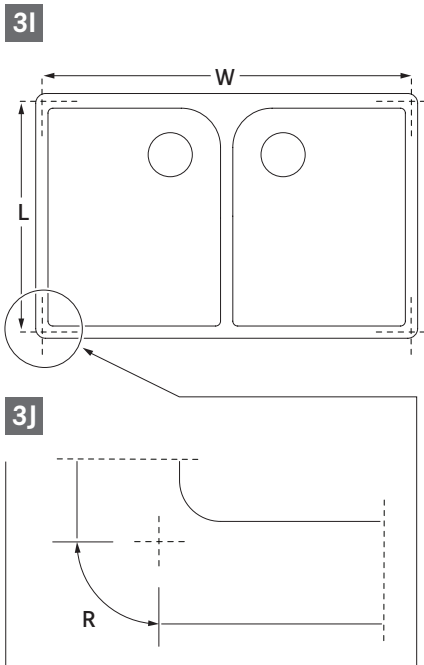


**⚠ REMARQUE :** veuillez tenir compte de l'épaisseur de tout ajustement du rebord qui entoure l'ouverture de l'évier pour déterminer la dimension « A » (Fig. 3H).

- C - Comptoir
- D - Base de l'armoire
- E - Ajustement de rebord
- S - Évier

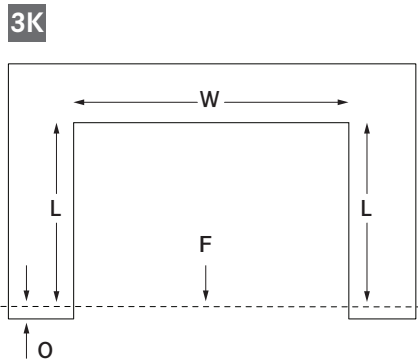
## 2. Mesurer le comptoir

1. L'ouverture du découpage pour l'évier sera déterminée en établissant les dimensions L et l. Ces dimensions sont mesurées du centre du rebord de l'évier (qui doit aussi être le point le plus élevé du rebord de l'évier).
2. La dimension l est mesurée du centre du rebord de l'évier de part et d'autre de la cuvette.
3. La dimension L est mesurée du centre du rebord arrière au début du rayon sur le tablier de l'évier (il s'agit de positionner l'évier tel que le début du rayon du tablier et le côté avant de l'armoire adjacente soient alignés).

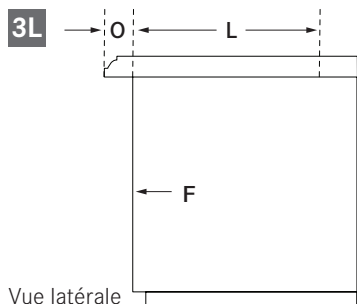


## 3. Préparer le comptoir

1. Transférez la dimension l sur le comptoir de façon à ce que l'évier soit positionné latéralement dans l'armoire de base de l'évier.
2. Transférez la dimension L sur le comptoir. Ajoutez alors la dimension du surplomb avant du comptoir à cette dimension.
3. Tracez le rayon désiré dans les deux coins arrière du découpage.
4. Découpez l'ouverture de l'évier.



Vue du haut



Vue latérale

- F - Avant des armoires de base.  
 O - Distance en surplomb  
 R - Rayon sur le tablier de l'évier

## 4. Préparer l'évier

**⚠ Veuillez être prudent au cours des étapes suivantes. Le fait de ne pas suivre ces instructions peut endommager l'évier.**

### Percez les trous pour le robinet et les raccords (au besoin)

1. Ces instructions s'appliquent seulement aux éviers sous plan Farmhouse dont le rebord de robinet est visible, et le robinet peut être monté directement sur l'évier. Sinon, le robinet et les raccords seront installés directement sur le comptoir derrière la robinetterie de l'évier.
2. L'évier doit reposer sur le plancher ou sur un banc de travail à ce stade. L'évier doit être soutenu par le dessous de la cuvette de l'évier. L'évier ne doit pas être installé dans le comptoir lors des étapes suivantes.
3. Posez du ruban à masquer sur la surface du haut du rebord de l'évier.
4. Le dessous du rebord de l'évier en argile réfractaire a été préparé avec un découpage pour les trous du robinet et des raccords. Déterminez la position des trous requis pour le robinet et les raccords choisis.
5. Transférez la position centrale de chaque trou choisi. Mesurez l'emplacement de chaque trou par rapport au bord arrière du rebord de l'évier et du bord latéral du rebord de l'évier. Marquez le centre du trou sur le ruban à masquer.
6. Mesurez deux fois pour confirmer la position.
7. Positionnez une pointe centrale sur la marque transférée et frappez avec un marteau (cette opération a pour but de pénétrer le vernis de surface afin de faciliter le perçage d'un trou de localisation).
8. Percez un trou de

guidage (localisation) de la surface du haut à l'aide d'un foret de maçonnerie n° 8.

9. Agrandissez le trou à la dimension requise en frappant l'emplacement du trou de guidage avec une pointe centrale et un marteau. (Le trou peut aussi être préparé en perçant avec une scie cylindrique diamantée d'un diamètre de 1 3/8 po).

### Installer les crépines d'évier

Nous recommandons l'installation des crépines d'évier à cette étape de l'installation. Le processus d'installation est beaucoup plus simple lorsque l'évier est accessible de tous les côtés.

### Installer le robinet et les raccords

Il est également recommandé d'installer le robinet et tout raccord monté sur le tablier à cette étape de l'installation (cela s'applique dans le cas où le robinet et les raccords sont montés sur le rebord de l'évier ou aux applications où le robinet et les raccords sont montés directement sur le comptoir). Le processus d'installation est beaucoup plus simple lorsque l'évier est accessible de tous les côtés.

## 5. Installer l'évier

1. Placez soigneusement l'évier en position sur le cadre de soutien en bois. Vérifiez la hauteur du rebord de l'évier, calez l'évier à niveau au besoin.
2. Appliquez une goutte de silicone translucide le long du centre du rebord de l'évier.
3. Placez le comptoir en position et nettoyez l'excès de silicone avec un solvant et un chiffon propre.
4. Branchez l'assemblage du drainage et les raccords d'alimentation.

## Éviers encastrés

### 1. Préparer le comptoir

1. Placez l'évier à l'envers sur le haut du comptoir dans l'emplacement désiré.

Assurez-vous de prévoir une réserve pour le montage du robinet et des raccords derrière l'évier, si tel est le résultat souhaité.

2. Tracez le bord extérieur du rebord de l'évier à l'aide d'un crayon.

3. Enlevez l'évier. Réglez un compas sur 5/8 po et tracez une ligne à 5/8 po à l'intérieur de la ligne tracée.

4. Découpez l'ouverture de l'évier en suivant la ligne tracée la plus à l'intérieur.

### 2. Préparer l'évier

#### Installer les crépines d'évier

Nous recommandons l'installation des crépines d'évier à cette étape de l'installation. Le processus d'installation est beaucoup plus simple lorsque l'évier est accessible de tous les côtés.

#### Installer le robinet et les raccords

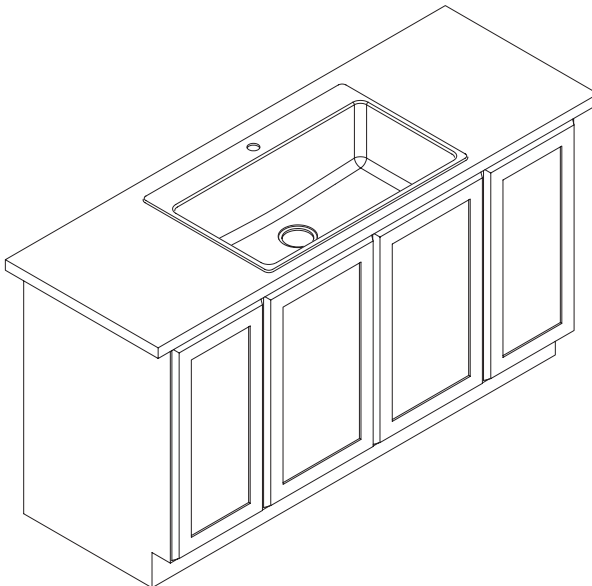
Il est également recommandé d'installer le robinet et tout raccord monté sur le tablier à cette étape de l'installation. Le processus d'installation est beaucoup plus simple lorsque l'évier est accessible de tous les côtés.

### 3. Installer l'évier

1. Appliquez une goutte de silicone translucide autour du découpage de l'évier.

2. Abaissez l'évier en position et ajustez l'alignement désiré avec le bord avant du comptoir. Nettoyez l'excès de silicone avec un solvant et un chiffon propre.

3. Branchez l'assemblage du drainage et les raccords d'alimentation.



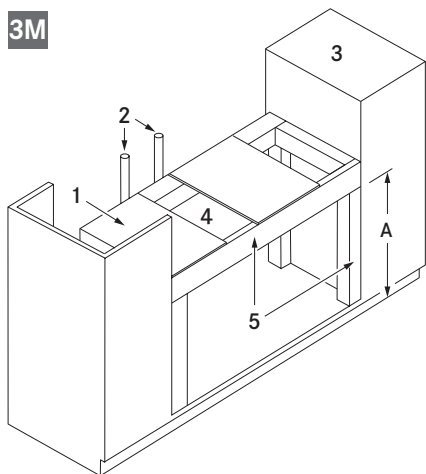


# Éviers sous plan

## 1. Construire un cadre de soutien

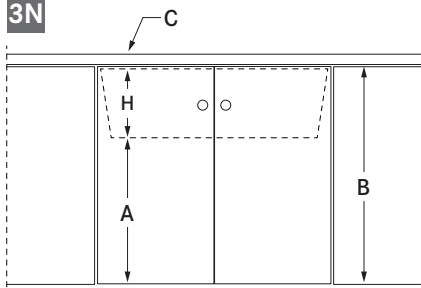
Construisez un cadre de soutien en bois dans l'armoire de base de l'évier (Fig. 3M) à une dimension « A » au-dessus du plancher (Fig. 3N).

3M



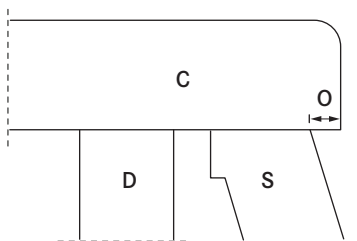
- 1 - Contreplaqué de 1/2 po
- 2 - Alimentation en eau
- 3 - Armoire
- 4 - Laissez un écart d'environ 7 po pour les raccords de drainage
- 5 - Cadre de soutien en bois de 2 x 4 po

3N



$$A = B - H$$

3O

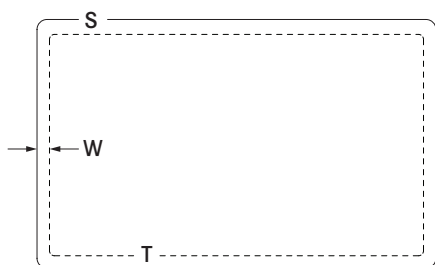


- C - Comptoir
- O - Ajustement de rebord avec surplomb de 1/4 po
- S - Évier
- D - Armoire

## 2. Préparer le gabarit

1. Placez l'évier à l'envers sur un morceau de carton et tracez le bord extérieur du bord de l'évier à l'aide d'un crayon.
2. Enlevez l'évier et mettez le côté droit vers le haut. Mesurez la largeur du rebord de l'évier en plusieurs endroits du périmètre et déterminez la dimension nominale.
3. Ajoutez 1/4 po à la largeur nominale du rebord de l'évier. Cette dimension de 1/4 po représente le surplomb du comptoir dans l'ouverture de cuvette de l'évier. Il est possible d'augmenter cette dimension si désiré (nous ne recommandons pas de réduire cette dimension de 1/4 po vu que l'évier n'a pas de forme intérieure prévisible).
4. Réglez un compas sur la largeur du rebord de l'évier plus 1/4 po et tracez une ligne à l'intérieur de la ligne tracée (Fig. 3P).
5. Découpez le gabarit en suivant la ligne tracée la plus à l'intérieur.

**3P**



**S** - Tracé autour de l'évier.

**W** - Largeur du rebord de l'évier + 1/4 po

**T** - Ligne de découpage du gabarit

## 3. Préparer le comptoir

1. Positionnez le gabarit sur le haut du comptoir dans l'emplacement désiré. Centrez le gabarit dans l'armoire de base de l'évier et veillez à inclure une réserve pour monter le robinet et les raccords derrière l'évier.
2. Tracez le bord extérieur du gabarit à l'aide d'un crayon.
3. Découpez l'ouverture de l'évier suivant la ligne tracée.

## 4. Préparer l'évier

### Installer les crépines d'évier

Nous recommandons l'installation des crépines d'évier à cette étape de l'installation. Le processus d'installation est beaucoup plus simple lorsque l'évier est accessible de tous les côtés.

### Installer le robinet et les raccords

Il est également recommandé d'installer le robinet et tout raccord monté sur le tablier à cette étape de l'installation. Le processus d'installation est beaucoup plus simple lorsque l'évier est accessible de tous les côtés.

## 5. Installer l'évier

1. Placez soigneusement l'évier en position sur le cadre de soutien en bois.
2. Vérifiez la hauteur du rebord de l'évier, caliez l'évier à niveau au besoin.
3. Appliquez une goutte de silicone translucide le long du centre du rebord de l'évier.
4. Placez le comptoir en position et nettoyez l'excès de silicone avec un solvant et un chiffon propre.
5. Branchez l'assemblage du drainage et les raccords d'alimentation.

# NETTOYAGE ET MAINTENANCE

---

La nouvelle qualité de surface du Franke Fireclay Finish définit de nouvelles normes en termes d'entretien facile et d'hygiène.

Pour le nettoyage quotidien de votre évier de cuisine d'argile réfractaire, nous recommandons l'utilisation d'une éponge ou d'un chiffon doux n'égratignant pas. Un savon liquide standard ou un nettoyant à base de vinaigre sont parfaits, spécialement dans les zones avec de l'eau particulièrement dure. Pour les taches tenaces, recouvrez d'une serviette en papier trempée dans du vinaigre et laissez tremper toute une nuit. Les quincailleries spécialisées ont également en stock des détartrants fiables ou des nettoyants à base de vinaigre. Certaines taches ne peuvent pas être enlevées par les méthodes décrites ci-haut. Dans ces cas, il est recommandé d'utiliser un liquide non abrasif ou un nettoyant de salle de bain en crème.

Les agents nettoyants suivants peuvent égratigner la surface en céramique et nuire aux propriétés uniques du Franke Fireclay Finish :

- liquide ou poudre à récurer,
- nettoyants pour drain hautement concentrés,
- nettoyants pour les raccords et l'acier de robinet.

## Informations complémentaires

Pour de plus amples informations sur nos produits, leur installation et la garantie, veuillez contacter notre service clients :

### Aux États-Unis

**Franke Kitchen Systems**

**800 Aviation Parkway**

**Smyrna, TN 37167, États-Unis**

téléphone : **1 800 626-5771**

site Web : **[www.franke.us/ks](http://www.franke.us/ks)**

courriel : **[ks-customerservice.us@franke.com](mailto:ks-customerservice.us@franke.com)**

### Au Canada

**Franke Kindred Canada**

**1000 Franke Kindred Road**

**Midland Ontario Canada**

**L4R 4K9**

téléphone : **1 866 687-7465**

courriel : **[www.franke.com/ca](http://www.franke.com/ca)**

**Argentina**

Industrias Spar San Luis S.A.  
Buenos Aires 1008  
Phone +54 11 4311 7655

**Belgium**

Franke N.V.  
9400 Ninove  
Phone +32 54 310 111

**Brazil**

Franke Sistemas de  
Cozinhas do Brasil Ltda.  
89219-512 Joinville, SC  
Phone +55 47 3431 0501

**Canada**

Franke Kindred Canada Ltd.  
Midland, ON L4R 4K9  
Phone +1 866 687 7465

**China**

Franke (China) Kitchen  
Systems Co., Ltd.  
Heshan, Guangdong,  
529700  
Hotline 400 882 9898

**Czech Republic**

Franke s.r.o.  
190 00 Praha 9  
Phone +420 281 090 411

**Denmark**

Franke KS Denmark  
8520 Lystrup  
Phone +45 8624 9024

**Egypt**

Franke Kitchen Systems  
Egypt S.A.E.  
6th of October City  
Hotline 16828

**Finland**

Franke Finland Oy  
76850 Naarajärvi  
Phone +358 15 341 11

**France**

Franke France S.A.S.  
60230 Chambly  
Phone +33 130 289 400

**Germany**

Franke GmbH  
79713 Bad Säckingen  
Phone +49 7761 52 0

**Greece**

Franke Hellas S.A.  
19003 Markopoulo Attikis  
(Athens)  
Phone +30 22991 500 00

**Hong Kong SAR**

Franke Asia Hong Kong  
Causeway Bay  
Phone +852 3184 1900

**India**

Franke Faber India Pvt Ltd.  
Aurangabad - 431 136  
Phone 1800 209 3484

**Italy**

Franke S.p.A.  
37019 Peschiera del Garda  
Numero Verde 800 359 359

**Kazakhstan**

Franke Kazakhstan Ltd.  
040918 Almaty City  
Phone +7 727 297 3812

**Morocco**

Franke Kitchen System SARL  
21 000 Casablanca  
Phone +212 522 674 200

**Norway**

Franke KS Norway  
8520 Lystrup, Denmark  
Phone +47 35 566 450

**Poland**

Franke Polska Sp. z o.o.  
05-090 Raszyn  
Phone +48 22 711 6700

**Portugal**

Franke Portugal S.A.  
2735-531 Cacém  
Phone +351 21 426 9670

**Romania**

Franke Romania SRL  
Pantelimon 077145  
Phone +40 21 350 1550

**Russia**

Franke Russia GmbH  
199106 St. Petersburg  
Phone +7 812 703 1540

**Slovak Republic**

Franke Slovakia s.r.o.  
010 01 Žilina  
Phone +421 41 733 6200

**South Africa**

Franke South Africa  
Durban 4052  
Phone +27 31 450 6300

**Spain**

Franke España S.A.U.  
08174 Sant Cugat del Vallès  
Phone +34 93 565 3535

**Sweden**

Franke Futurum AB  
930 47 Byske  
Phone +46 912 405 00

**Switzerland**

Franke Küchentechnik AG  
4663 Aarburg  
Phone +41 800 583 243

**Thailand**

Franke (Thailand) Co., Ltd.  
Bangkok 10110  
Phone +66 2 013 7900

**The Netherlands**

Franke Nederland B.V.  
5700 AD Helmond  
Phone +31 492 585 111

**Turkey**

Franke Mutfak ve Banyo  
Sistemleri Sanayi ve  
Ticaret A.S.  
41400 Gebze Kocaeli  
Phone +90 262 644 6595

**Ukraine**

Franke Ukraina LLC  
02081 Kyiv  
Phone +38 044 492 0015

**United Arab Emirates**

Franke LLC  
Ras Al Khaimah  
Phone +971 7 203 4700

**United Kingdom**

Franke UK Ltd.  
Manchester M22 5WB  
Phone +44 161 436 6280

**USA**

Franke Kitchen Systems LLC  
Smyrna, TN 37167  
Phone 800 626 5771



*Make  
it  
Wonderful*