

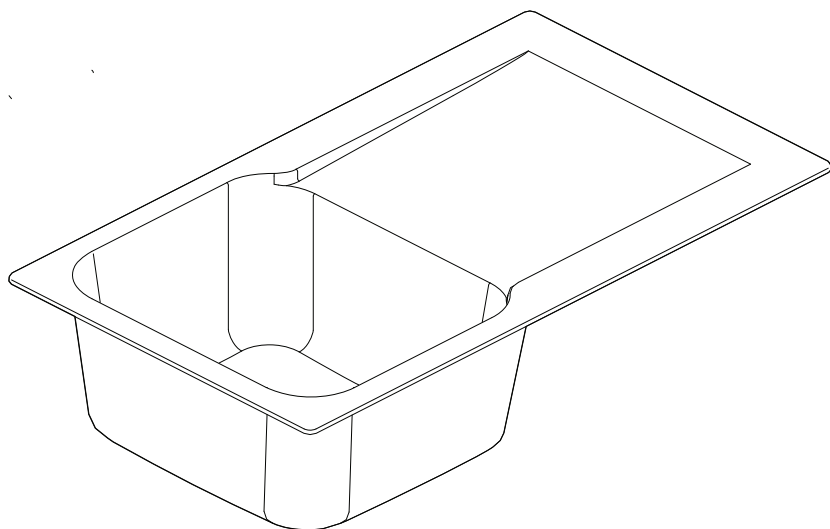
TITAN AND ORION INSET SINKS RANGE

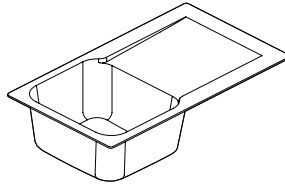
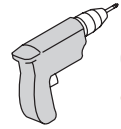
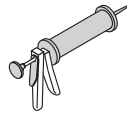
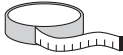
Titan TTD 611

Titan TTD 651

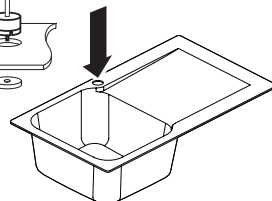
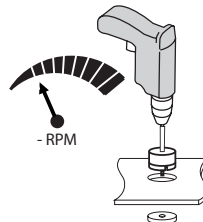
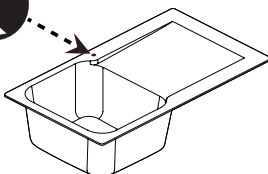
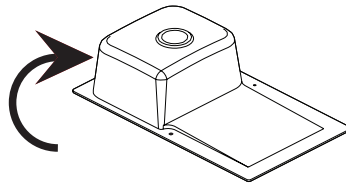
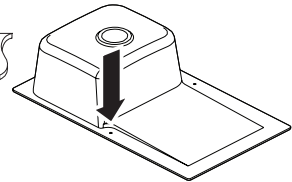
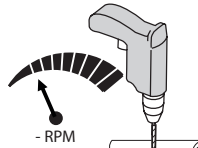
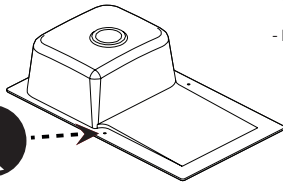
Orion OID 611-04

Orion OID 651



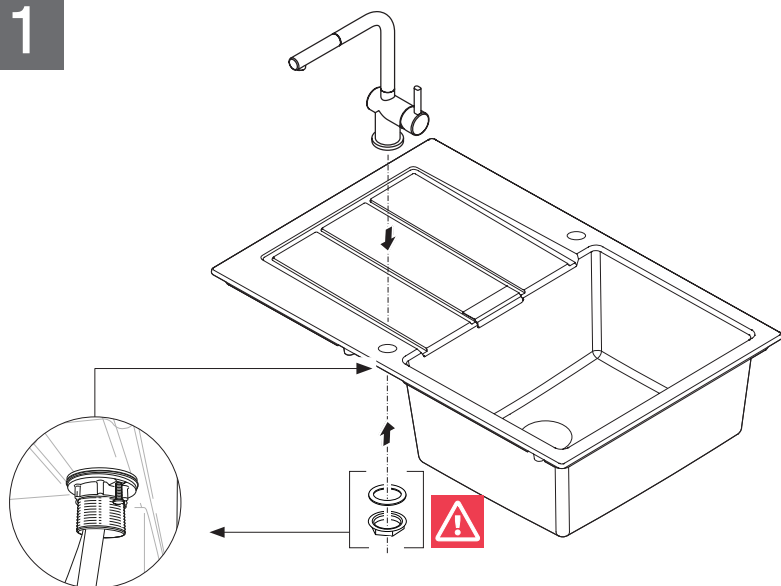


Please purchase
Drill Bit required
separately
112.0473.656

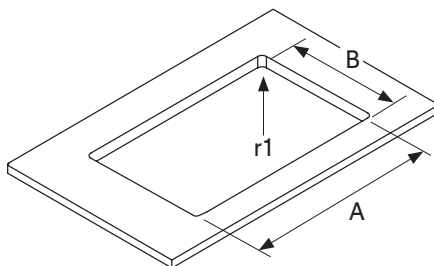




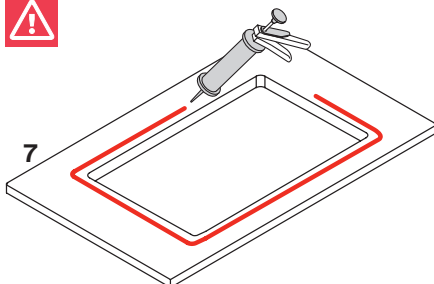
1



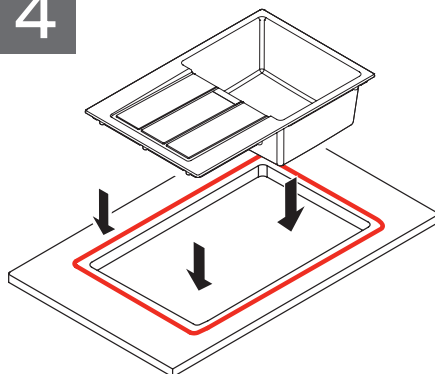
2



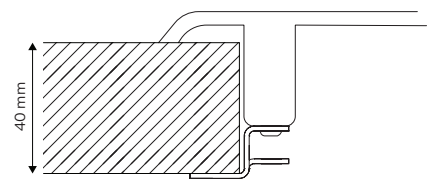
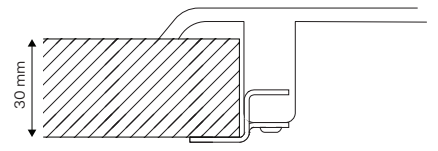
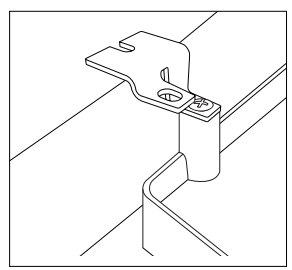
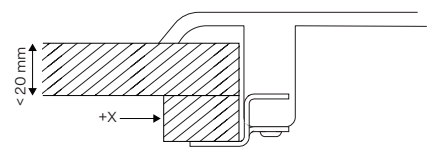
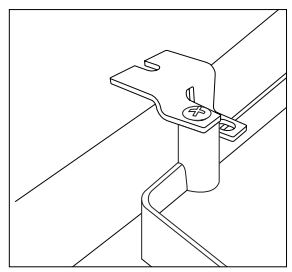
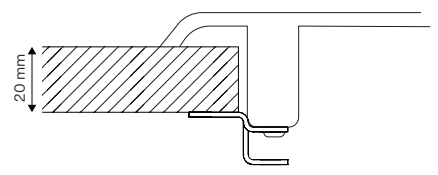
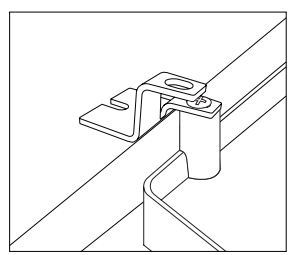
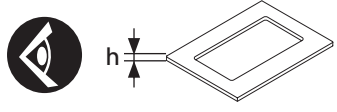
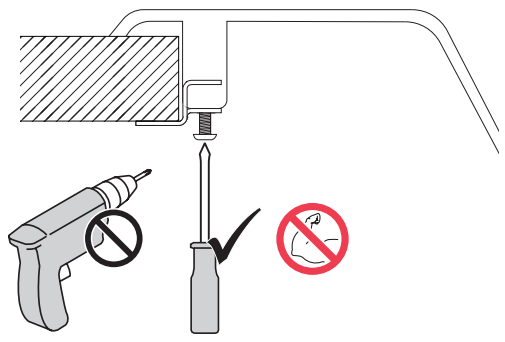
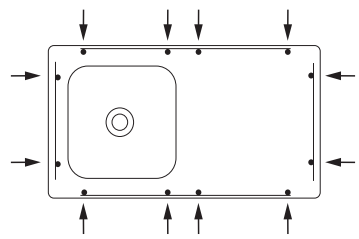
3

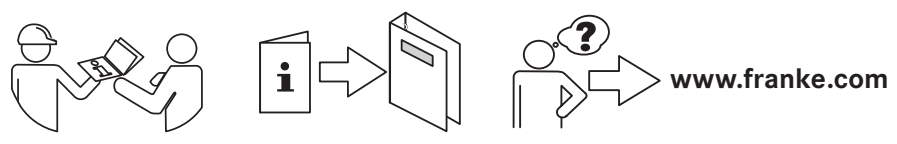
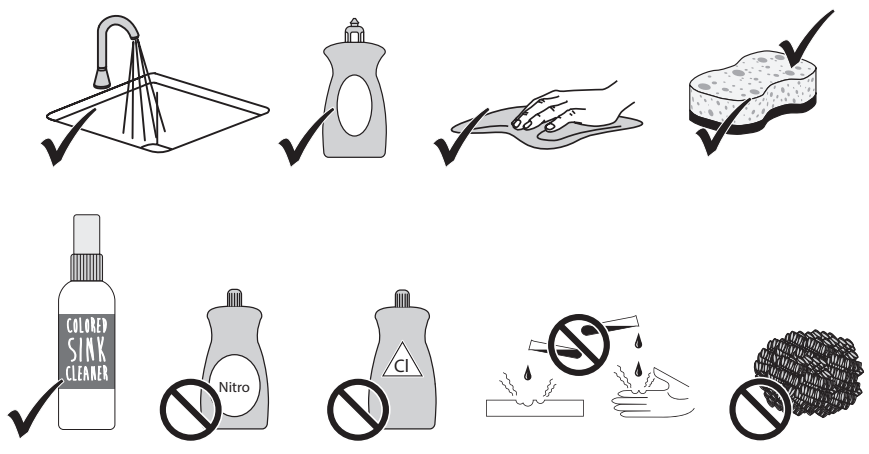
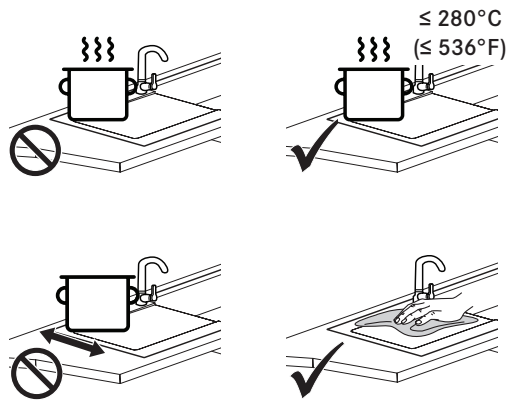


4



5







Inset

Model		A	B	r1	minimum cabinet
TITAN 611		950	480	15	600
TITAN 651		950	480	15	600
ORION 611-94		924	494	7.5	600
ORION 651		984	494	7.5	600



Franke UK Ltd
West Park, MIOC
Styal Road
Manchester
M22 5WB
Phone +44 (0)161 436 6280
Fax +44 (0)161 436 2180
Email ks-info.gb@franke.com
www.franke.com

