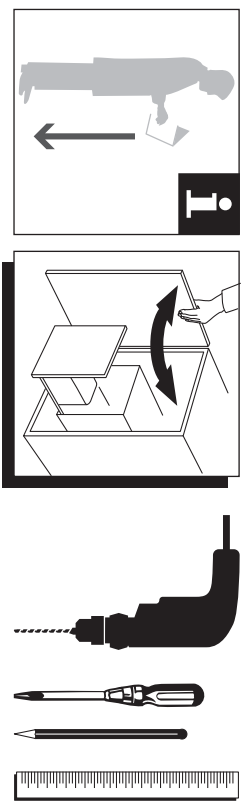


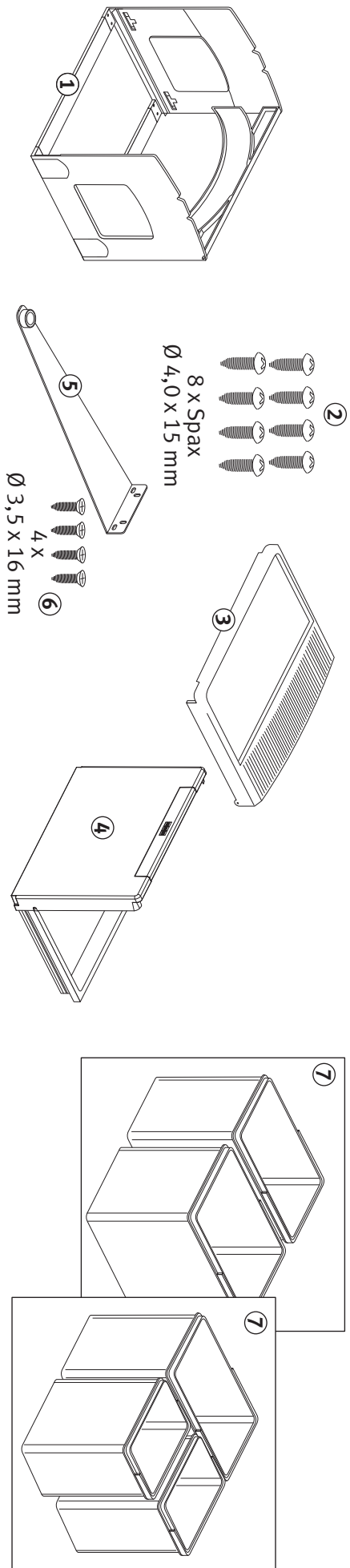
FRANKIE

CUBE 50 A

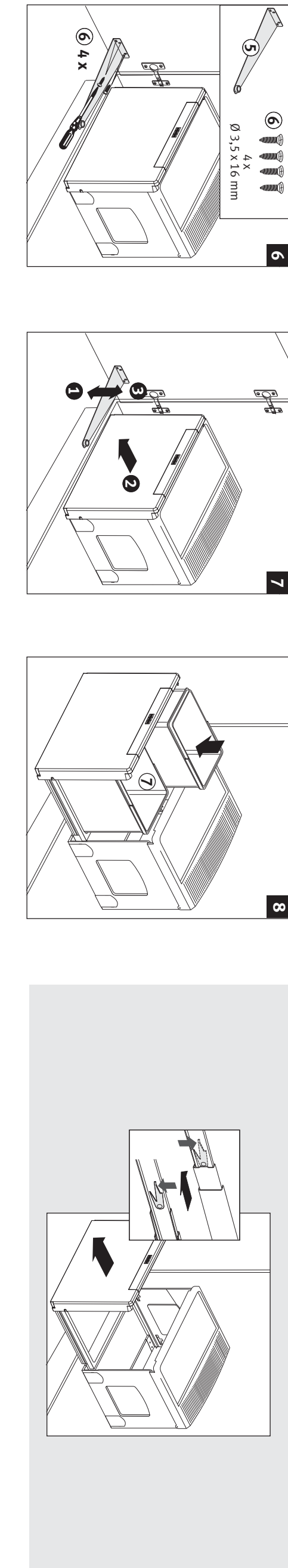
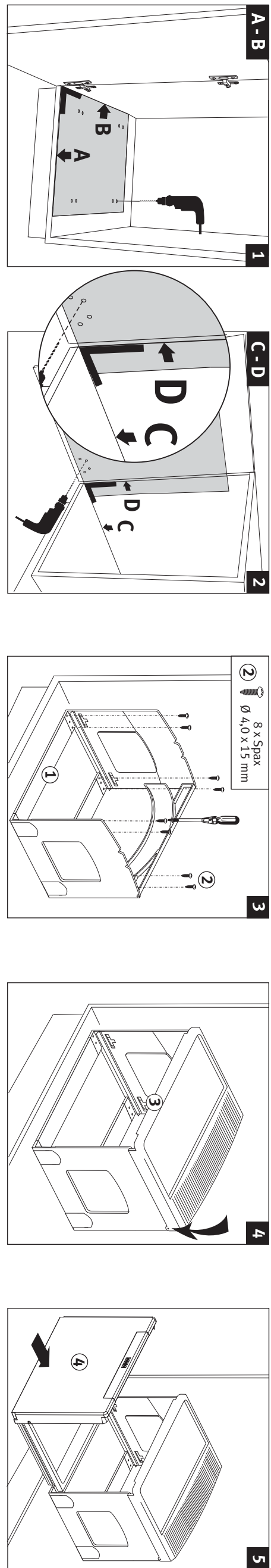
ø 2 mm



ø 2 mm
48



ø 2 mm

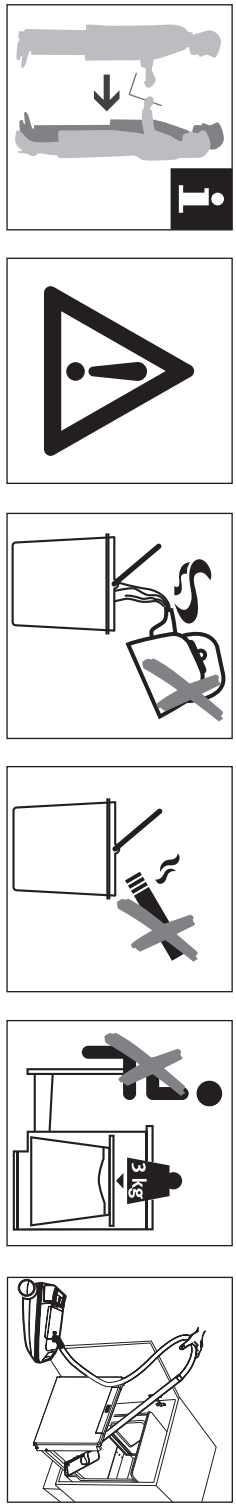


ø 2 mm

ø 2 mm
48
55

384

ø 2 mm



27 10
ø 2 mm
60 60

D

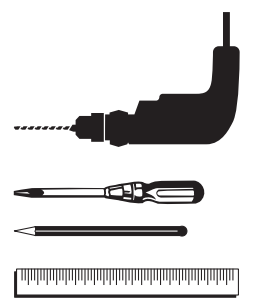
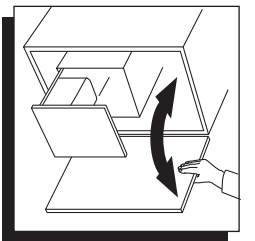
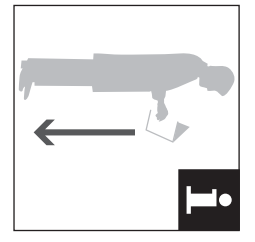
C

A

B

271

∅ 2 mm



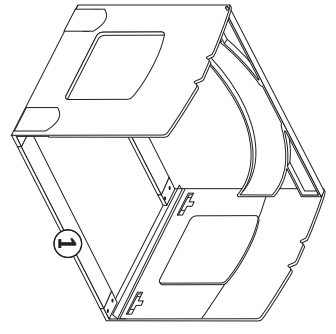
∅ 2 mm

48

FRANKIE

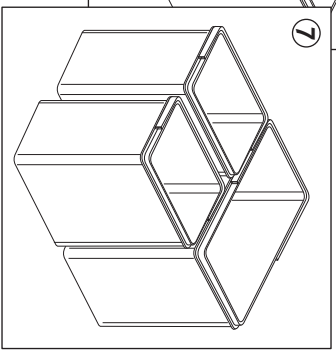
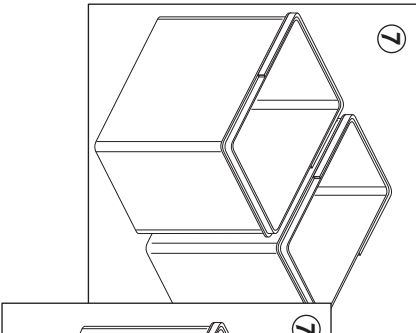
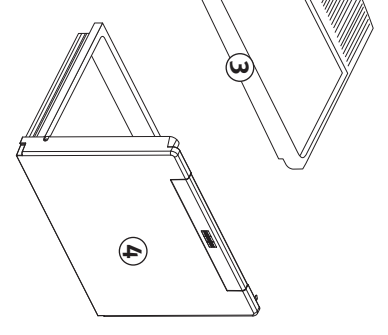
CUBE 50 A

∅ 2 mm



8 x Spax
∅ 4,0 x 15 mm

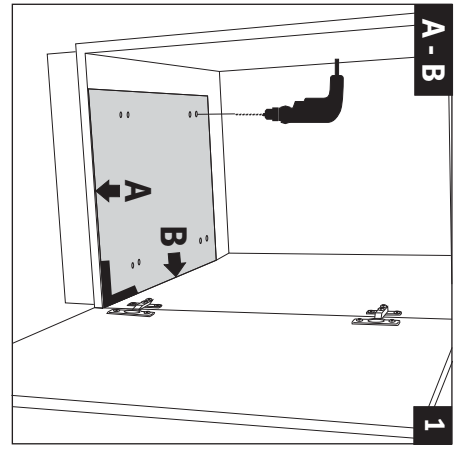
∅ 3,5 x 16 mm
4 X



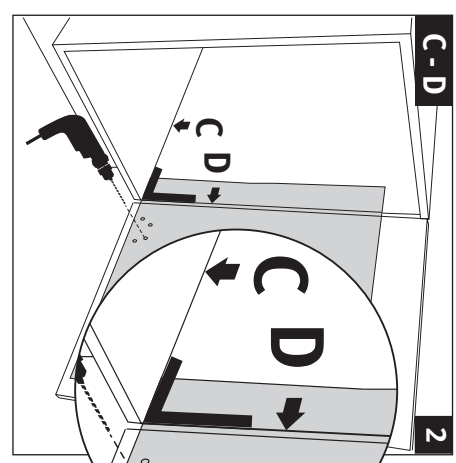
∅ 2 mm

48

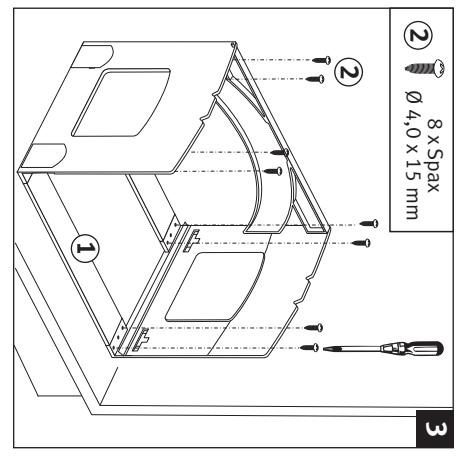
A-B



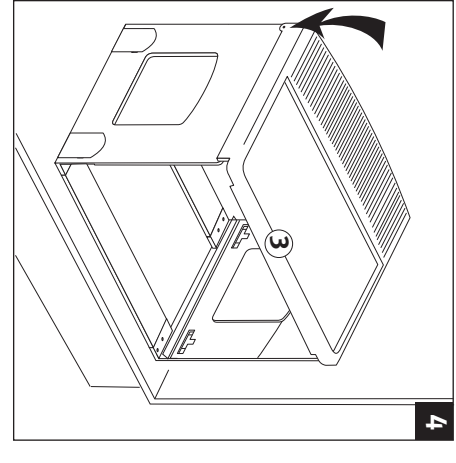
C-D



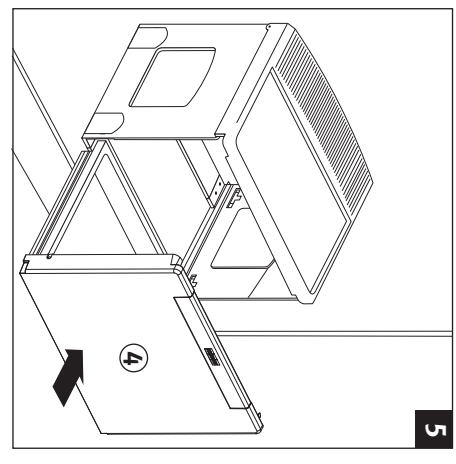
8 x Spax
∅ 4,0 x 15 mm



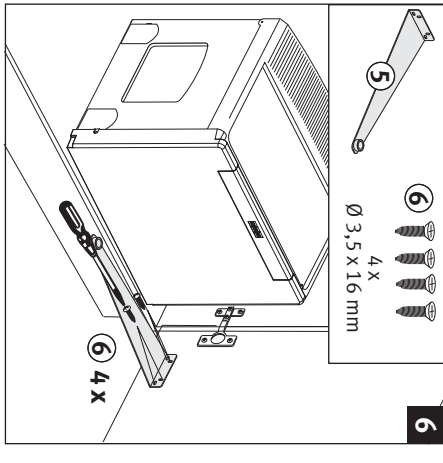
3



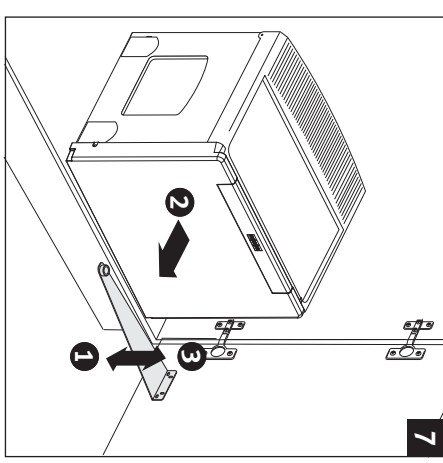
5



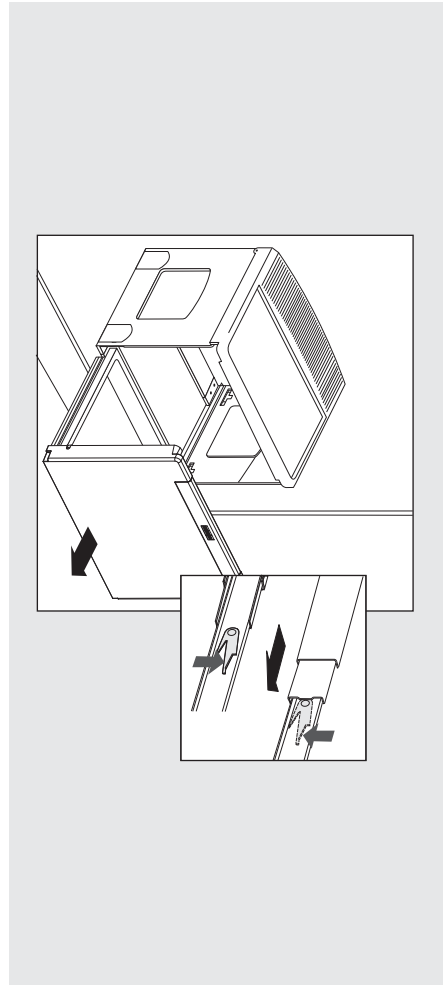
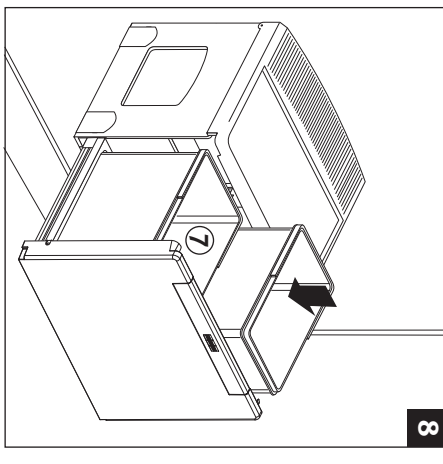
∅ 2 mm



7



8

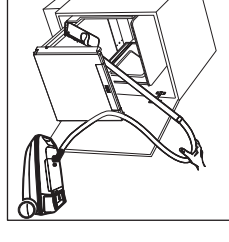
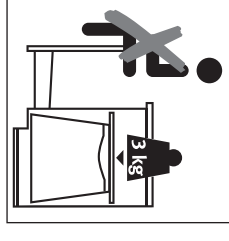
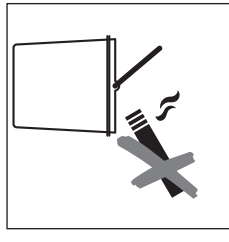
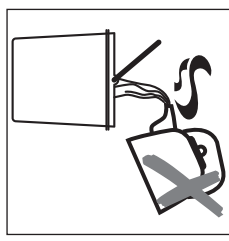
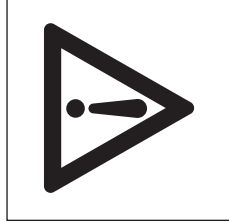
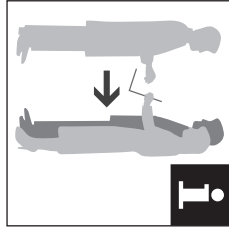


∅ 2 mm

48

271

∅ 2 mm



384

∅ 2 mm

48

55

60

60

27

∅ 2 mm

55

D

C

B

A