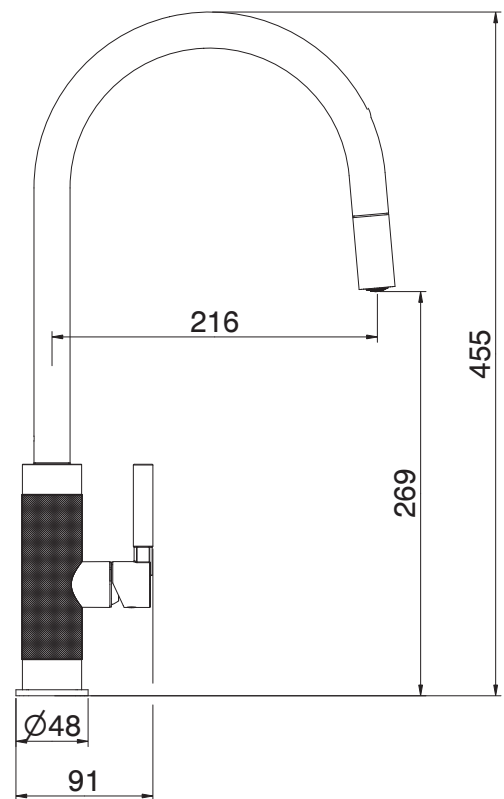


FRANKE TESSUTO PULL-OUT TAP

Installation instructions



FRANKE

Technical data

Minimum water pressure: 14.50PSI (1 bar)
Maximum water pressure: 75PSI (5 bar)
Maximum hot water temperature: 70°C
Recommended hot water temperature: 65°C

Note: Exceeding these temperatures or water pressures can result in damage to the tap.

A pressure reducing valve may be required to be fitted in high water pressure situations.

Attention

Before installing the new mixer it is essential that you thoroughly flush through the supply pipes in order to remove any remaining swarf, solder or other impurities.

Failure to carry out this simple procedure could cause problems or damage to the workings of the mixer.

Having first checked all new connections, turn on the mains stopcock, close all taps except the new mixer and as the system starts to refill check for leaks.

Once you have satisfied yourself that there are no leaks, switch on the water heating.

Preparation

First shut off your water heating system then, with your mains stopcock closed, open the lowest hot and cold taps in the house and allow to run until the cold storage tank and pipes are empty (the hot water storage cylinder always remains full).

Installation

First screw the threaded rod and screws into the mixer body. Screw the flexi tails into the mixer body, and fully hand tighten.

Slide the plinth over the flexi tails and flexible pipe on to the base of the tap.

Pass the flexi tails, flexible pipe and threaded rod through the sink top from above, and place the mixer in position on the sink.

Slide the nylon bracing plate up to underside of the sink together with the C-plate rubber washer and retaining plate and secure by screwing the fixing nut finger tight. Check that the mixer body and plinth are correctly positioned and fully tighten fixing nut.

Connect the flexible pipe to the threaded rod with washer provided.

Fix the load weight to the flexible pipe.

Connect the hot and cold supplies.

Having first checked all new connections, turn on the mains stop cock, close all taps except the new mixer and as the system starts to refill check for leaks

It is recommended that 15mm x 15mm compression fittings be used to connect mixer to the supply pipes. Cold is connected to the right and hot on the left when viewed from the front.

Warning

These hints have been prepared for your guidance, you must exercise due care at all times. We do not accept responsibility for any problems that may occur through incorrect installation.

NB: If for any reason the spout is removed from the tap, care must be taken when reinserting the spout into the body to ensure that the Grub Screw is located in the split of the white PTFE ring.

How to care for your tap

To maintain the appearance of this tap, ensure it is cleaned only using a clean, soft damp cloth.

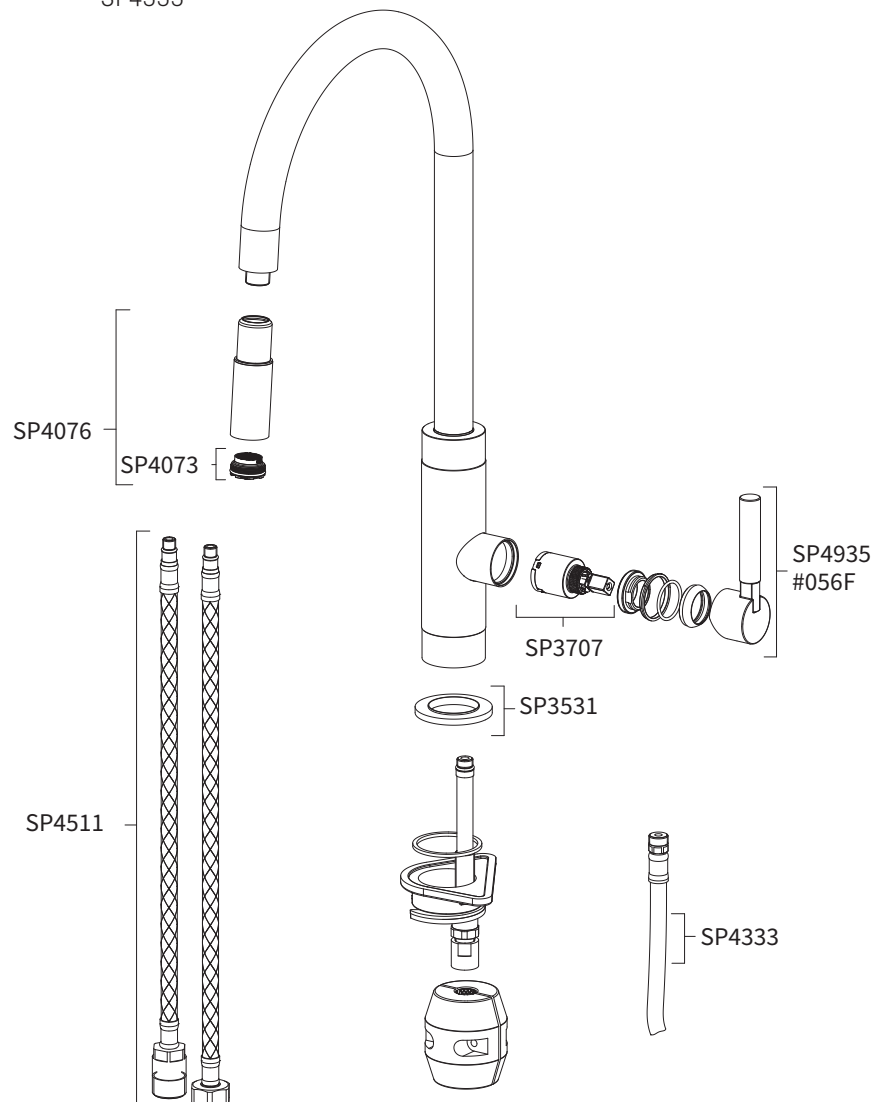
A solution of warm water and mild liquid detergent may be used where necessary, and then the fitting rinsed thoroughly. Abrasive cleaners or acidic cleaners MUST

Available finish

- 115.0691.517 Décor Steel
- 115.0692.199 Brass
- 115.0691.518 Matt Black

Parts list as follows

FRANKE FUN	Description	Part Code
133.0437.463	AERATOR	SP4073
133.0697.542	PULL DOWN DÉCOR STEEL	SP4076 DS
133.0697.543	PULL DOWN BRASS	SP4076 BR
133.0697.544	PULL DOWN MATT BLACK	SP4076 MB
133.0573.879	CARTRIDGE	SP3707
133.0697.545	HANDLE DÉCOR STEEL	SP4935#056F DS
133.0697.546	HANDLE BRASS	SP4935#056F BR
133.0697.547	HANDLE MATT BLACK	SP4935#056F MB
133.0194.113	BASE PLINTH DÉCOR STEEL	SP3531 DS
133.0612.304	BASE PLINTH BRASS	SP3531 BR
133.0612.636	BASE PLINTH MATT BLACK	SP3531 MB
133.0592.330	FLEXI TAILS	SP4511
133.0697.549	HOSE	SP4333



Guarantee

Your Franke mixer has been manufactured to the high standard you would expect of any Franke product but in the unlikely event that you should experience any defect in the materials or workmanship within one year of purchase, we will replace the faulty part free of charge. This is provided the mixer has only been used for normal domestic purposes in the UK and that the care, installation and maintenance instructions have been observed.

You should also retain your dated invoice as proof of purchase to validate any claims under our guarantee. This one year guarantee is extended to five years in the case of the valve mechanism.

Normal wear and tear is excluded from the guarantee. Decorative surface finishes are guaranteed for one year from the date of purchase provided our advice concerning care has been observed and no scouring agents have been used.

Scuffs and scratches caused by improper installation or accidental damage are not covered by this guarantee. Neither are slight shade variations or any damage or defect caused by incorrect installation or abuse of the fitting.

Service

For spare parts, servicing or any other queries, visit www.franke.co.uk

Franke UK Limited
West Park, MIOC
Styal Road
Manchester
M22 5WB
Tel: +44 (0)161 436 6280
Fax: +44 (0)161 436 2180
Email info.uk@franke.com

For spare parts, servicing or any other queries, visit www.franke.co.uk



Optional tap brace

A large or heavy tap fitted to a stainless steel inset sink may occasionally flex the sink. To counteract this, Franke has developed an innovative tap brace that can be purchased separately. The tap brace connects the tap to the worktop and not just to the sink, offering additional support to the tap and much more stability when fitted. The tap brace has a variable collar to ensure it will fit most models of tap and can be used on any inset stainless steel sink.

The Franke tap brace is available on request from most kitchen retailers.

