

FRANKE

Waste Bin

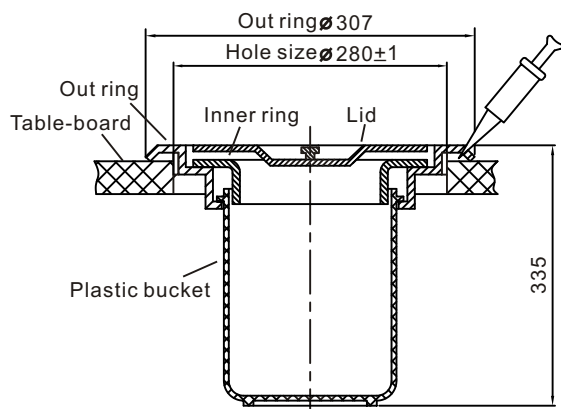
Model: WB1000**P/N: 4008041****Net: 1.48 Kg****Gross: 2.66 Kg****Size: 32.5 x 32.5 x 39CM**

102.00 mm

150.00 mm

Table-board

Waste Bin

MODEL: WB1000**P/N: 4008041****FRANKE****1. Installation instructions**

- 1) Drill the holes according to the diagram on the side.
- 2) After the outside ring has been installed, fill with glass glue as shown in the figure. And put the plastic bucket into the outside ring. Then add the inner ring and the lid.

2. User instructions

- 1) Do not leave any sharp object in the bucket to avoid scratches.
- 2) Do not leave any heavy object inside the bucket to avoid damage.
- 3) Thoroughly clean the plastic bucket after every use. The stainless steel parts (lid, rings, etc.) should be thoroughly cleaned once a week.

114.00 mm

164.00 mm