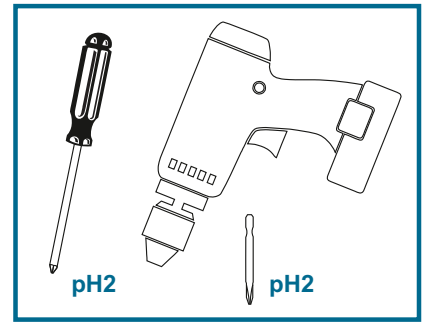
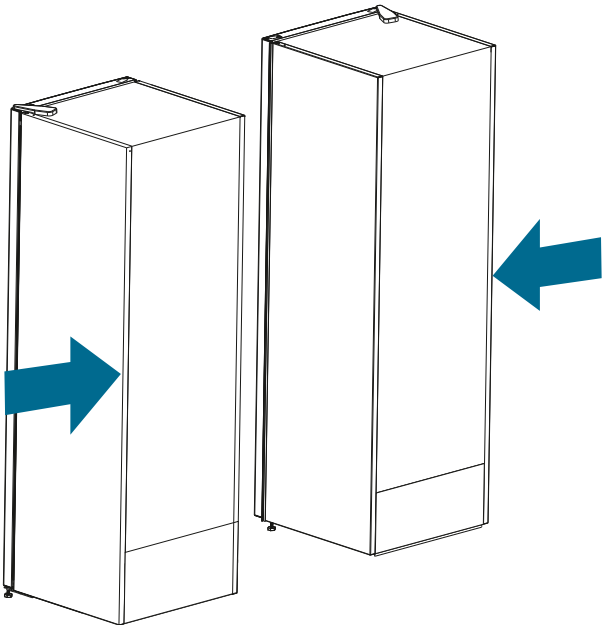


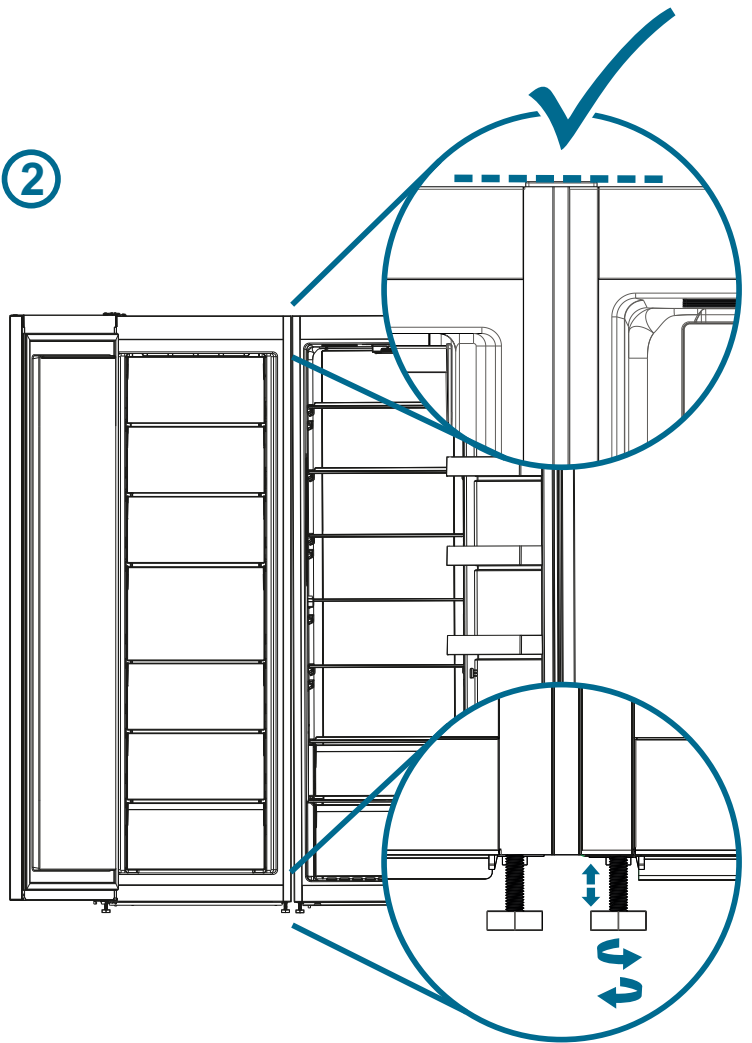
x1

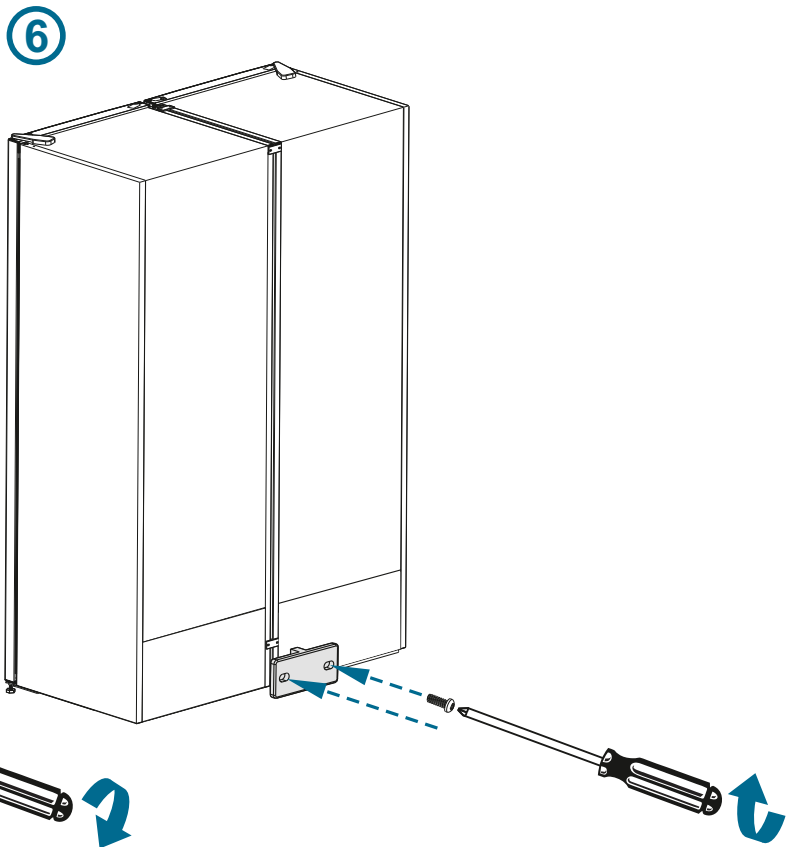
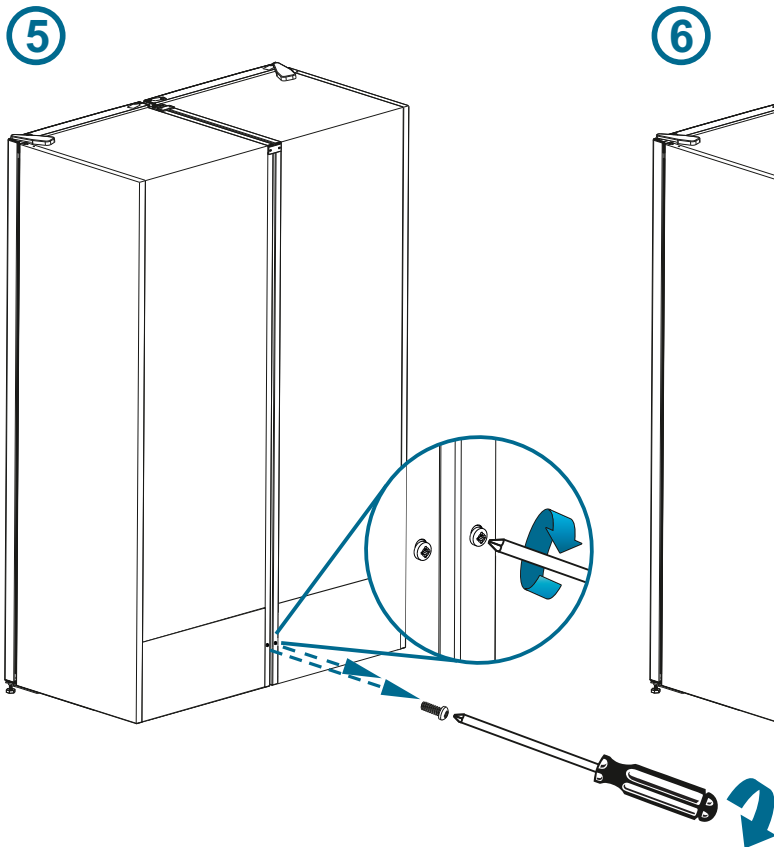
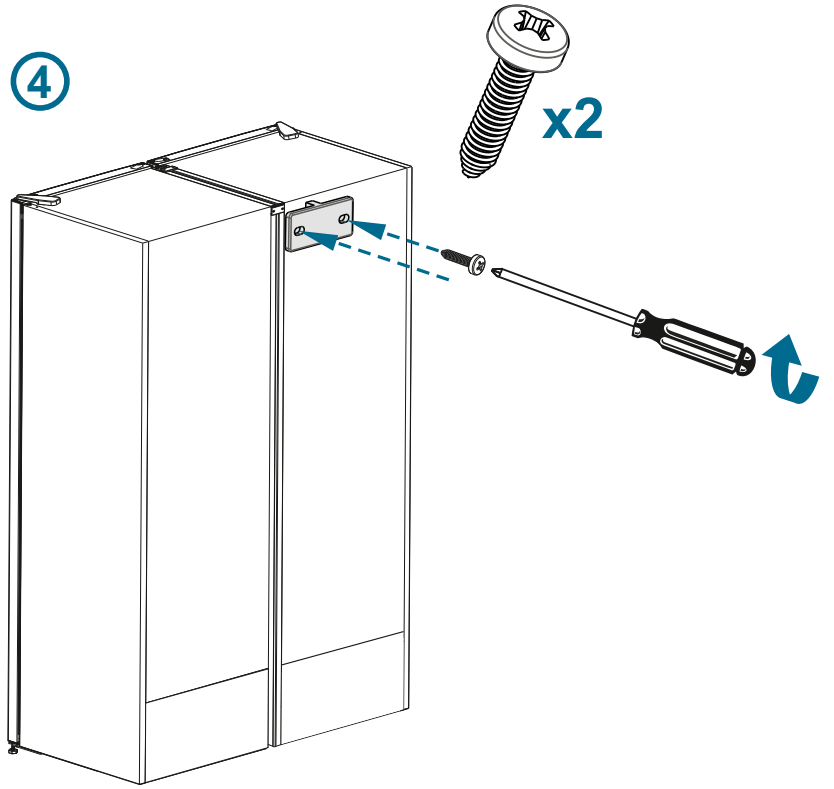
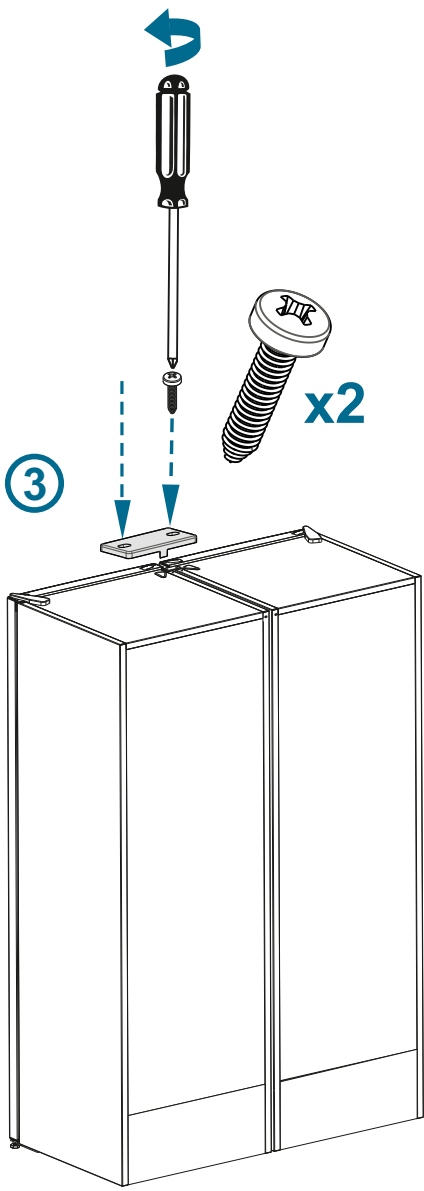


①

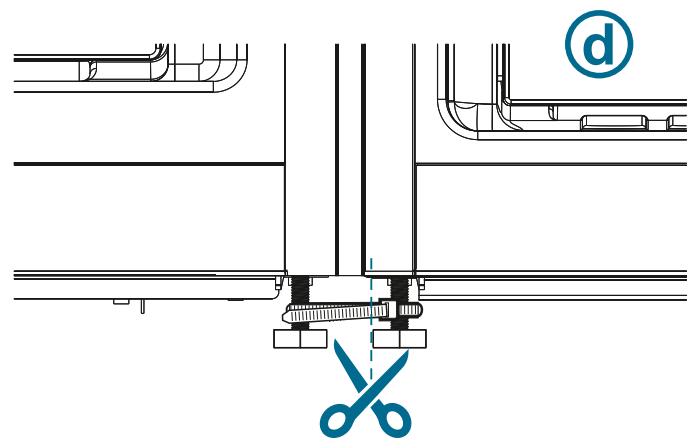
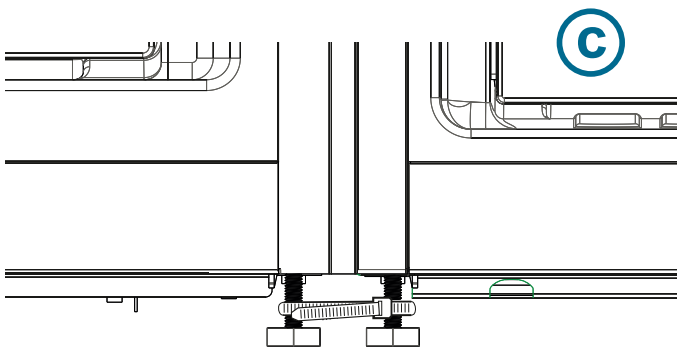
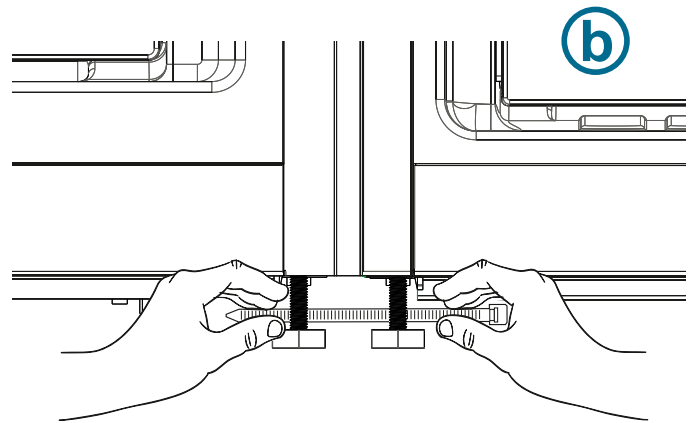
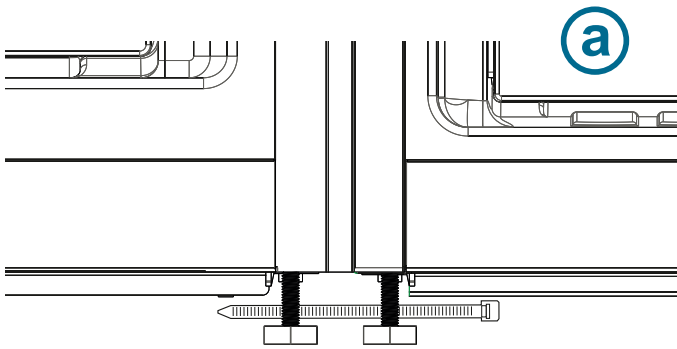
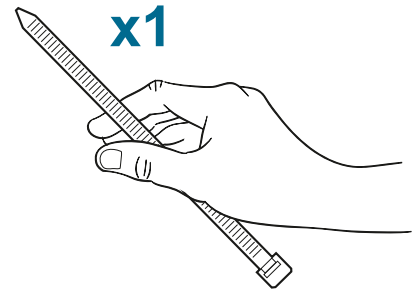
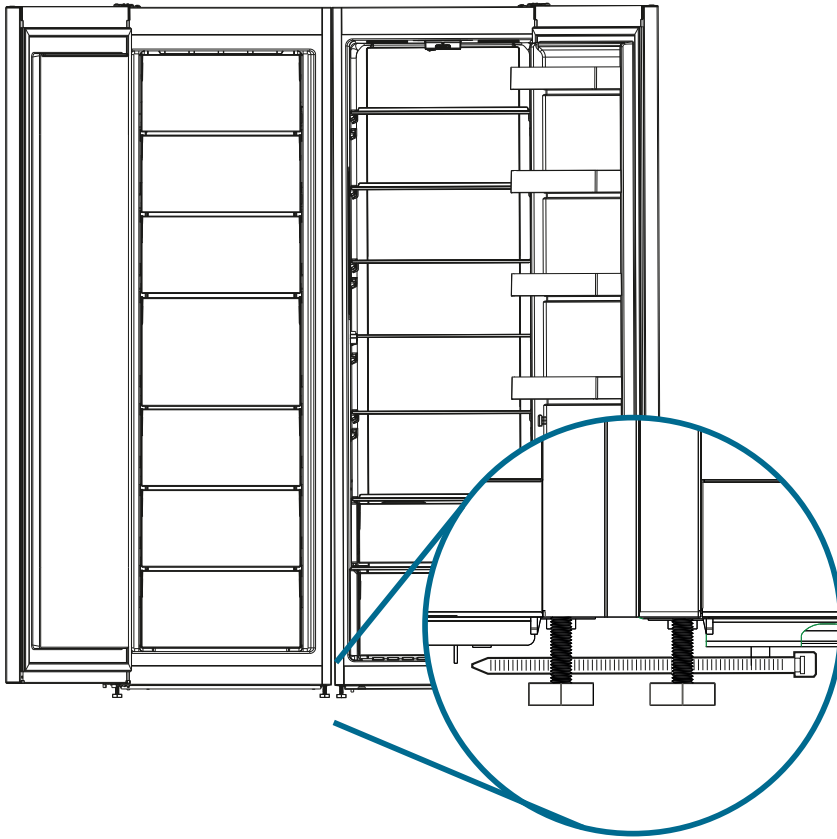


②





7



8

