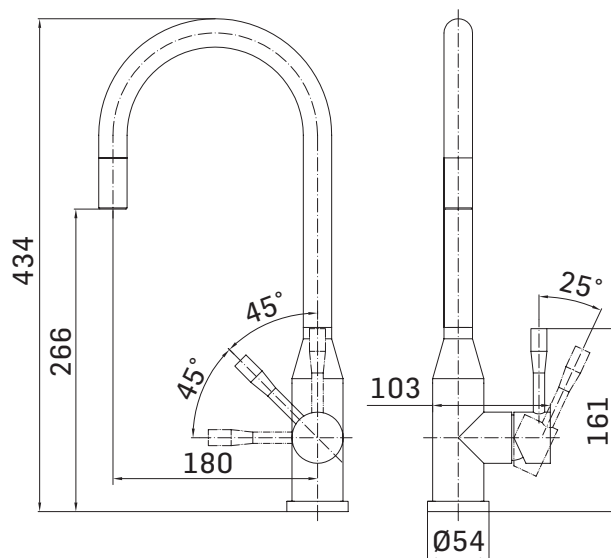


# FRANKE MONTREUX

SPRAY SIDE

Installation instructions



*Make  
it  
Wonderful*

**FRANKE**

## Technical data

Minimum water pressure: 7.25PSI (0.5 bar)  
Maximum water pressure: 75PSI (5 bar)  
Maximum hot water temperature: 70°C  
Recommended hot water temperature: 65°C

**Note:** Exceeding these temperatures or water pressures can result in damage to the tap.

A pressure reducing valve may be required to be fitted in high water pressure situations.

## Attention

Before installing the new mixer it is essential that you thoroughly flush through the supply pipes in order to remove any remaining swarf, solder or other impurities.

Failure to carry out this simple procedure could cause problems or damage to the workings of the mixer.

Having first checked all new connections, turn on the mains stopcock, close all taps except the new mixer and as the system starts to refill check for leaks.

Once you have satisfied yourself that there are no leaks, switch on the water heating.

## Preparation

First shut off your water heating system then, with your mains stopcock closed, open the lowest hot and cold taps in the house and allow to run until the cold storage tank and pipes are empty (the hot water storage cylinder always remains full).

## Installation

The mixer is ready for installation just unscrew the nut from the shank.

After making any necessary alterations to existing pipework, pass the plinth over the tails and fit in position.

The shaped upstand on the plinth will locate in the tap body and the O'ring should be placed in the recess to make a seal with the sink.

When the tap is in position (with the cold side on the right when viewed from the front) slide the retaining plate up to the underside of the sink, and secure by screwing the fixing nut finger tight.

Check that the mixer body and plinth are correctly positioned and fully tighten fixing nut.

Cold is connected to the right and hot on the left when viewed from the front.

## Warning

These hints have been prepared for your guidance, you must exercise due care at all times. We do not accept responsibility for any problems that may occur through incorrect installation. white PTFE ring.

## How to care for your tap

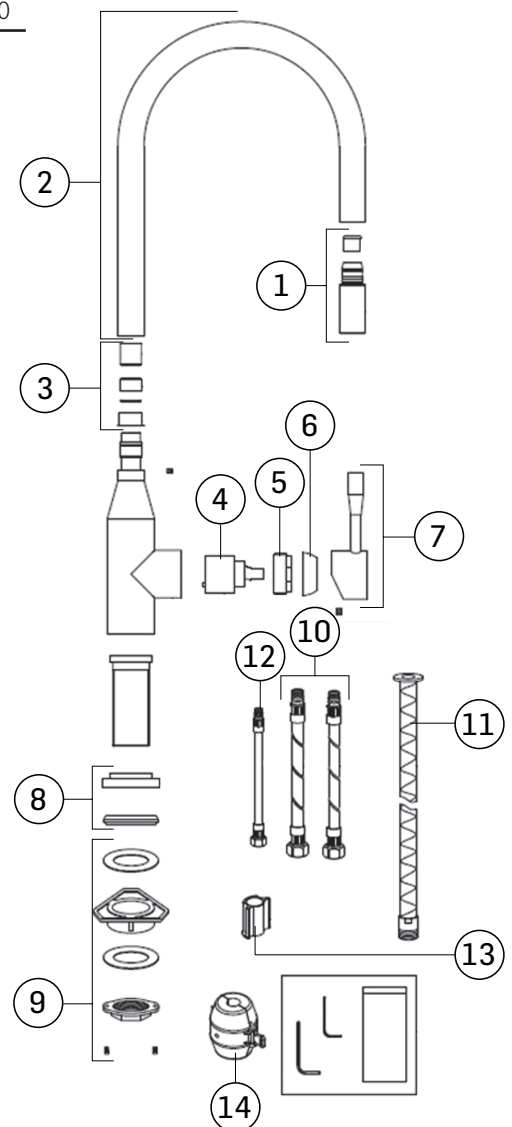
To maintain the appearance of this tap, ensure it is cleaned only using a clean, soft damp cloth. A solution of warm water and mild liquid detergent may be used where necessary, and then the fitting rinsed thoroughly. Abrasive cleaners or acidic cleaners **MUST NOT BE USED** under any circumstances. Avoid contact with all solvents.

## Available finish

115.0567.555 Chrome

## Parts list as follows

Pos.	FUN number	Part name	Part code
1		Hand shower	V0722160000A
2		Completely spout	V0722170000A
3		Connection set	V07221800000
4		Cartridge 35 mm	V090898FK000
5		Locking nut	V0072210000A
6		Covernig cap	V0072220000A
7		Completely Handle	V0722130000A
8		Base + gasket	V0722140000A
9		Fixing set	V07221500007
10		N°2 Inlet hoses M10x1 1/2 F 60 cm	V090421F0C01
11		outlet hoses M10x1 300mm	V07222200001
12		hoses 1,8m M15	V07222100001
13		plastic insert	V00722200000
14		weight	V07222300000



## Guarantee

Your Franke mixer has been manufactured to the high standard you would expect of any Franke product but in the unlikely event that you should experience any defect in the materials or workmanship within one year of purchase, we will replace the faulty part free of charge. This is provided the mixer has only been used for normal domestic purposes in the UK and that the care, installation and maintenance instructions have been observed.

You should also retain your dated invoice as proof of purchase to validate any claims under our guarantee.

This one year guarantee is extended to five years in the case of the valve mechanism.

Normal wear and tear is excluded from the guarantee.

Decorative surface finishes are guaranteed for one year from the date of purchase provided our advice concerning care has been observed and no scouring agents have been used.

Scuffs and scratches caused by improper installation or accidental damage are not covered by this guarantee. Neither are slight shade variations or any damage or defect caused by incorrect installation or abuse of the fitting.

## Service

For spare parts, servicing or any other queries, visit [www.franke.co.uk](http://www.franke.co.uk)

Franke UK Limited  
West Park, MIOC  
Styal Road  
Manchester  
M22 5WB  
Tel: +44 (0)161 436 6280  
Fax: +44 (0)161 436 2180  
Email [info.uk@franke.com](mailto:info.uk@franke.com)

For spare parts, servicing or any other queries, visit [www.franke.co.uk](http://www.franke.co.uk)

