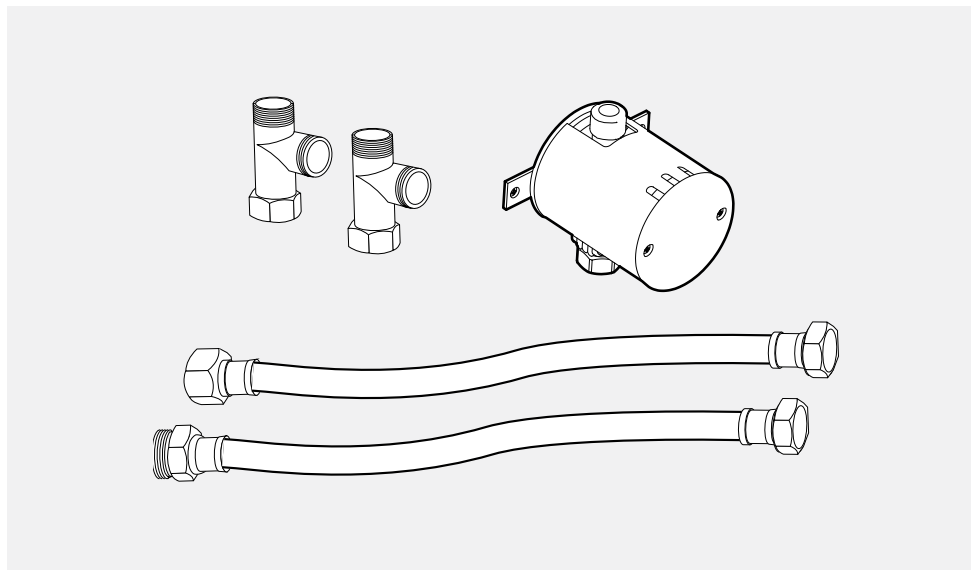


Maris Water Hub

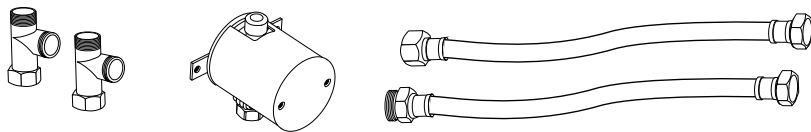


EN Installation and user manual

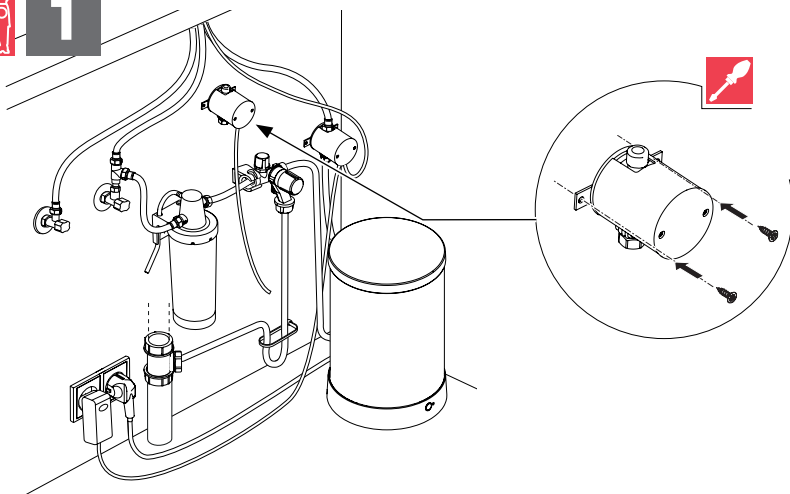
4-in-1 filtration kit

NL Installatie- en gebruikershandleiding

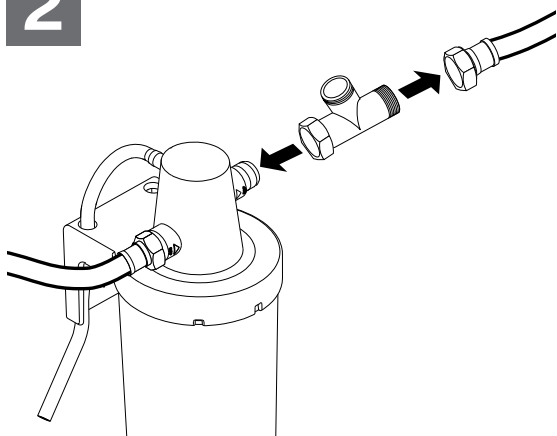
4-in-1 filterset



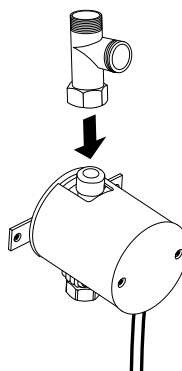
1



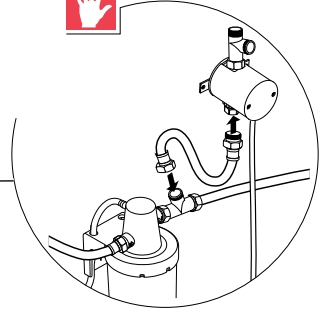
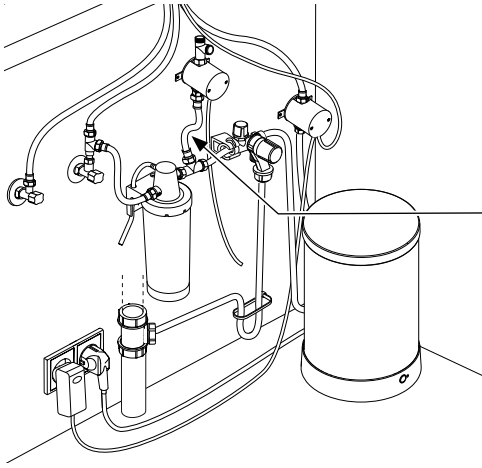
2



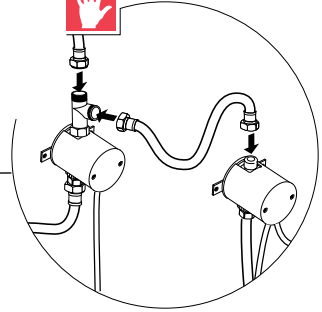
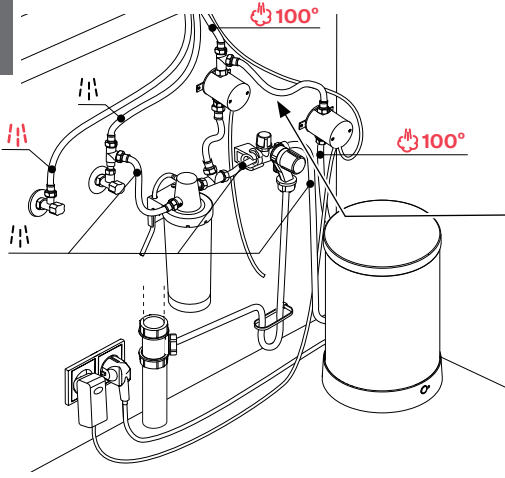
3



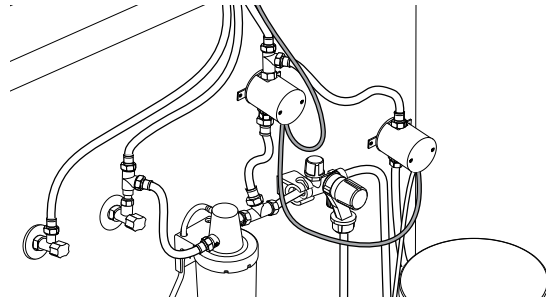
4

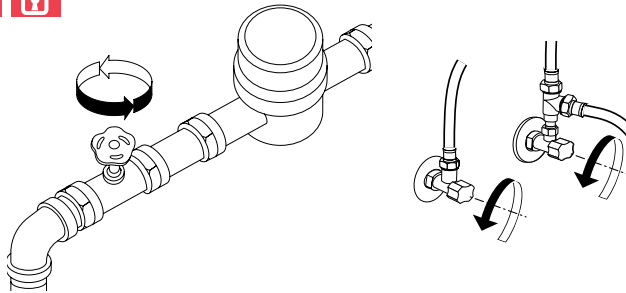


5

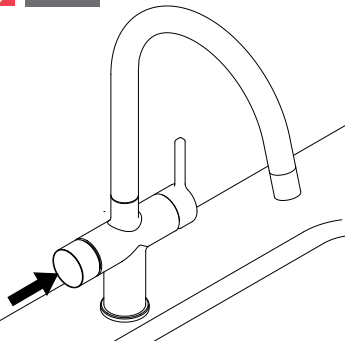


6





1

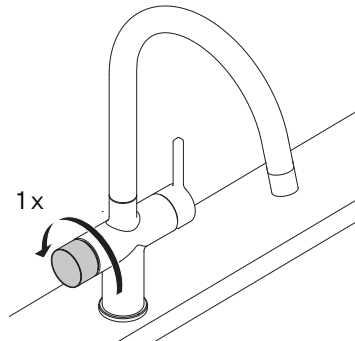


2

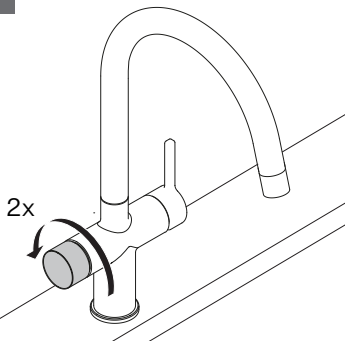


100°

1x



3





EU DECLARATION OF CONFORMITY

Franke S.p.A.
Via Pignolini 2, 37019 Peschiera del Garda, ITALIA
Tel 045 6449311
www.franke.it

We, Franke spa addressed in Via Pignolini 2, 37019, Peschiera del Garda, ITALY, declare under our sole responsibility that the product:

FRANKE CODE: 133.0702.321

MODEL DESCRIPTION: RIC Maris Water Hub Hydraulic Box electr

to which this declaration relates is in conformity with the following directives and standards:

Directives:

- 2014/35/EU “Low Voltage Directive”
- 2014/30/EU “EMC Directive”
- 2011/65/EU “Restriction of the use of certain hazardous substances in electrical and electronic equipment (RoHS)”
- 2015/863/EU “Amending Annex II to Directive 2011/65/EU”
- 2009/125/EG – Erp Directive (ÖkoDesign)

Standards:

- EN IEC 62368-1:2020 + A11:2020
- EN IEC 61000-3-2:2019 + A1:2021
- EN 61000-3-3:2013 + A1:2019 +A2:2021 + A2:2021/AC:2022
- EN 55032:2015 + AC:2016 + A11:2020 + A1:2020
- EN 55035:2017 + A11:2020
- EN IEC 61000-6-1:2019
- EN IEC 61000-6-2:2019
- EN 61000-6-3:2021
- EN IEC 61000-6-4:2019
- EN 55014-1:2021
- EN 55014-2:2021
- EN IEC 63000:2018

Place and date: Peschiera del Garda, 08/05/2023

Franke S.p.A.
Chief Executive Officer
Barbara Borra



Franke S.p.A.
Via Pignolini 2, 37019 Peschiera del Garda, ITALIA
Tel 045 6449311
www.franke.it

DECLARATION OF CONFORMITY

We, Franke spa addressed in Via Pignolini 2 37019 Peschiera del Garda ITALY, declare under our sole responsibility that the product:

FRANKE CODE: 133.0702.240
MODEL DESCRIPTION: RIC Maris Water Hub Hydraulic Box elecUK

to which this declaration relates is in conformity with the following regulations and standards:

Regulations:

- Electrical Equipment (Safety) Regulations 2016 – SI 2016 No. 1101
- Electromagnetic Compatibility Regulations 2016 – SI 2016 No. 1091
- Restriction of the Use of Certain Hazardous Substances in Electrical and Electronic Equipment Regulations 2012 – SI 2012 No. 3032
- Ecodesign for Energy-Related Products and Energy Information Regulations 2019

Standards:

- EN IEC 62368-1:2020 + A11:2020
- EN IEC 61000-3-2:2019 + A1:2021
- EN IEC 61000-3-3:2013 + A1:2019 +A2:2021 + A2:2021/AC:2022
- EN IEC 55032:2015 + AC:2016 + A11:2020 + A1:2020
- EN IEC 55035:2017 + A11:2020
- EN IEC 63000:2018
- EN IEC 61000-6-1:2019
- EN IEC 61000-6-2:2019
- EN IEC 61000-6-3:2021
- EN IEC 61000-6-4:2019
- EN IEC 55014-1:2021
- EN IEC 55014-2:2021

Place and date: Peschiera del Garda, 17/10/2023

Franke S.p.A.
Chief Executive Officer

