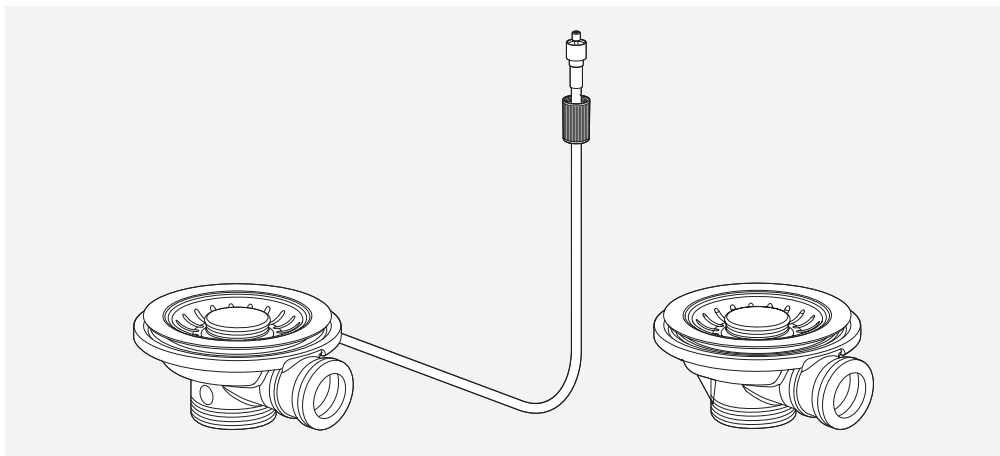
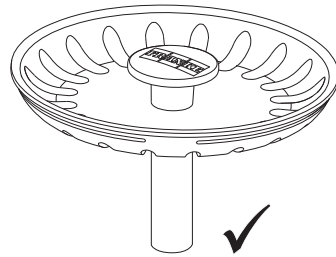
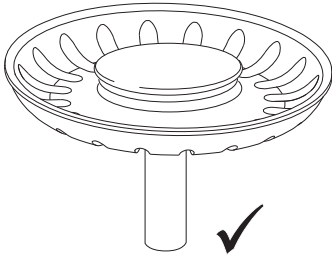


## Waste Kit Australia 2"



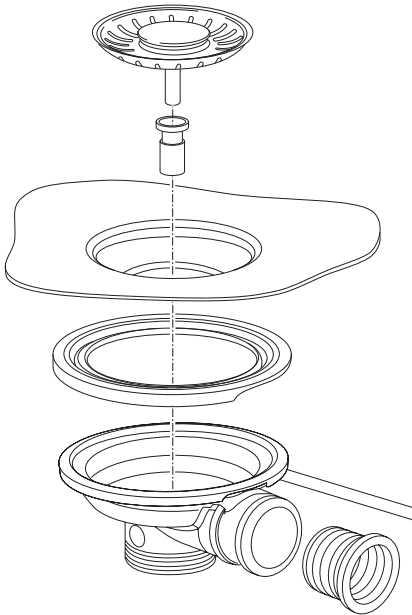
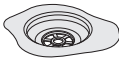
**EN** Installation and user manual

Waste kits Australia 2"

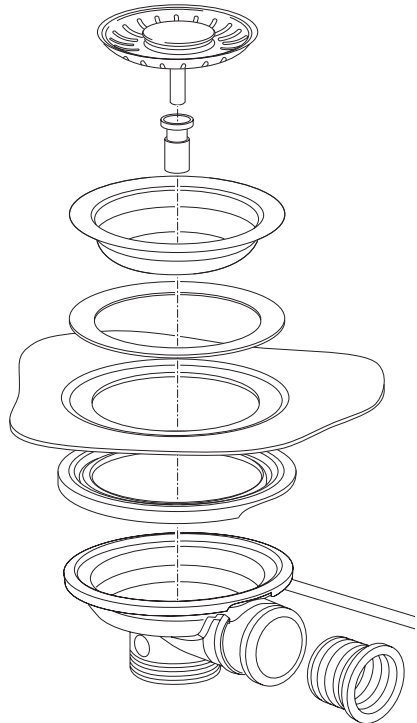


**1**

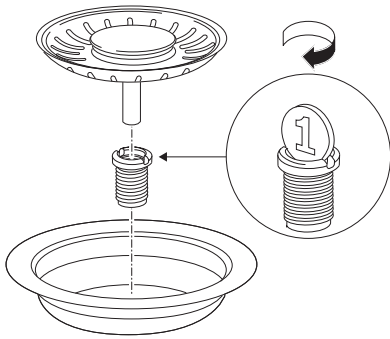
**A**



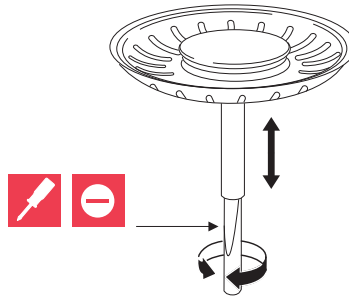
**B**



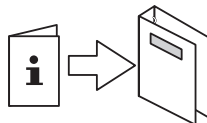
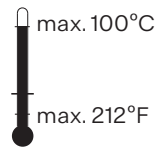
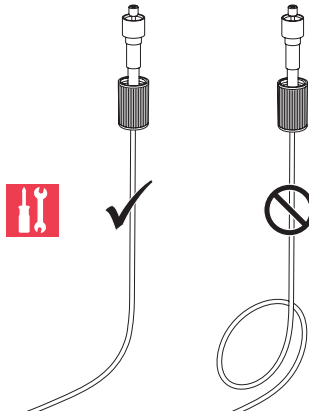
2



3



i



Reference to installation in accordance with the plumbing code of Australia.

**Australia**

Franke Australia  
Dandenong South VIC 3175  
Phone: +61 3 9700 9100

**New Zealand**

Franke Australia  
Dandenong South VIC 3175  
Phone: +64 9 964 0400