



# **Instructions for use and installation**

Cooker Hood

**FDW 908 IB XS  
FDW 908 IB WH**

# INDEX

---

SAFETY INFORMATION .....	3
CHARACTERISTICS .....	6
INSTALLATION .....	8
USE .....	18
CARE AND CLEANING .....	20

## SAFETY INFORMATION

---

**i** For your safety and correct operation of the appliance, read this manual carefully before installation and use. Always keep these instructions with the appliance even if you move or sell it. Users must fully know the operation and safety features of the appliance.

**⚠** The wire connection has to be done by specialized technician.

- The manufacturer will not be held liable for any damages resulting from incorrect or improper installation.
- The minimum safety distance between the cooker top and the extractor hood is 650 mm (some models can be installed at a lower height, please refer to the paragraphs on working dimensions and installation).
- If the instructions for installation of the gas hob specify a greater distance, this must be respected.
- Check that the mains voltage corresponds to that indicated on the rating plate fixed to the inside of the hood.
- Means for disconnection must be incorporated in the fixed wiring in accordance with the wiring rules.
- For Class I appliances, check that the domestic power supply guarantees adequate earthing.
- Connect the extractor to the exhaust flue through a pipe of minimum diameter 120 mm. The route of the flue must be as short as possible.
- Regulations concerning the discharge of air have to be fulfilled.
- Do not connect the extractor hood to exhaust ducts carrying combustion fumes (boilers, fireplaces, etc.).

- If the extractor is used in conjunction with non-electrical appliances (e.g. gas burning appliances), a sufficient degree of aeration must be guaranteed in the room in order to prevent the backflow of exhaust gas. When the cooker hood is used in conjunction with appliances supplied with energy other than electric, the negative pressure in the room must not exceed 0,04 mbar to prevent fumes being drawn back into the room by the cooker hood.
- The air must not be discharged into a flue that is used for exhausting fumes from appliances burning gas or other fuels.
- If the supply cord is damaged, it must be replaced from the manufacturer or its service agent.
- Connect the plug to a socket complying with current regulations, located in an accessible place.
- With regards to the technical and safety measures to be adopted for fume discharging it is important to closely follow the regulations provided by the local authorities.

**⚠ WARNING:** Before installing the Hood, remove the protective films.

- Use only screws and small parts supplied with the hood.


**⚠ WARNING:** Failure to install the screws or fixing device in accordance with these instructions may result in electrical hazards.

- Do not look directly at the light through optical devices (binoculars, magnifying glasses...).
- Do not flambè under the range hood; risk of fire.
- This appliance can be used by children aged from 8 years and above and persons with reduced physical, sensory or mental capabilities or lack of experience and knowledge if they have been given supervision or instruction concerning use of the appliance in a safe way and understand the hazards involved. Children shall not play with the appliance. Cleaning and user maintenance shall not be made by children without supervision.
- Children should be supervised to ensure that they do not play with the appliance.

- The appliance is not to be used by persons (including children) with reduced physical, sensory or mental capabilities, or lack of experience and knowledge, unless they have been given supervision or instruction.

**⚠** Accessible parts may become hot when used with cooking appliances.

- Clean and/or replace the Filters after the specified time period (Fire hazard). See paragraph Care and Cleaning.
- There shall be adequate ventilation of the room when the range hood is used at the same time as appliances burning gas or other fuels (not applicable to appliances that only discharge the air back into the room).

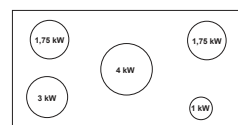
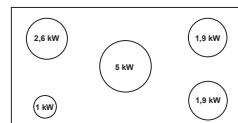
- The symbol  on the product or on its packaging indicates that this product may not be treated as household waste. Instead it shall be handed over to the applicable collection point for the recycling of electrical and electronic equipment. By ensuring this product is disposed of correctly, you will help prevent potential negative consequences for the environment and human health, which could otherwise be caused by inappropriate waste handling of this product. For more detailed information about recycling of this product, please contact your local city office, your household waste disposal service or the shop where you purchased the product.

## Extending/retracting the appliance

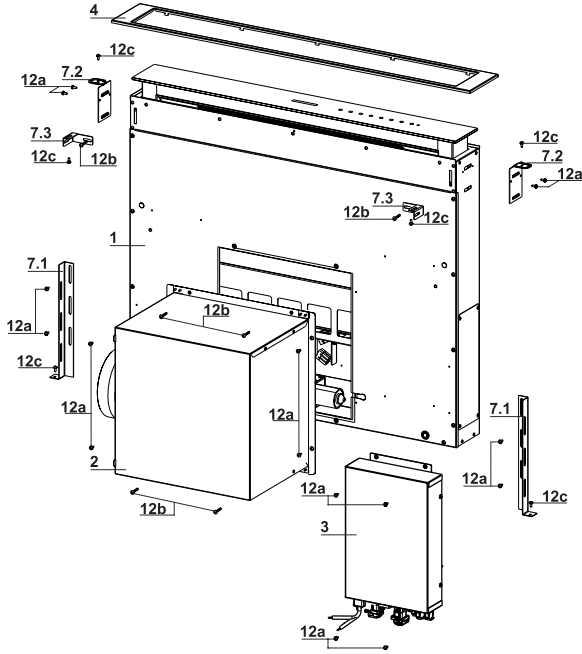
### Risk of injury!

**⚠** Risk of jamming when retracting and extending the appliance. Never reach into the moving area of the appliance while it is being retracted or extended. Keep children at a safe distance.

- This Cooker hood can be used in conjunction with a Gas Cook Top having the following characteristics:
- Maximum power 12,4 kW
- 5 fire like the picture.



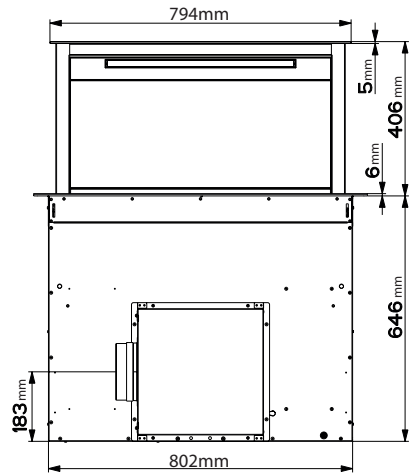
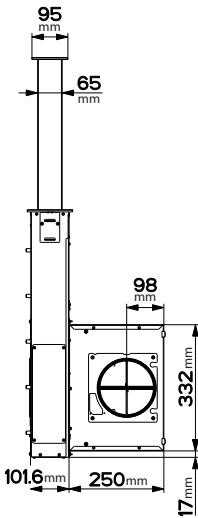
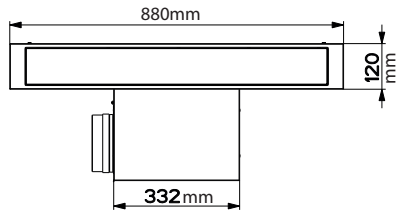
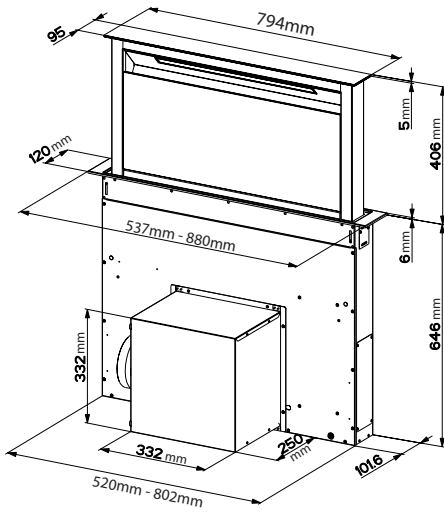
# CHARACTERISTICS



## Components

Ref.	Q.ty	Product Components
1	1	Hood Canopy complete with: Controls, Light, Filters
2	1	Motor unit
3	1	Electric unit
4	1	Front Frame
8	1	Directional Air Outlet grille
9	1	Reducer Flange $\varnothing$ 150-120 mm
10	1	Damper
Ref.	Q.ty	Installation Components
7.1	2	Splashback Fixing Bracket
7.2	2	Hob Fixing Bracket
7.3	2	Side Bracket
12a	16	Screws 3.5 x 9.5
12b	6	Screws M4 x 8
12c	6	Screws 4 x 15
12e	2	Screws 2.9 x 9.5
Q.ty	Documentation	
1	Instruction Manual	

## Dimensions



# INSTALLATION

---

This Hood is set up to be fitted inside the kitchen unit in:

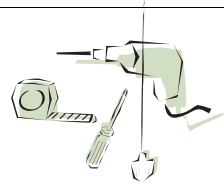
- **Ducting version:** Evacuation to the outside.
- **Recirculation version:** Internal recirculation.

---

## Sequence of operations - Installation

---

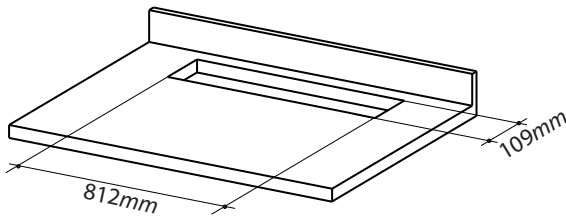
- **Drilling the Support Surface and Fitting the Hood**
- **Connections**
- **Functional Check**
- **Disposal of Packaging**



---

## Drilling the Support Surface

---



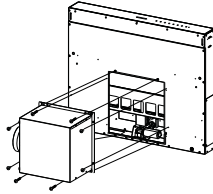
### IMPORTANT

The distance between the opening made for the cooker hob and the one for the suction device must be minimum 3cm - maximum 5cm, according to the strength of the material used for the top.

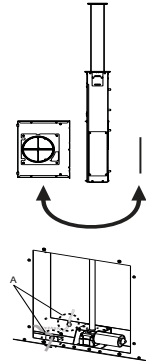


## Inserting the Hood Canopy into the support surface from below

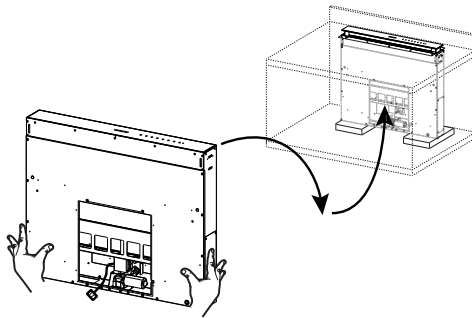
- The Hood is built ready for front installation of the Motor Unit.



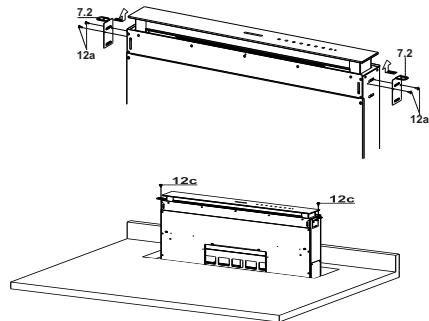
- If the kitchen unit is arranged differently and the Motor Unit has to be fitted on the back, the Plug already fitted on the back of the Hood Canopy must be removed and replaced at the front, and the Cable with cable raceway for connection of the Motor must also be repositioned using the slot provided on each side (A). Before proceeding, the Motor Unit must be fixed to the Hood Canopy (see paragraph on Fixing the Motor Unit).



- Insert the Hood Canopy from below into the support worktop, drilled as described above.
- With the aid of a support, lift the Hood Canopy until the front comes out of the Worktop.



- Insert the Brackets 7.2, as indicated in the figure, into the slots provided and fix them with the screws 12a provided.
- Centre the Hood Canopy with respect to the Cooking Hob slot.
- Using the 2 screws 12c provided, fix the Hood Canopy to the worktop and remove the supports.

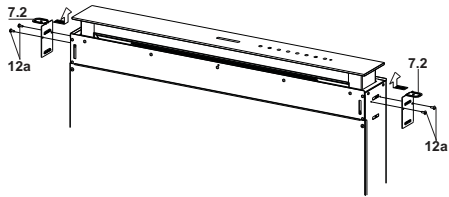


### Warning:

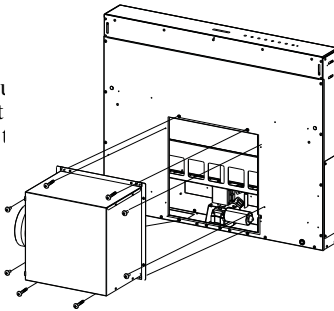
If the cooker top is made from a material that does not allow the screws 12c to be inserted, use a small amount of silicone to glue the Brackets 7.2 to the top and allow it to dry completely before proceeding with installation

## Inserting the Hood Canopy into the support surface from above

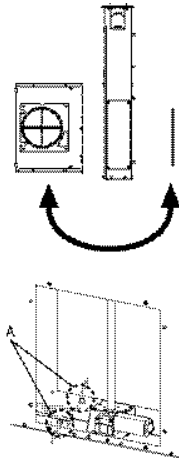
- Insert the Brackets **7.2**, as indicated in the figure, into the slots provided and fix them with the screws **12a** provided.



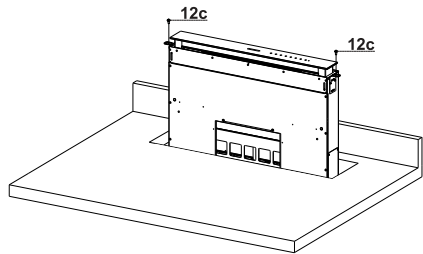
- The Hood is built ready for front installation of the Motor Unit.



- If the kitchen unit is arranged differently and the Motor Unit has to be fitted on the back, the Plug already fitted on the back of the Hood Canopy must be removed and replaced at the front, and the Cable with cable raceway for connection of the Motor must also be repositioned using the slot provided on each side (A).



- Insert the Hood Canopy into the cooker top, drilled as described above.
- Centre the Hood Canopy with respect to the Cooking Hob slot.
- Fix the Hood Canopy with the 2 screws **12c** provided.

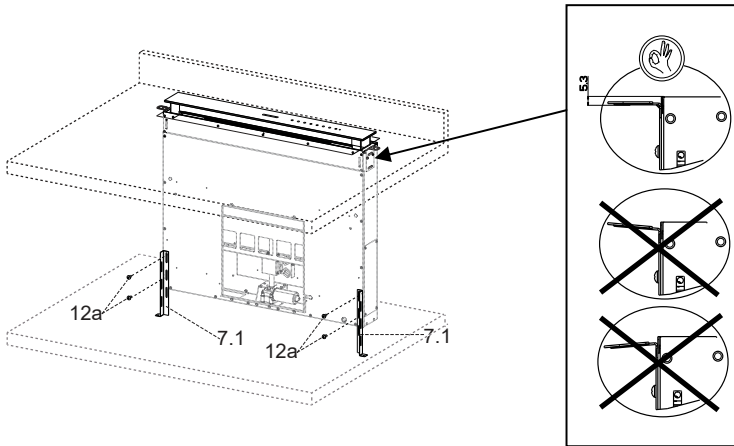


### Warning:

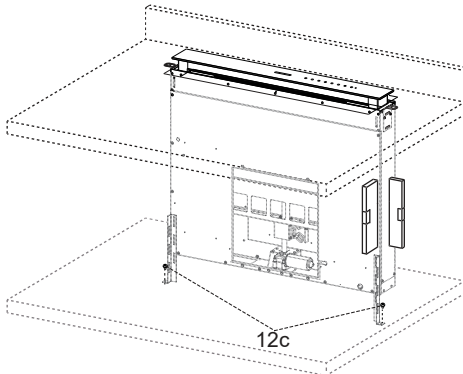
If the cooker top is made from a material that does not allow the screws **12c** to be inserted, use a small amount of silicone to glue the Brackets **7.2** to the top and allow it to dry completely before proceeding with installation.

## Fixing the Lower Brackets

- Screw the brackets **7.1** to the front of the Hood Canopy using the screws **12a** provided.
- Before tightening the Brackets completely, make all the adjustments to allow them to rest on the lower base of the worktop to avoid deformation of the upper brackets **7.2** as shown in the figure.



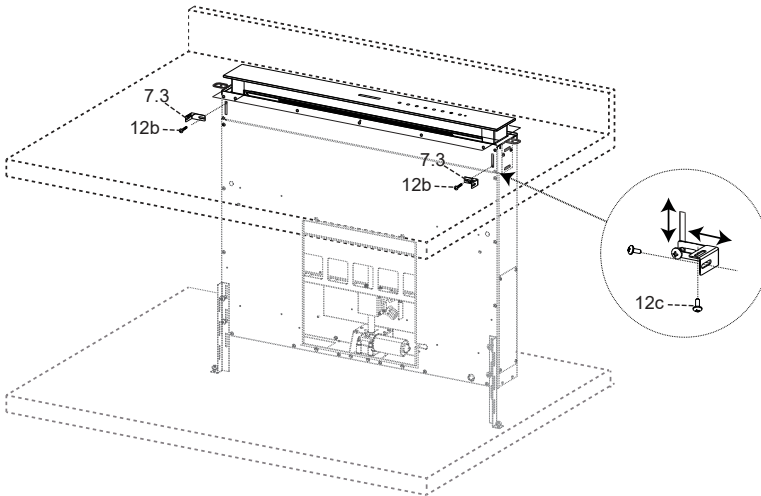
- With the aid of a spirit level, set the Hood Canopy level vertically and fix it to the Lower Surface using 2 screws **12c** provided.



- Tighten the screws **12a** completely.

## Fixing the Squaring Brackets

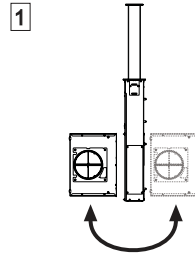
- Screw the brackets **7.3** to the Hood Canopy using the screws **12b** provided, without tightening completely.
- Using the screws **12c** provided, fasten the other part of the brackets **7.3** either to the side walls of the unit or to the lower part of the cooker top.



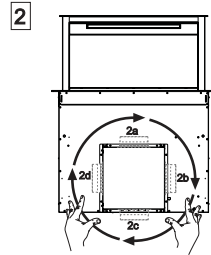
- Tighten the screws **12c** and **12b** completely.

## Fixing the Motor Unit

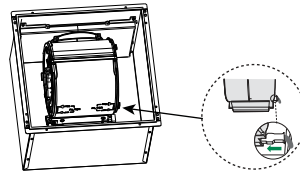
- Installation of the Motor Unit (1) at the front or rear must be decided according to the position of the Kitchen unit, making sure that the plug is properly positioned.



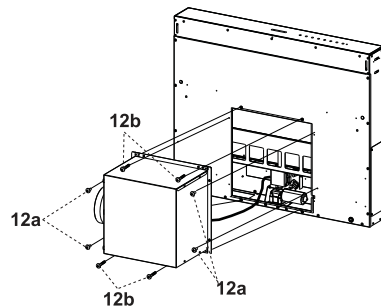
- Subsequently, according to where the air outlet opening has been created on the unit, the Motor Unit can be turned by 90° at a time so as to allow the air to come out on all 4 sides in correspondence with the opening in Unit (2).



- Connect the connector from the Hood Canopy to the Motor Unit connection.

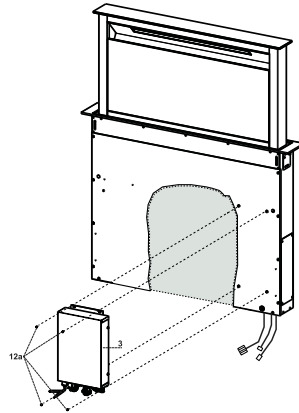


- Screw the Motor Unit to the Hood Canopy using the screws 12a and 12b provided as shown in the figure.

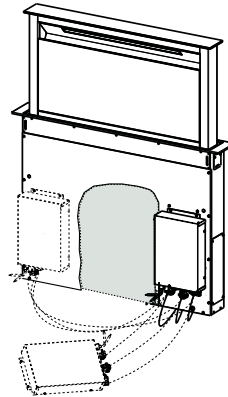


## Fixing the Electric Unit

- Connect the Electric cables that come out of the lower right hand part of the Hood Canopy to the Connectors on the Electric unit.
- Each cable connector has a corresponding connector on the Electric Unit, so take care not to make mistakes when connecting up.



- Fix the Electric Unit to the Hood Canopy using the screws **12a** provided.
- The position indicated in the figure is only an option, as if necessary it may also be fitted on the left of the Hood Canopy or even left free on the base of the unit if there are no structural or safety problems involved.



**⚠ Warning..: Do not install the product in such a way that the wiring box is in contact with the floor.**

## Connections

### DUCTED VERSION AIR EXHAUST SYSTEM

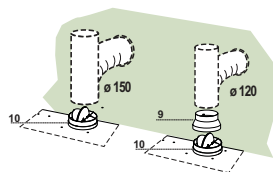
When installing the ducted version, connect the hood to the chimney using either a flexible or rigid pipe  $\varnothing$  150 or 120mm, the choice of which is left to the installer.

#### To install a $\varnothing$ 150 pipe

- To install the dumper **10**
- Fix the pipe in position using sufficient pipe clamps (not supplied).

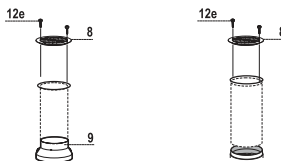
#### To install a $\varnothing$ 120 pipe

- To install a  $\varnothing$  120 mm air exhaust connection, insert the reducer flange **9** on the dumper **10**.
- Fix the pipe in position using sufficient pipe clamps (not supplied).
- Remove any activated charcoal filters.



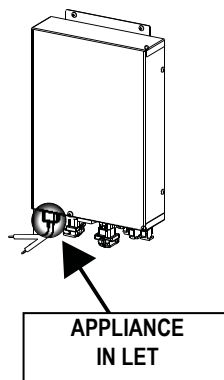
### AIR OUTLET – RECIRCULATION VERSION

- Connect the Flange to the air outlet opening using a rigid or flexible pipe of  $\varnothing$ 120 or 150 mm.
- To connect using a  $\varnothing$ 120 mm pipe, insert the reduction Flange **9** onto the Hood canopy outlet.
- Fasten the pipe using suitable pipe clamps. The materials required to do so are not provided.
- Fix the directional Grid **8** on the outlet, using 2 screws **12e** (2.9 x 9.5) provided.
- Make sure that the activated charcoal filters are present (see paragraph on Activated Charcoal Filter Maintenance).



### ELECTRICAL CONNECTION

- Connect the hood to the mains through a two-pole switch having a contact gap of at least 3 mm..



## Fitting the Front element

- Lift the mobile hood canopy (see paragraph on Use) by just a few centimetres.
- To stop movement, simply press down on the mobile canopy as it lifts up.

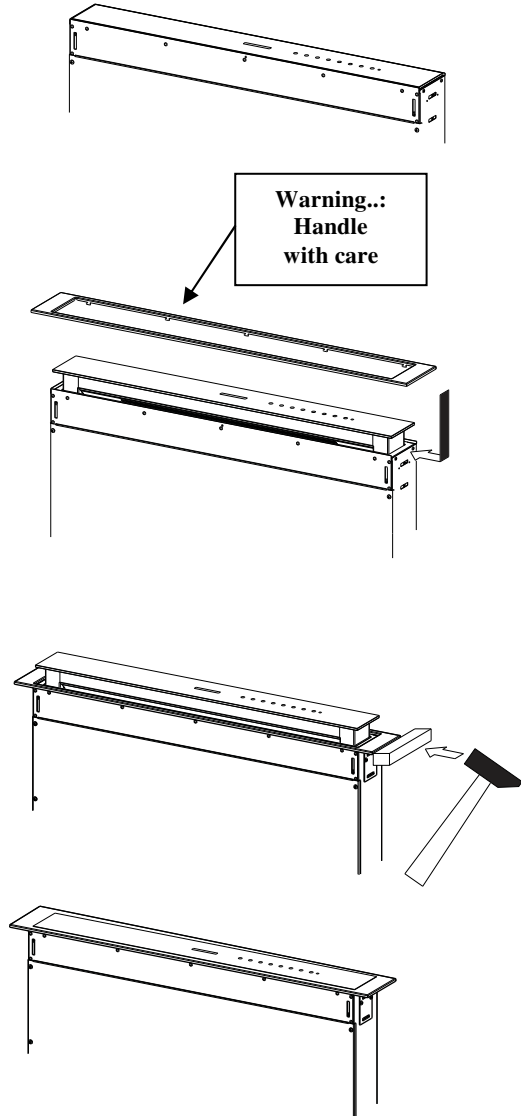
**Warning:** Never block the sliding door when it is opening or closing, except during the operations required to fit the frame.

- Remove the sponge guards from the corners of the glass.
- Take the front Frame and insert it from above, making sure that its tabs insert into the slots provided on the Hood and sliding it to the left.

**Warning..:** All the tabs must be inserted.

- Use a tool (hammer) to tap all along the front Frame from right to left until it is completely flush. A piece of wood or similar element can be inserted between the hammer and the front Frame to prevent any damage.

- Please refer to the paragraph on Use for indications of how to return the mobile canopy to the Standard position.

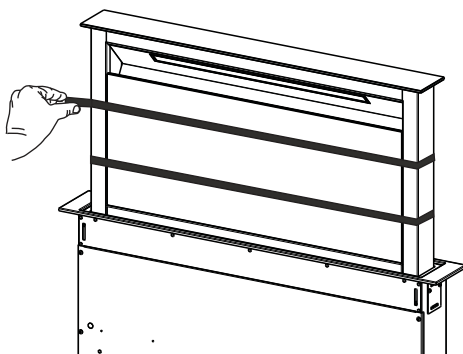




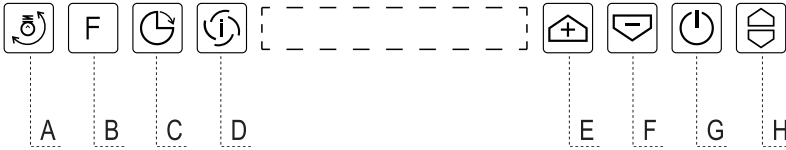
## Surround Suction Panel

---

- Open the Hood Door (see USE).
- Remove the 2 strips of adhesive tape fastening the panel during transport.



# USE



## Control panel

Button	Function	LED button
A	The button only works when the door is open.	
	Press Briefly = Turns the <b>Lights</b> On/Off at maximum intensity.	
	Press and hold for 2 Seconds = Turns the <b>Courtesy lights</b> On/Off.	
B	Door Open or Closed Press briefly(Motor Off) = performs a <b>Reset</b> of the Filter saturation alarm.	After 100 hours in operation the <b>Drop</b> symbol is displayed to indicate saturation of the Metal Grease Filters. After 200 hours in operation the letter <b>C</b> is displayed to indicate saturation of the Activated Charcoal filters.
	Door Open or Closed Press and hold for 2 Seconds = Enables/Disables the <b>Activated Charcoal Filter Alarm</b> with the Motor turned off and no Filter Alarm triggered.	Symbol <b>C</b> flashes twice = A.C. Filter Alarm Activated Symbol <b>C</b> flashes once = A.C. Filter Alarm Deactivated
C	Door Open. Press briefly = Activates/Deactivates <b>Delay</b> mode, causing automatic shutdown of the Motor and the Lighting system from any speed with a 30' delay. It is disabled by pressing the same button again, turning the motor off or closing the door.	Displays the <b>Clock</b> symbol.
	Works both with Door Closed and Open with Motor + Lights = Off. Press and hold for 4 Seconds = Enables/disables the <b>Keyboard Lock</b> .	All the LED buttons flash twice. During the Lock the LED buttons light up in sequence.
D	Only works with the Door Open. Press briefly = Enables/Disables the <b>Intensive</b> speed. This speed is timed to run for 6 minutes. At the end of this time the system will return to the speed set previously. It is disabled by pressing the same button again, turning the motor off or closing the door.	Displays the <b>I</b> symbol.
E	Only works with the Door Open = increases the working speed.	The number of lighted segments increases.
F	Only works with the Door Open = decreases the working speed.	The number of lighted segments decreases.
G	Only works with the Door Open. Press briefly = <b>Turns the Motor On or Off</b>	LEDs turn off
	Door Open or Closed Press and hold for 2 Seconds with Motor and Lights Off = Enables/Disables the <b>Remote control</b> .	LED keys flash twice = Remote control Enabled LED keys flash once = Remote control Disabled
H	Door Open = <b>Closes the Door</b> + Lights and Motor Off Door Closed = <b>Opens the Door</b> + Lights and Motor On. <b>Warning:</b> If the Door remains partially open for any reason, press the Button to complete the opening or closing cycle.	

## REMOTE CONTROL (OPTIONAL)







This appliance can be controlled using a remote control.



### Remote control panel

**Warning...:** The remote control receiver is deactivated when first supplied. To activate it, see the paragraph **Use**.

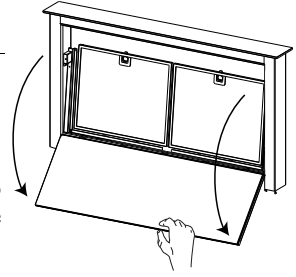


	<b>Motor</b>	Door Closed: Opens the door, turns the motor on at speed one and turns the lights on at maximum intensity.  Door Open: Brief pressure: Motor On / Off Pressed for 2 Seconds: Closes the Door and Motor + Lights = Off
	<b>Light</b>	Only with Door Open: Brief pressure: Lights On / Off Pressed for 2 Seconds: Courtesy lights On / Off
	<b>Intensive</b>	Only with Door Open: Activates the Intensive function
	<b>Delay</b>	Only with Door Open: Activates the Delay function
	-	Only with Door Open: Increases the working speed each time it is pressed.
	-	Only with Door Open: Decreases the working speed each time it is pressed.

# CARE AND CLEANING

## Cleaning the Comfort Panels

- Open the Comfort Panel by pulling it at the top.
- Disconnect the panel from the hood canopy.
- The comfort panel must never be washed in the dishwasher.
- Clean the outside with a damp cloth and neutral detergent.
- Clean the inside using a damp cloth and neutral detergent; do not use wet cloths or sponges, or jets of water; do not use abrasive substances.
- On completing the operation, hook the panel and close it.



## Metal grease filters

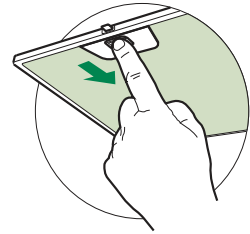
These can also be washed in the dishwasher, and need to be cleaned whenever the “**drop**” symbol lights up or at least once every 2 months use, or more frequently if use is particularly intensive.

### Resetting the alarm signal

- Turn the Lights and the Suction Motor off.
- Press button **B** (see paragraph on Use).

### Cleaning the Filters

- Open the Door (see USE).
- Open the Comfort panel by pulling it.
- Remove the Filters one at a time, pushing them towards the back of the unit and at the same time pulling downward.
- Wash the Filters without bending them, and leave them to dry completely before replacing. (If the surface of the filter changes colour as time goes by, this will have absolutely no effect on the efficiency of the filter itself.)
- Replace, taking care to ensure that the handle faces forwards.
- Close the Comfort panel.



## Activated Charcoal Filter (Recirculation Version)

---

Can be washed in the dishwasher. It must be washed when button “C” lights up or at least once every 4 months, or more frequently if use is particularly intense. Guaranteed to operate after washing for up to a maximum of 5 times before requiring replacement. The Alarm signal, if it has been activated, only appears when the Suction motor is turned on.

### Activating the alarm signal

- In Recirculation Version Hoods, the Filter Saturation Alarm must be activated on installation or at a later date.
- Turn the Lights and the Suction Motor off.
- Press and hold button **B** for 2 seconds:
  - Symbol “C” flashes twice – Activated Charcoal Filter saturation alarm ACTIVATED.
  - Symbol “C” flashes once – Activated Charcoal Filter saturation alarm DEACTIVATED.

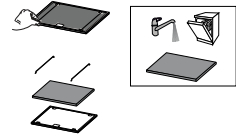
### CHANGING THE ACTIVATED CHARCOAL FILTER

#### Resetting the alarm signal

- Turn the Lights and the Suction Motor off.
- Press button **B** (see paragraph on Use).

#### Changing the Filter

- Remove the comfort panel.
- Remove the Metal grease filters.
- Remove the metal filter stops from the grease filter and clean the saturated activated charcoal odour filter.
- Replace the clean activated charcoal filter, hooking it back up to the grease filter using the metal filter stops.
- Replace the Metal grease filters.
- Close the comfort panel.



---

## Lighting unit

- For replacement contact technical support ("To purchase contact technical support").







Franke S.p.a.  
Via Pignolini, 2  
37019 Peschiera del Garda (VR)  
[www.franke.it](http://www.franke.it)

Franke Sistemas de Cozinhas do Brasil  
Dona Francisca, 8.300. Bloco N – Sala 49 – Condomínio Perini Business Park  
Distrito Industrial - 89219-600  
Joinville - SC - Brasil  
Fone +55 47 3431 0500