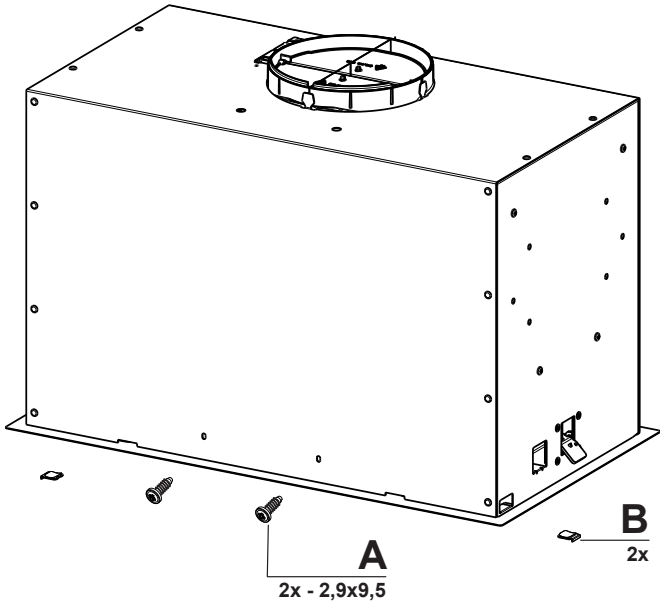
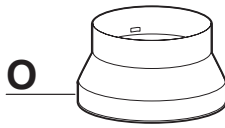
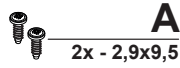
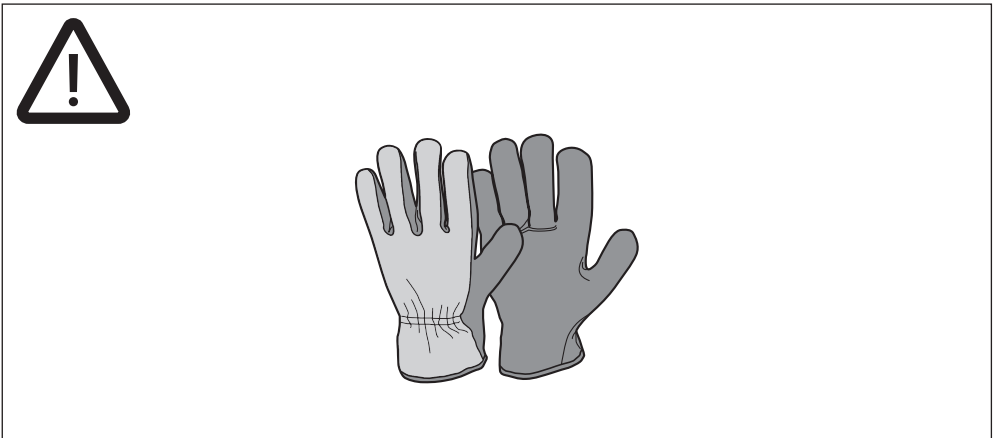
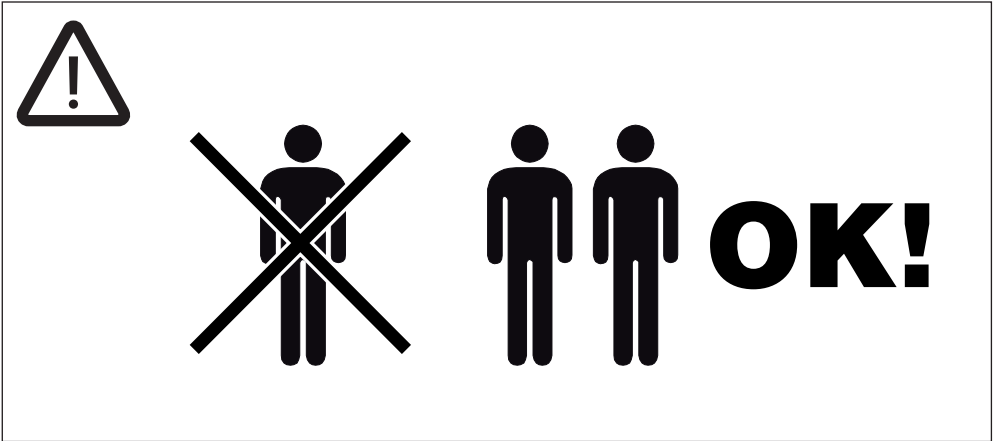
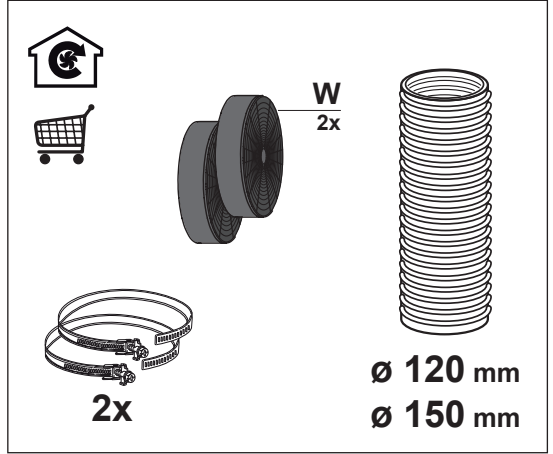
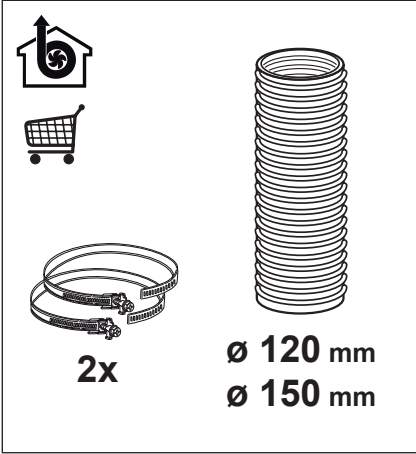


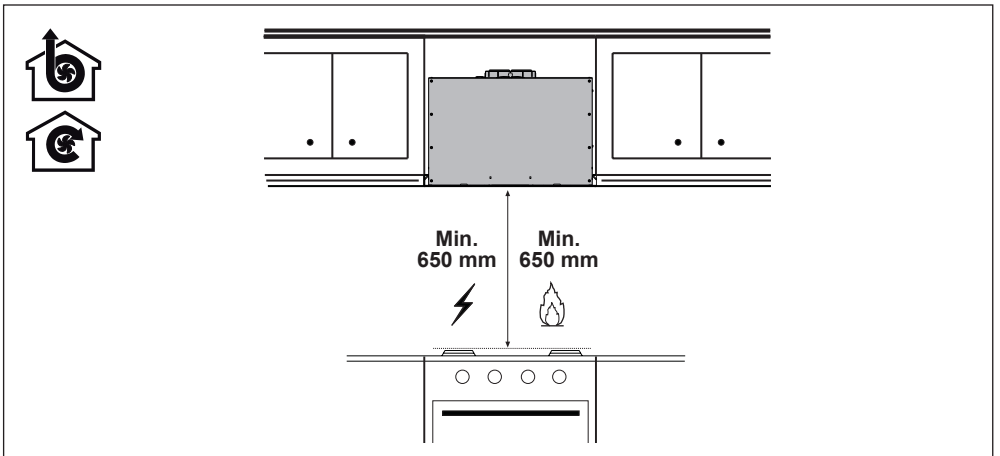
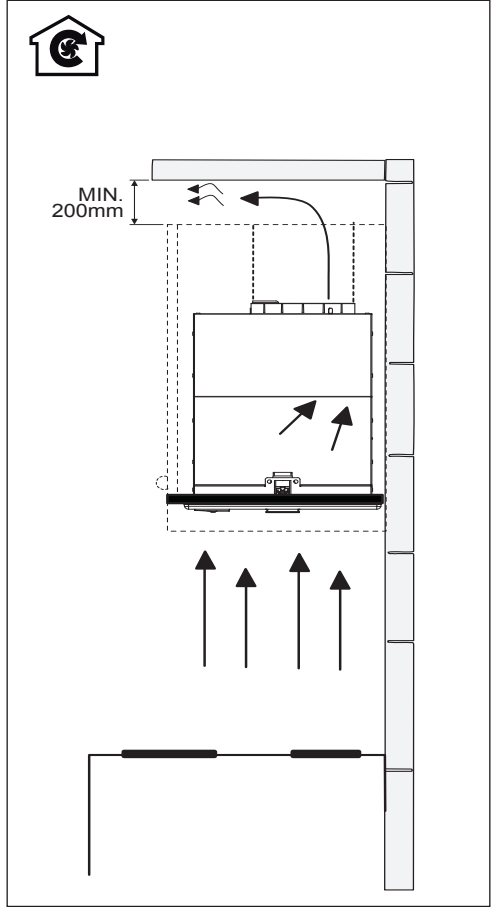
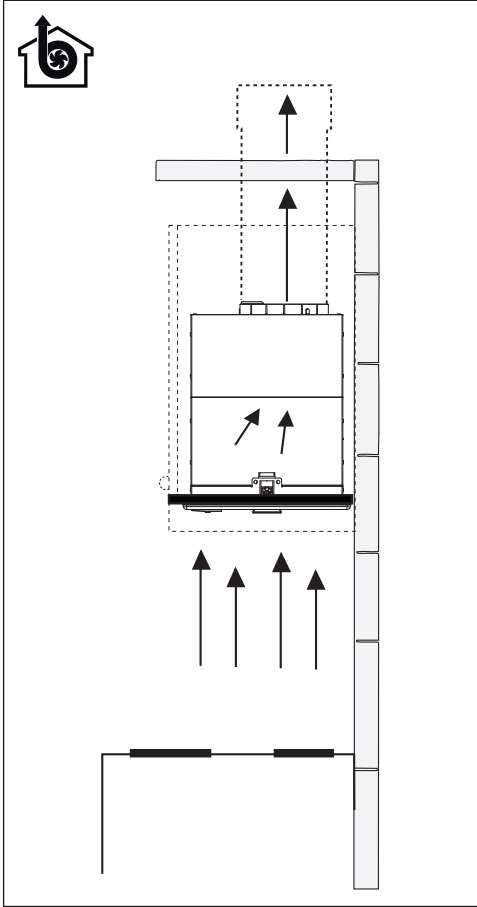
FBFE WH MATT A52 UK  
FBFE WH MATT A70 UK  
FBFE BK MATT A52 UK  
FBFE BK MATT A70 UK

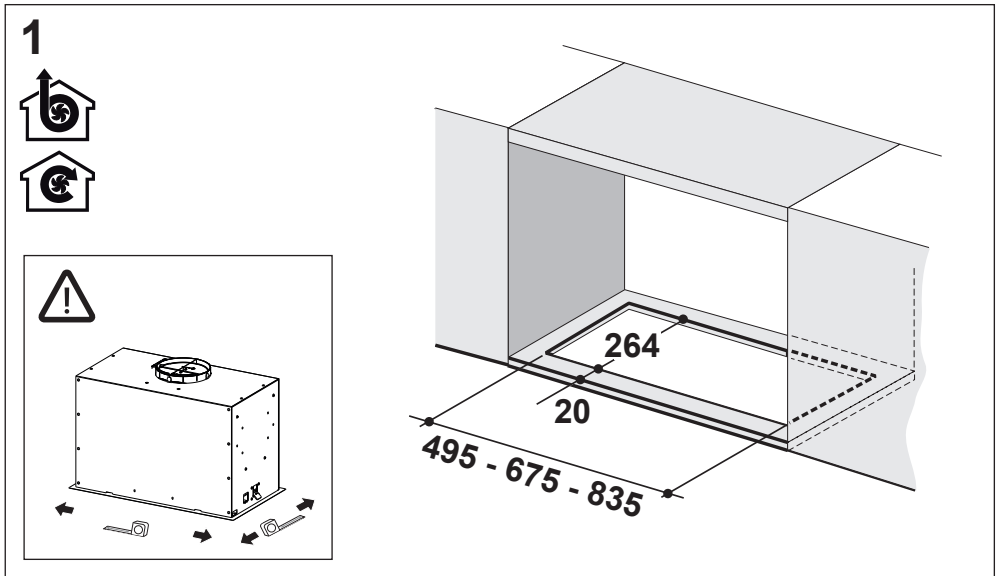
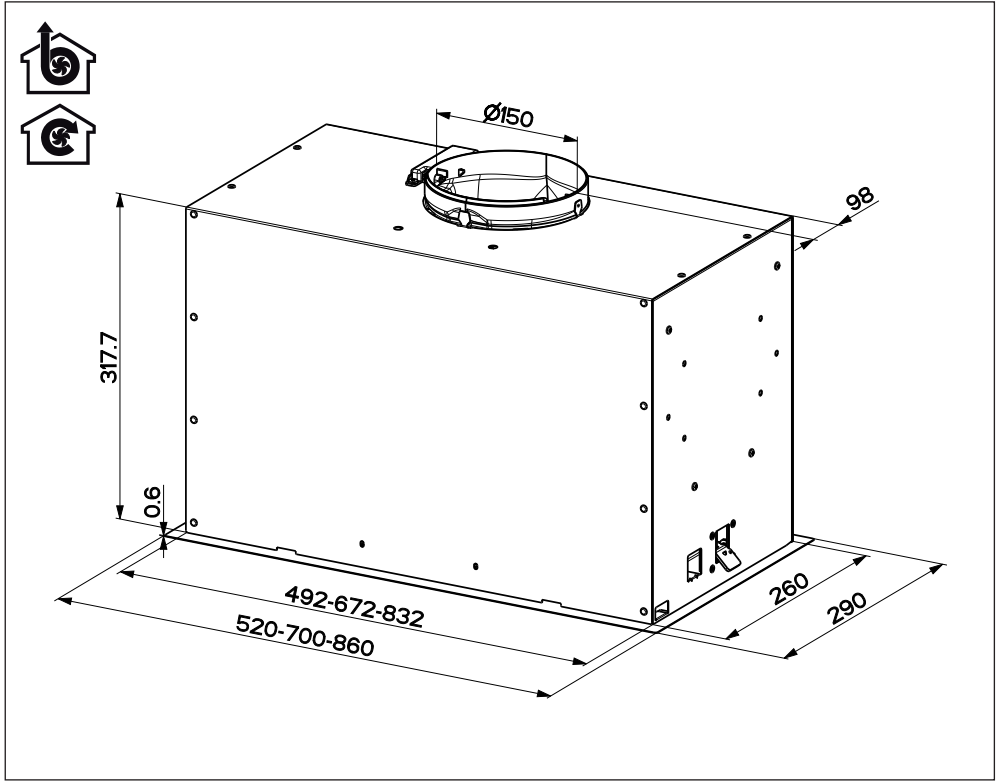


**EN** Warning! Before proceeding with installation, read the safety information in the User Manual.

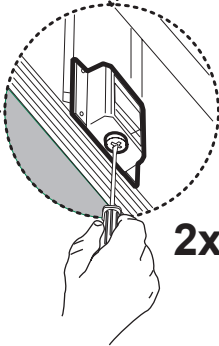
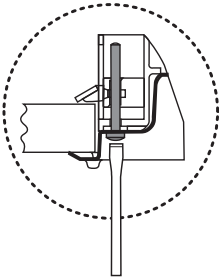
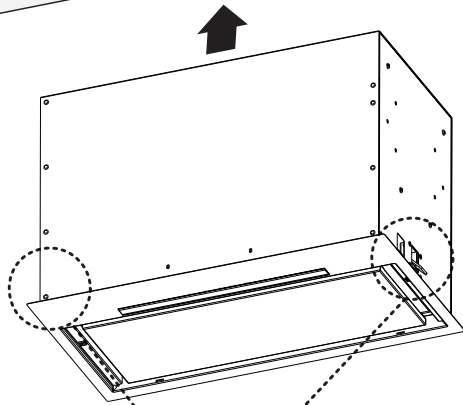
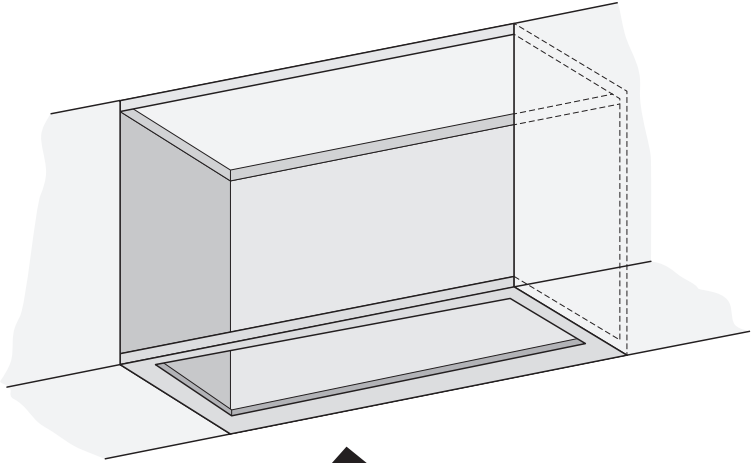




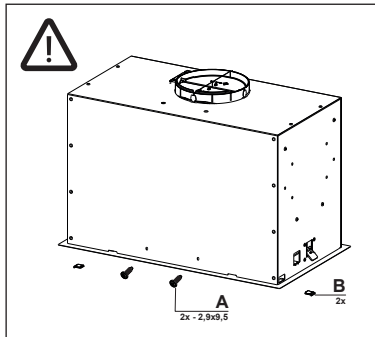
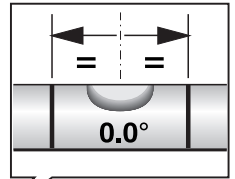
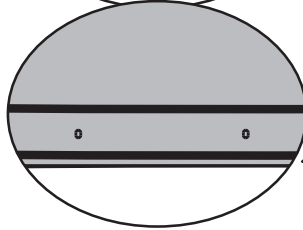
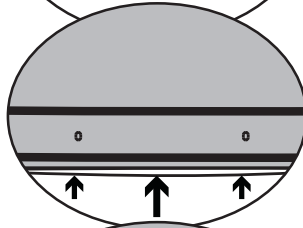
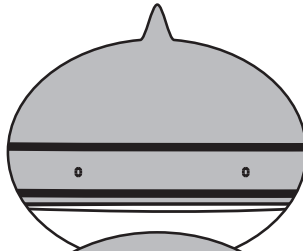
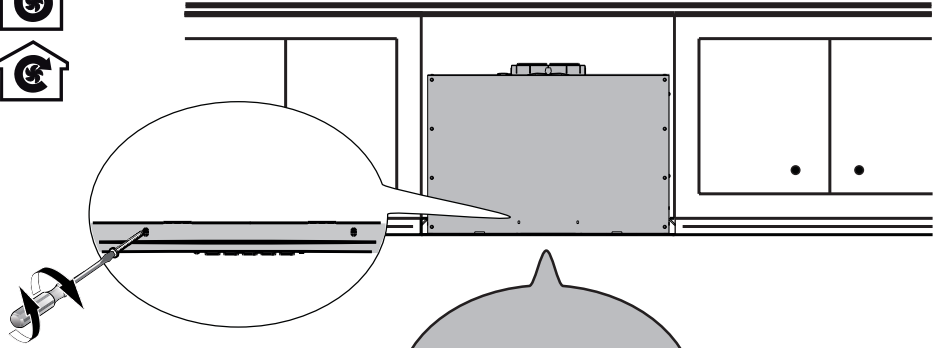




2

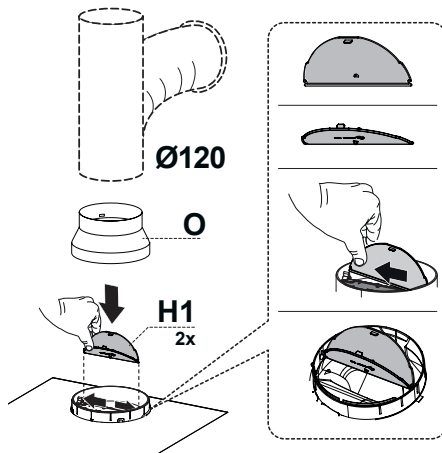
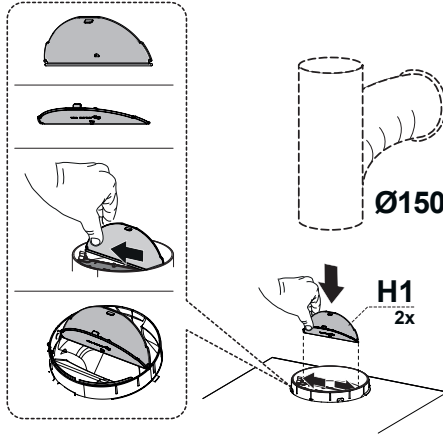
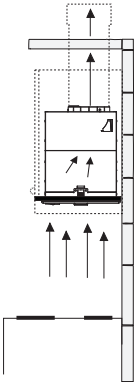


3

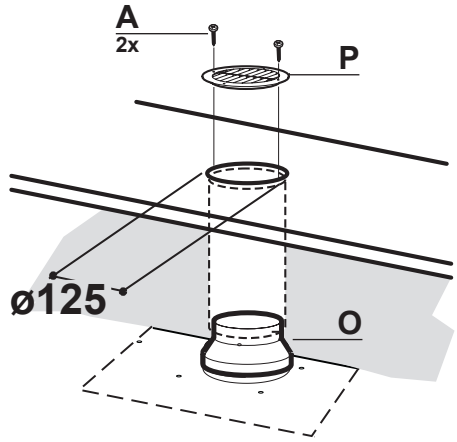
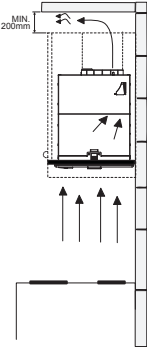




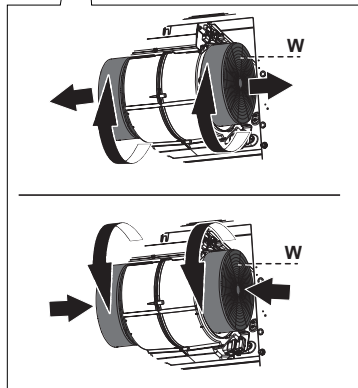
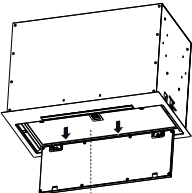
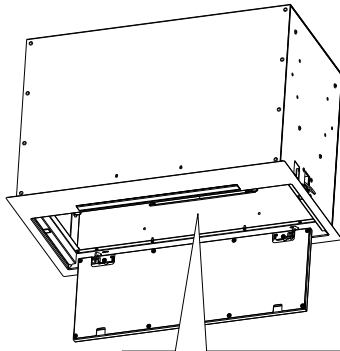
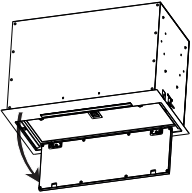
4



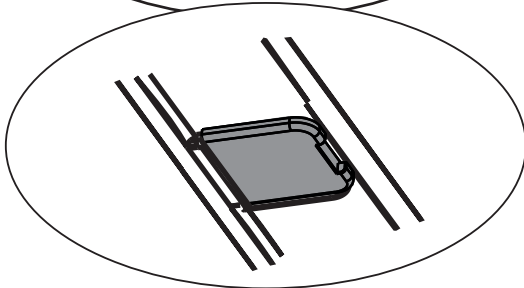
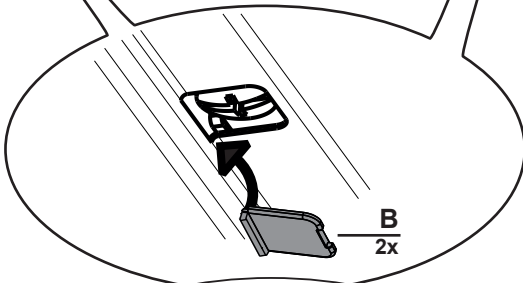
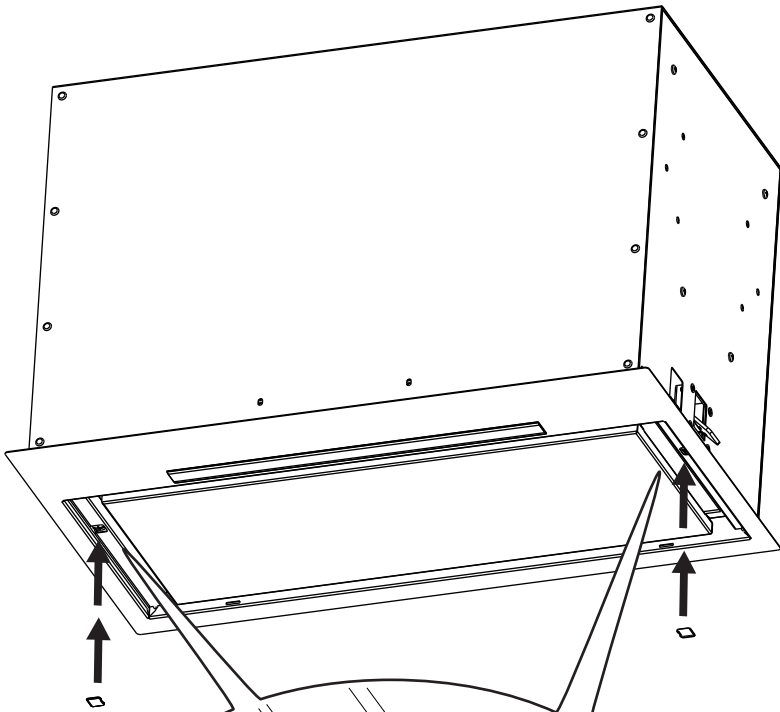
# 5

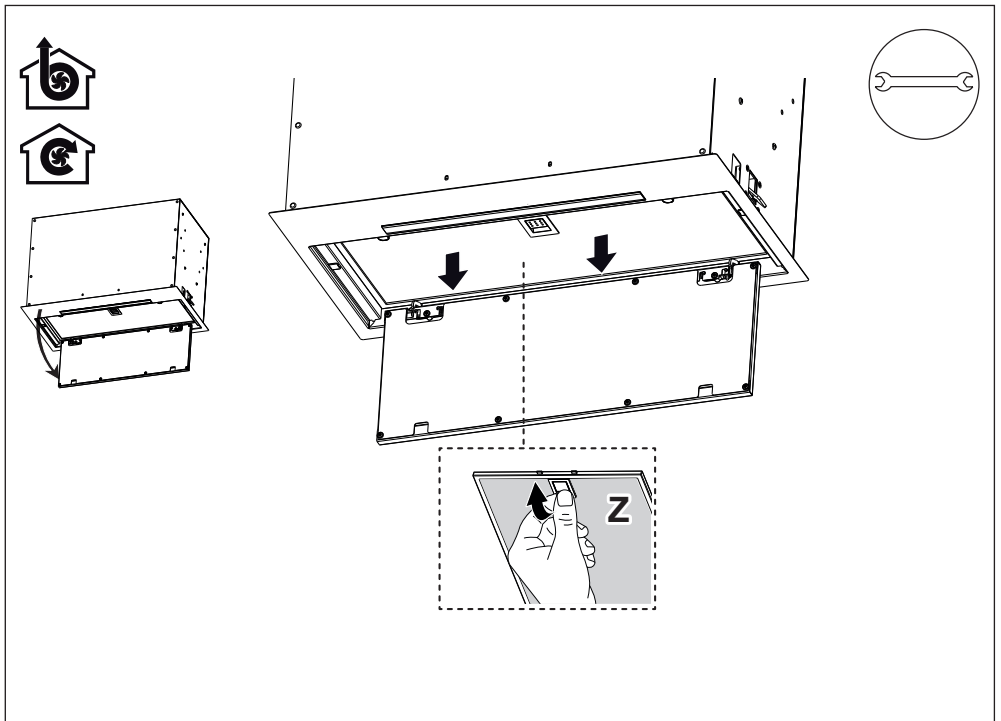
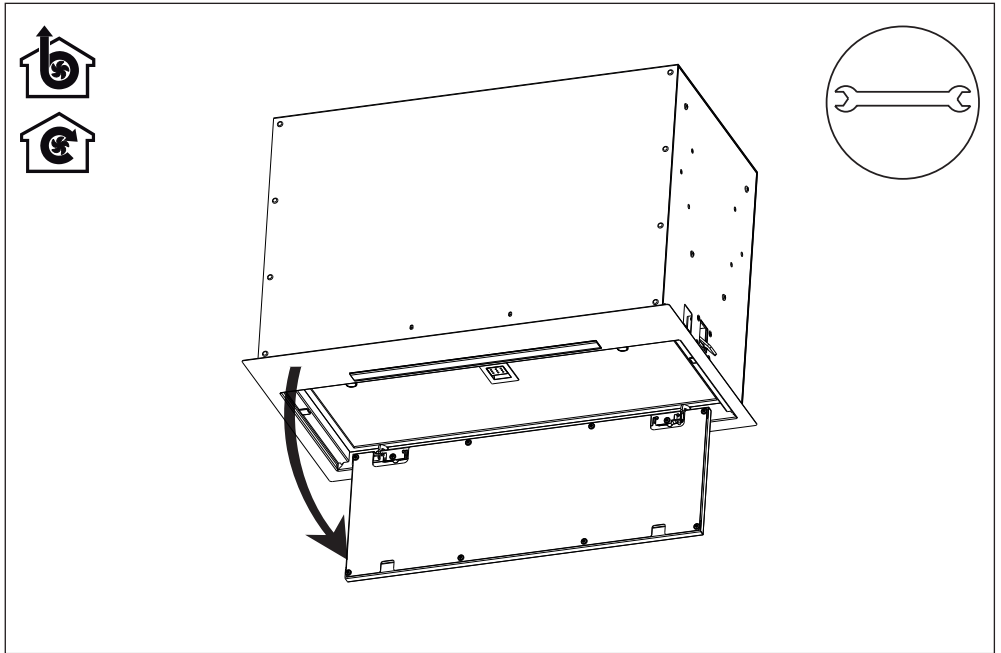


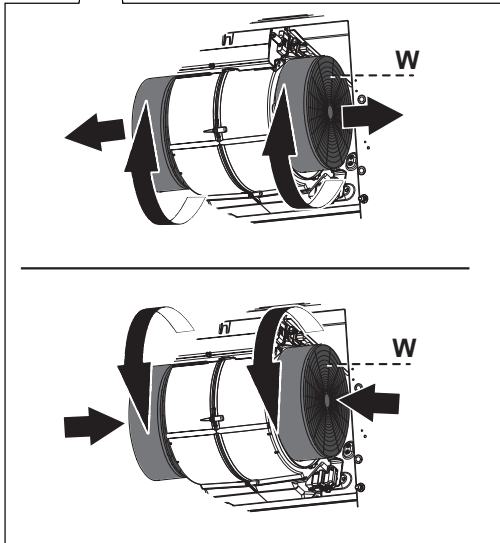
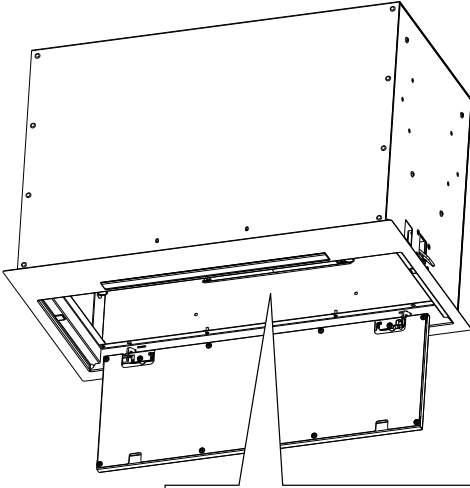
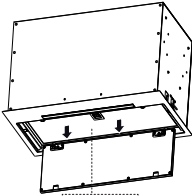
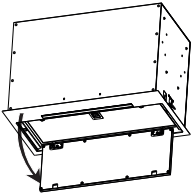
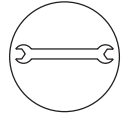
# 6



7













Franke S.p.a.  
Via Pignolini, 2  
37019 Peschiera del Garda (VR)  
[www.franke.it](http://www.franke.it)