



## FCB 320 TNF BR

EN **User and Installation manual**  
PB **Manual do utilizador e instalação**

**Refrigerator**  
**Refrigerador**

*Make  
it  
Wonderful*

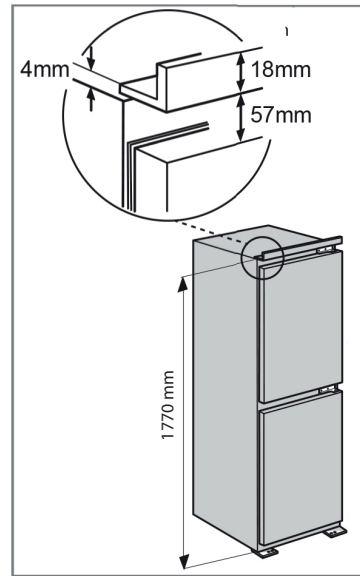
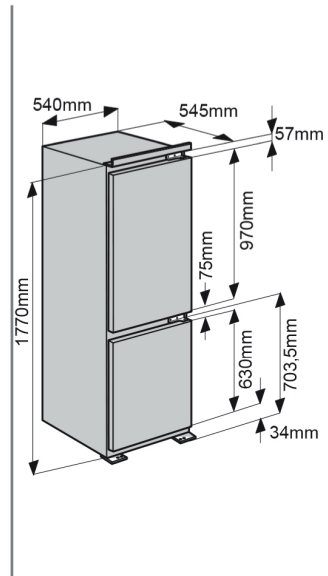
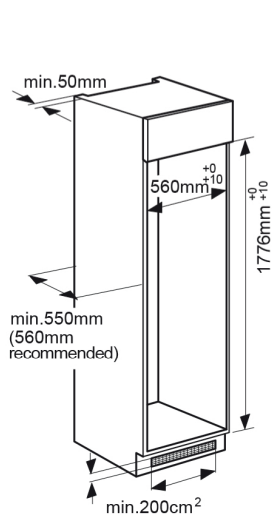
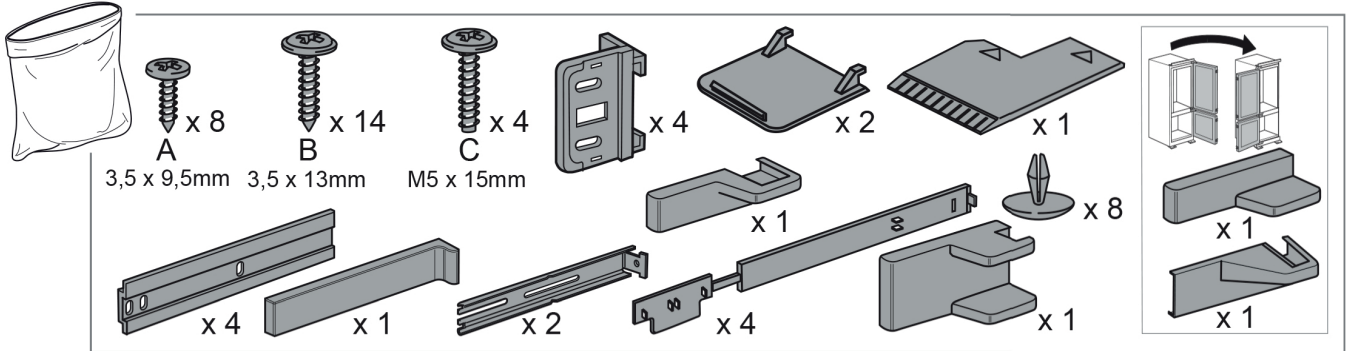
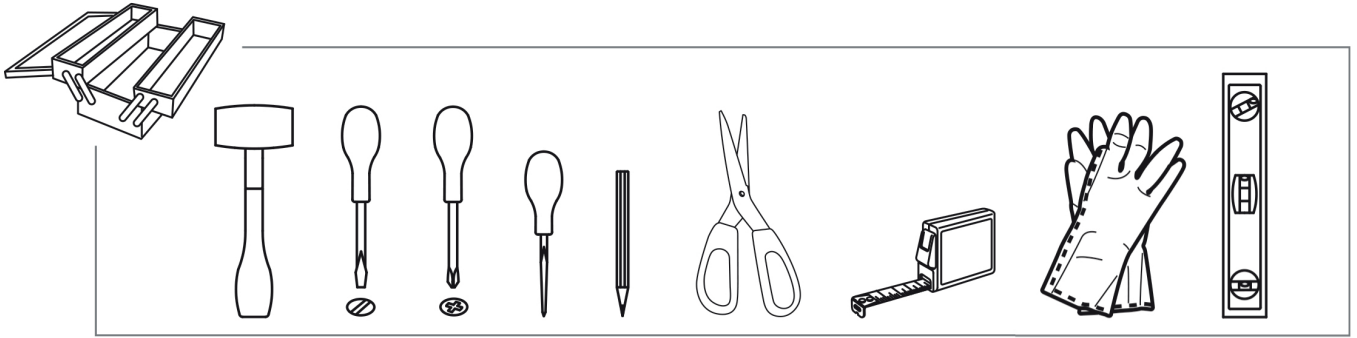
**FRANKE**

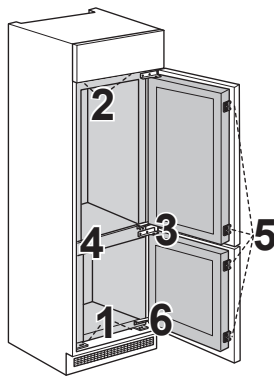
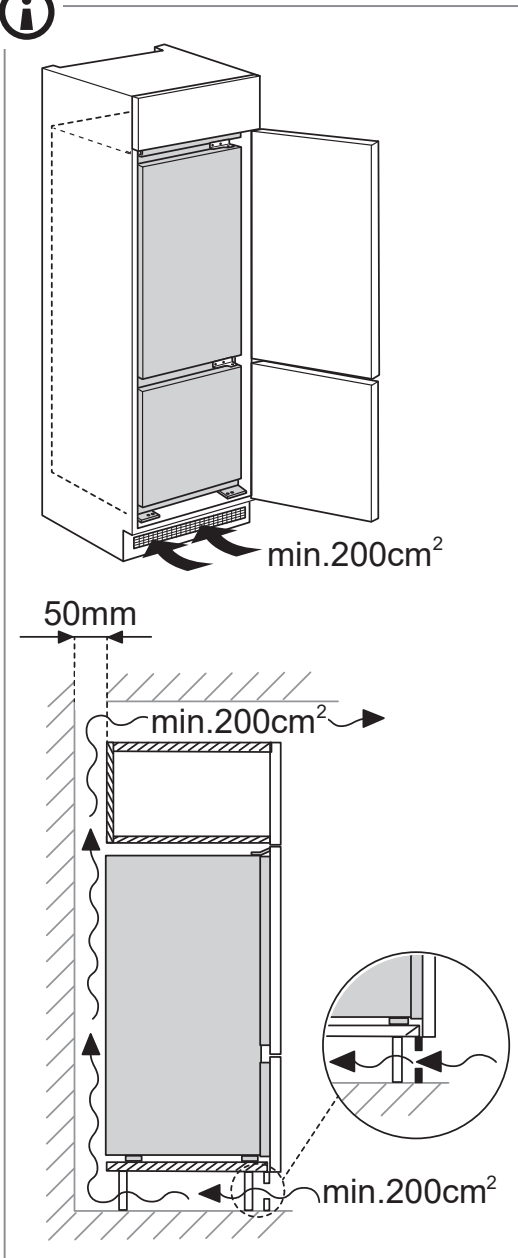
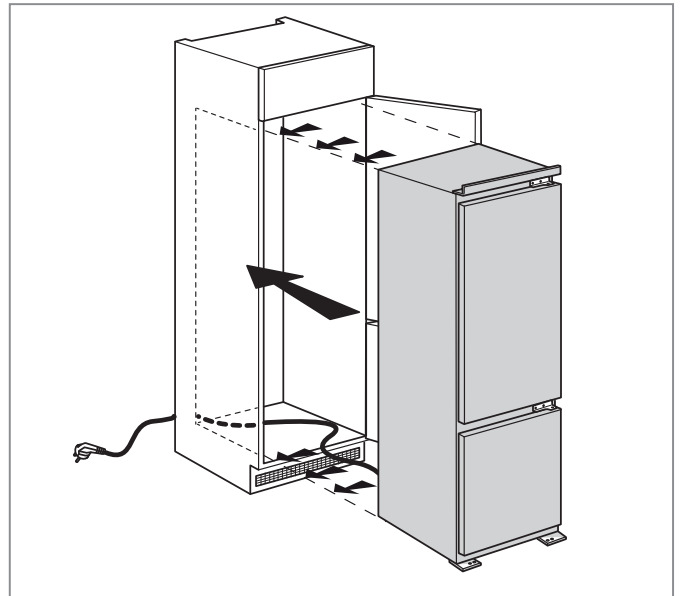
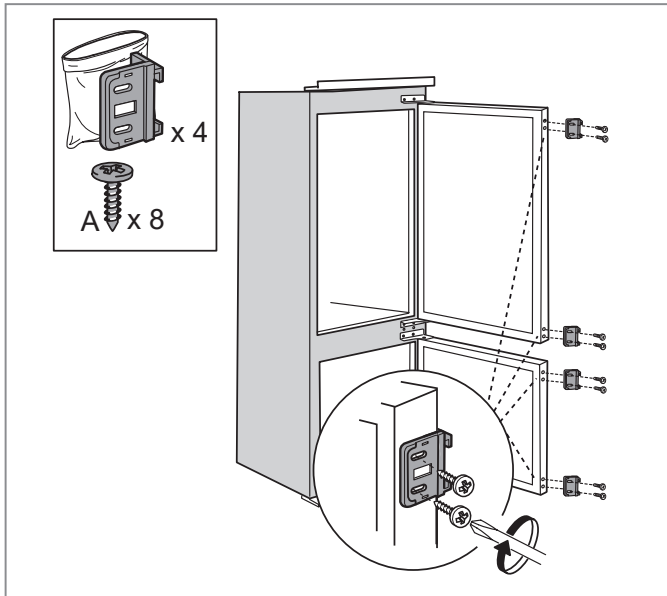
# LANGUAGES

---

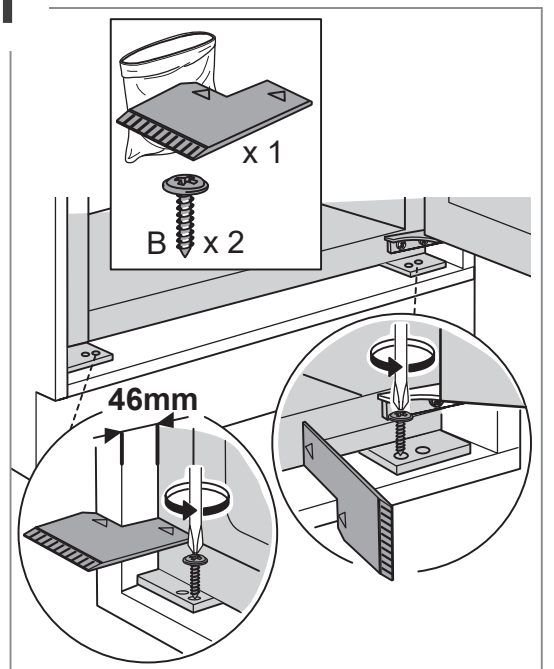
## *IDIOMAS*

EN	USER AND INSTALLATION MANUAL.....	7
PB	MANUAL DO UTILIZADOR E INSTALAÇÃO.....	15

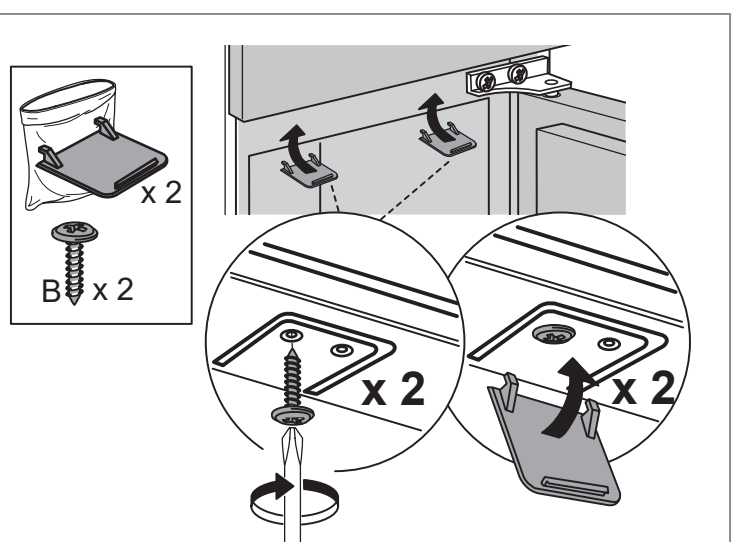


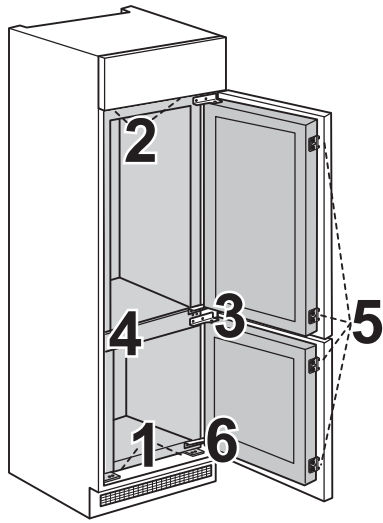


1

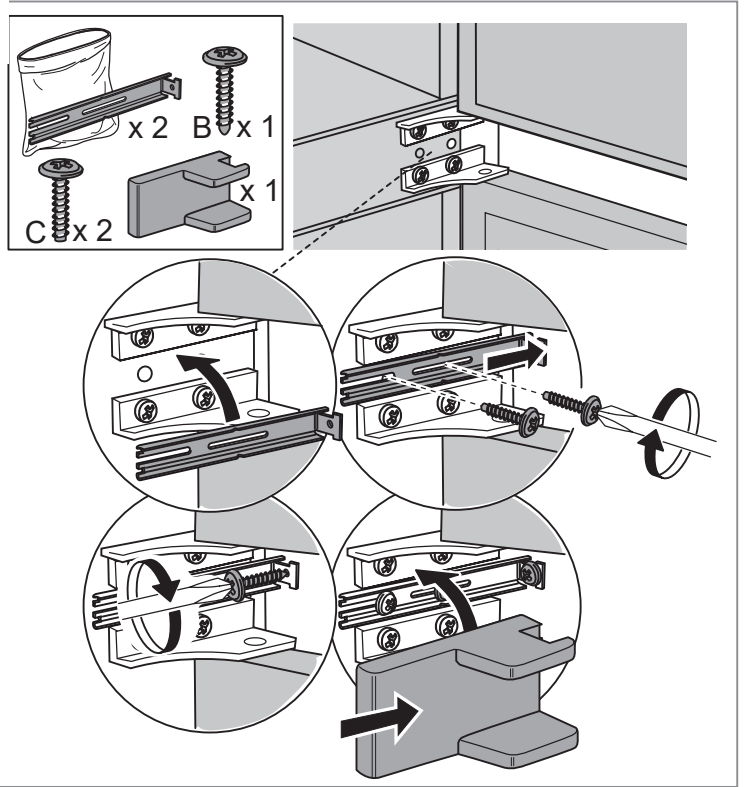


2

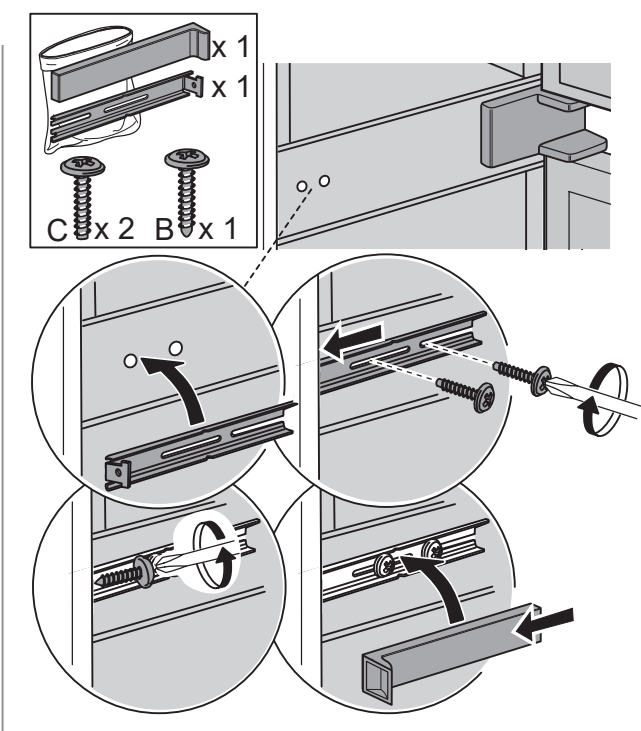




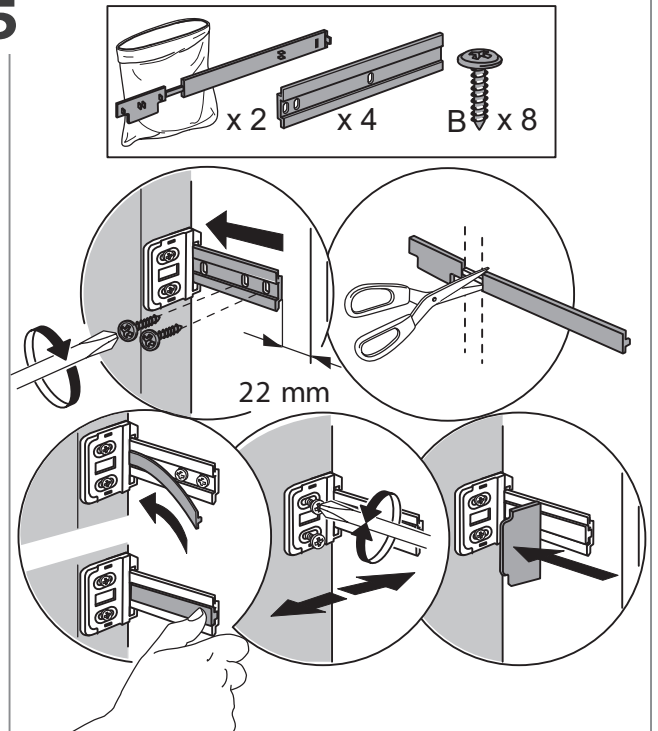
3



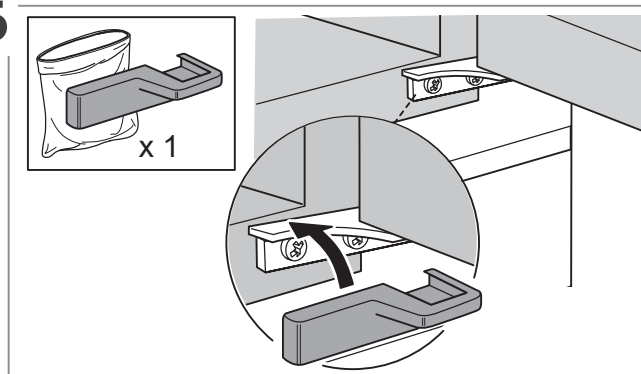
4

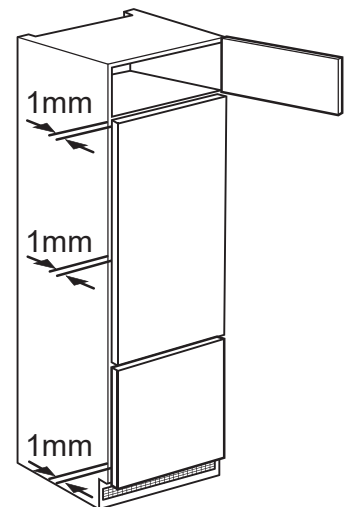
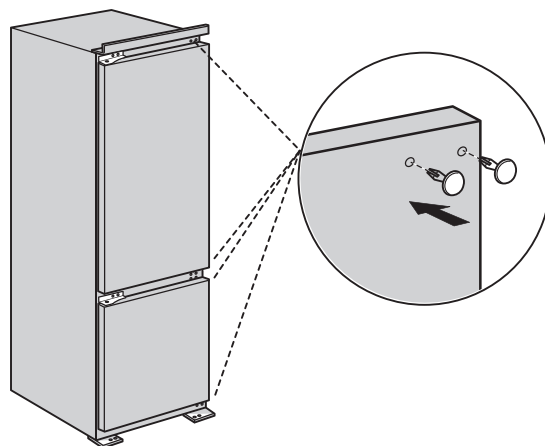
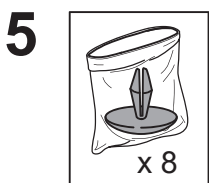
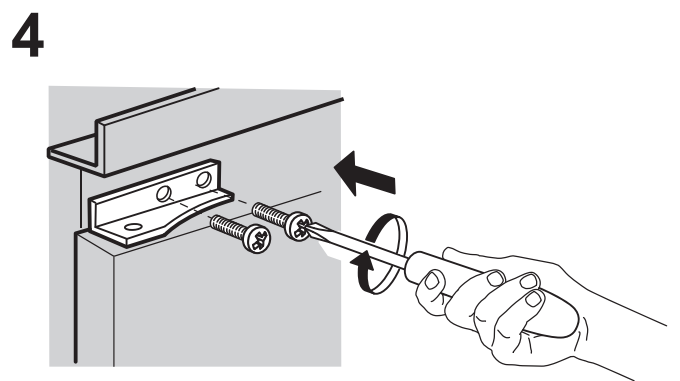
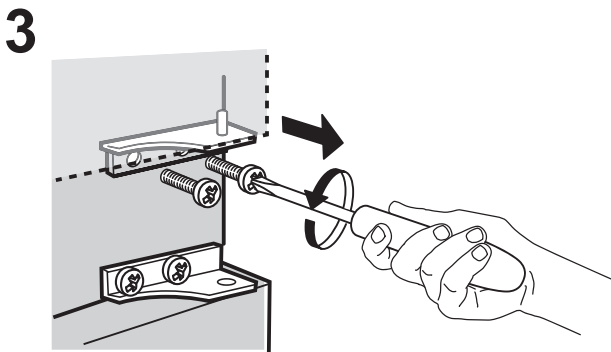
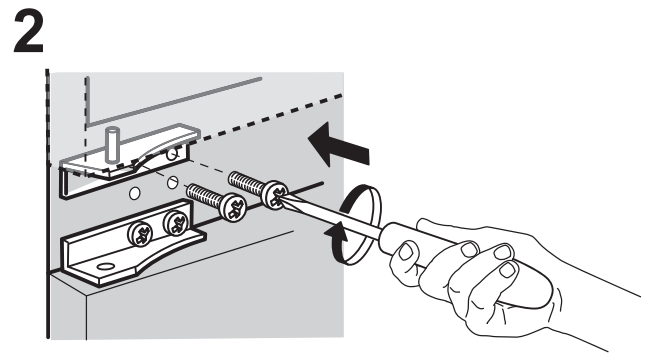
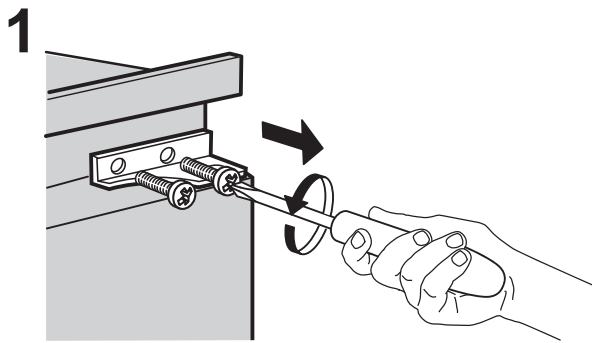
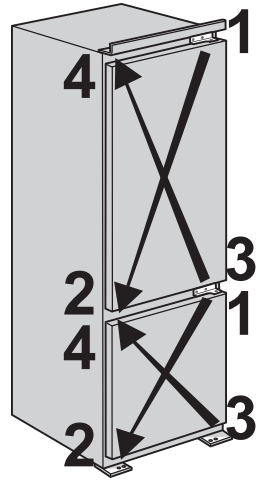
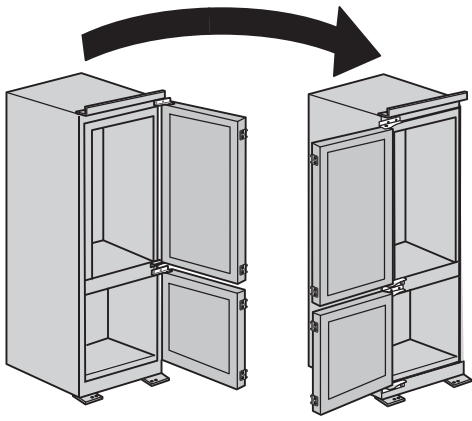


5



6





---

# TABLE OF CONTENTS

---

OVERVIEW .....	8
General Information .....	8
Control panel.....	8
OPERATION.....	9
First time use .....	9
Refrigerator compartment and food storage .....	9
How to store fresh food and beverages.....	9
Freezer compartment food storage .....	10
Storage times for home frozen foods .....	10
Freezer compartment .....	10
Functional sounds.....	11
Recommendation in case of no use of the appliance.....	11
CLEANING AND MAINTENANCE.....	12
Refrigerator light.....	12
Shelves .....	12
Door.....	12
TROUBLESHOOTING .....	13
SUPPORT .....	14

# USER GUIDE

## OVERVIEW

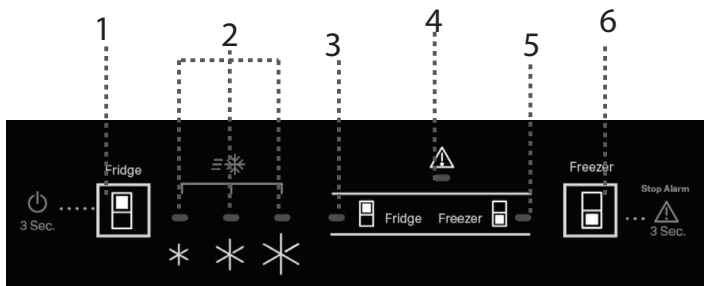
### GENERAL INFORMATION

The drawers, baskets and shelves should be kept in their current position unless otherwise specified in this quick guide. The light system inside the refrigerator compartment uses LEDs light, allowing a better lighting than traditional light bulbs as well as a very low energy consumption.

### DISPOSAL

Doors and lids of the refrigeration appliance should be removed before disposal in the landfill, to avoid children or animals getting trapped inside.

### CONTROL PANEL



1. Refrigerator Temperature / Stand By
2. Temperature Indicator setting
3. Refrigerator Indicator
4. Alarm Indicator
5. Freezer Indicator
6. Freezer Temperature / Stop Alarm

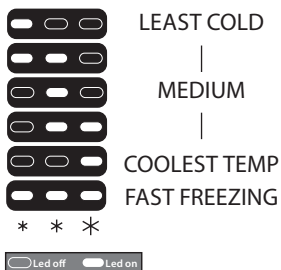
### SETTING THE TEMPERATURES

Press the Refrigerator Button to set a different temperature in the refrigerator compartment.

*Recommended setting for Refrigerator compartment is MED*

Press the Freezer Button to set a different temperature in the freezer compartment.

*Recommended setting for Freezer compartment is MED*



### ON/STAND-BY

Press the Refrigerator Temperature button for 3 seconds to turn the appliance on stand-by. When in Stand-by mode the light in the refrigerator compartment does not turn on. Press the button again briefly to reactivate the appliance.

### FAST FREEZE FUNCTION

In order to preserve at best, please use the Fast Freeze function before putting a large quantity of food in the freezer cavity.

Press the button (6) until all the three leds are on in order to set the function.

The function turns off automatically after 26 hours, or manually by selecting different freezer temperature.

*Note: Please avoid a direct contact between the fresh food and the food already frozen. To optimise the freezing speed, drawers can be removed and the food can be placed directly on the bottom of the compartment.*

To avoid an increase of food waste, refer to recommended setting and Storage Time in OPERATION chapter



# OPERATION

## FIRST TIME USE

Wait at least two hours, after the installation, before connecting the appliance to the power supply. Connect the appliance to the power supply it starts the operation automatically. The ideal storage temperatures for the food are preset in the factory.

After turning the appliance on, you must wait for 4-6 hours for the correct storage temperature to be reached for a normally filled appliance. If the audible signal sounds, it means that the temperature alarm has intervened: press the button to switch off the acoustic alarms.

## REFRIGERATOR COMPARTMENT AND FOOD STORAGE

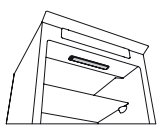
The refrigerator compartment allows for the storage of fresh food and drink. The refrigerator compartment defrosts completely automatically. The occasional presence of drops of water on the internal back wall of the compartment is a sign of the automatic defrosting phase. The defrosting water is channelled into a drain and then collected in a container, where it evaporates.

Note: the ambient temperature, how often the doors are opened and the position of the appliance may affect the internal temperatures in the two compartments. Set the temperatures depending on these factors. In very humid conditions, condensation may form in the refrigerator compartment, especially on the glass shelves. In this case, it is recommended that you close containers with liquids in (e.g. a pot of stock), wrap up food with a high water content (e.g. vegetables) and turn on the fan, if there is one. All of the drawers, door shelves and shelves can be removed.

## MULTIFLOW AIR DISTRIBUTION

The multiflow helps to distribute evenly the cold air in the cavity for a better food preservation. Foods can be placed on any shelf of the appliance. Please pay attention to not obstruct the air distribution vents thus ensuring its free movement.

## LIGHT SYSTEM

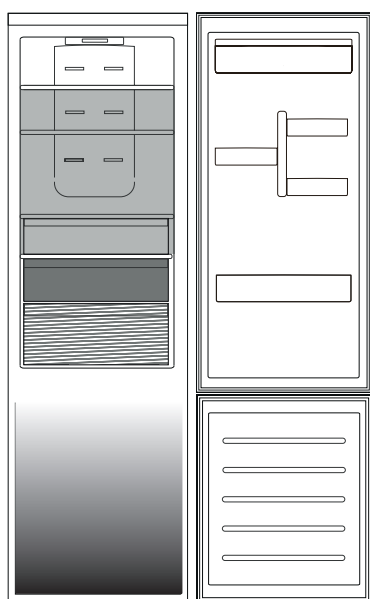


*This product contains a top light source of energy efficiency class G*


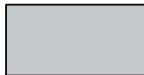


## HOW TO STORE FRESH FOOD AND BEVERAGES

Foods which give off a large amount ethylene gas (apples, apricots, pears, peaches, avocado, figs, prunes, blueberries, mellons, beans) and those that are sensitive to this gas, such as fruit vegetables and salad, should always be separated or wrapped so as not to reduce the storage life; for example do not store tomatoes together with kiwi fruits or cabbage. Do not store food too close together to enable sufficient air circulation. Use recyclable plastic, metal, aluminum and glass containers and cling film to wrap foods.

If you have a little quantity of food to store in the refrigerator, we recommend to use the shelves above the crisper for fruits and vegetables since this is the coolest area of the compartment. Always use closed containers for liquids and for food that may give off or be tainted by odor or flavor transfer or cover them. To avoid bottles falling over, you can use the bottle holder (available on selected models).



### Legend


	<b>TEMPERATURE ZONE</b> Suggested for the storage of tropical fruit, cans, drinks, eggs, sauces, pickles, butter, jam
	<b>COOL ZONE</b> Suggested for the storage of cheese, milk, daily food, delicatessen, yogurt
	<b>COOLEST AREA</b> Suggested for storage of cold cuts, desserts, meat and fish
	<b>FRUIT &amp; VEGETABLE DRAWER</b>

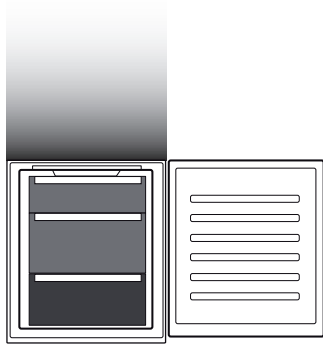
The load limits are determined by the particular construction (baskets, containers, flaps, drawers, shelves, etc.), or the load limits are determined by natural load limits.

---

## FREEZER COMPARTMENT FOOD STORAGE

---

The freezer compartment  allows long time storage of frozen food and freezing of fresh food. The quantity of fresh food that can be frozen in 24 hours is written on the rating plate. Arrange the fresh food in the freezing area inside the freezer compartment, leaving enough space around the food packages to allow air to circulate freely. It is advisable that you do not re-freeze food that has partially defrosted. It is important to wrap the food in a way that prevents the ingress of water, humidity or condensation.



### Legend



**FREEZER DRAWERS**



**FREEZING ZONE DRAWER**  
(Max cool zone)

Suggested to freeze fresh/cooked food

### REMOVING THE DRAWERS

Pull the drawers outwards as far as they will go, lift them up and remove them. To get more volume, the freezer compartment can be used without the drawers. Make sure that the door is closed properly after putting the food back on the grilles/shelves.

---

## STORAGE TIMES FOR HOME FROZEN FOODS

---

# Store Zone

Months	2-6	4-8	6-12
			
Food			
			

---

## FREEZER COMPARTMENT

---

### Ice cubes

Fill 2/3 of the ice tray with water and put it back in the freezer compartment. Do not use sharp or pointed objects to remove the ice under any circumstances.

The quantity of fresh food that can be frozen in a specific time period is indicated on the rating plate.

Load limits are determined by baskets, flaps, drawers, shelves etc. Make sure that these components can still close easily after loading.

---

### Easy Take Freezer Tray

Easy access zone in the freezer: easy to find and grab your favorite items.

---

### Total No Frost system

The Total No Frost system effectively prevents ice formation, avoiding the hassle of manual defrosting both in freezer and fridge cavity.

Its ventilation system provides perfect circulation of cold air in both cavities thus avoiding ice builds up.

---

## FUNCTIONAL SOUNDS

1. A buzz generated by the compressor is normal while the product is working.



2. Gurgling and crackles are generated by the passage of the refrigerant gas inside the cooling circuit, therefore these are normal noises.



3. It's possible to "hear" creaks when the compressor is active and inactive: it is a normal sound of the product's structure.



4. Check that the balconies on the inside of the refrigerator door, the shelves and the drawers in the refrigerator compartment are attached and positioned properly, to avoid possible vibrations.
5. Don't place glass containers (bottles, jars, etc.) in direct contact with each other, to avoid vibrations.
6. This device is equipped with a compressor that operates at an optimum speed to minimize energy consumption. So it may happen that in certain situations (in summer or if large quantities of food are introduced) that the compressor increases the speed and therefore it is more noisy than usual.

## RECOMMENDATION IN CASE OF NO USE OF THE APPLIANCE

### In the event of non-use of the appliance

Disconnect the appliance from the power supply, empty it, defrost it (if necessary) and clean it. Keep the doors slightly ajar to let air circulate inside the compartments. By doing this, you avoid the development of mould and bad odours.

### In the event of an interruption to the power supply

Keep the doors closed so the food stays cold for as long as possible. Do not re-freeze food that has partially defrosted. If there is a prolonged power cut, the black out alarm may also activate (in products with electronics).

---

# CLEANING AND MAINTENANCE

---

**Before any cleaning or maintenance operation, unplug the appliance from the mains or disconnect the electrical power supply.**  
**Never use abrasives. Never clean refrigerator parts with flammable fluids.**  
**Do not use steam cleaners.**  
**The buttons and control panel display must not be cleaned with alcohol or alcohol-derived substances, but with a dry cloth.**

Clean the appliance occasionally with a cloth and a solution of warm water and neutral cleaning agents specifically for cleaning the inside of the refrigerator.

---

## REFRIGERATOR LIGHT

The light system inside the refrigerator compartment uses LEDs light, allowing a better lighting than traditional light bulbs as well as a very low energy consumption. Contact the Technical Assistance Service if you need a replacement.

**Important:** The refrigerator compartment light switches on when the refrigerator door is opened.

---

## SHELVES

All of the drawers, door shelves and shelves can be removed.

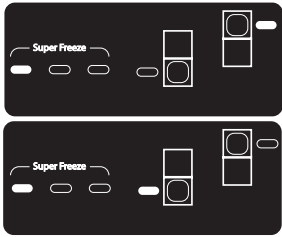
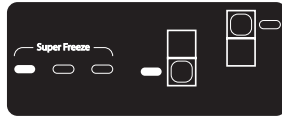
---

## DOOR

### DOOR REVERSIBILITY

Note: The direction of door opening can be changed. If this operation is not performed by After-sales Service it is not covered by the warranty. Follow instruction in **Installation** chapter.

# TROUBLESHOOTING

What to do if...	Possible reasons	Solutions
The control panel is switched off, the appliance does not work.	The appliance could be in On/Standby mode. There may be an appliance power supply problem.	Activate the appliance with the button 1. Make sure: <ul style="list-style-type: none"> <li>• there is not a power outage</li> <li>• the plug is properly inserted in the power socket and the mains double-pole switch (if present) is in the correct position (i.e. allows the appliance to be powered)</li> <li>• the household electrical system protection devices are efficient</li> <li>• the power cable is not broken.</li> </ul>
The inside light does not work.	The light may need replacing.	Contact the Authorized service center.
	The appliance could be in On/Standby mode.	Activate the appliance with the button 1.
The temperature inside the compartments is not low enough.	There could be various causes (see "Cures").	Make sure: <ul style="list-style-type: none"> <li>• the doors close properly</li> <li>• the appliance is not installed near a heat source</li> <li>• the set temperature is adequate</li> <li>• the circulation of air through the vents at the bottom of the appliance is not obstructed.</li> </ul>
The front edge of the appliance, at the door striker seal, is hot.	This is not a defect. It prevents condensation from forming.	No cure is necessary.
Acoustic signal sounds.	<b>Door open alarm</b> It is activated when a door remains open for a long period of time.	Close the doors of the product to deactivate the acoustic signal.
	<b>Black Out alarm</b> It is activated in case of a prolonged power outage causing an increase in the freezer compartment temperature.  Note: A different product temperature cannot be set until the Black Out alarm is deactivated.	Before deactivating the acoustic signal, it is advisable to pay attention to the Freezer temperature leds, corresponding to the highest temperature reached in the freezer compartment during the black out. Press the "Stop Alarm" button briefly to deactivate the acoustic signal. After pressing the button, the temperature led shows the set temperatures again. If the freezer compartment has not yet reached the optimum food preservation temperature, the freezer compartment temperature alarm could be activated (see freezer compartment temperature alarm). Check the food before consuming it.
	<b>Freezer compartment temperature alarm</b> The freezer compartment temperature alarm indicates that the compartment temperature is not optimum. This may happen: with first use, after defrosting and/or cleaning, if large amounts of food are placed inside the freezer or when the freezer door has not been closed properly.	Pressing button (1) or button (6) button the acoustic alarm is snoozed

**WWW.FRANKE.COM**

© Franke Technology and Trademark Ltd, Switzerland

## SUPPORT

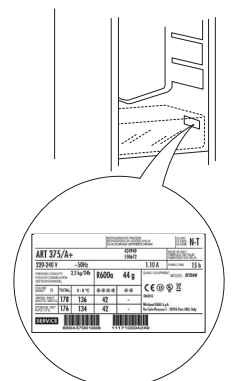
In the event of any operation problems, contact a Franke Technical Service Centre.

Never use the services of unauthorized technicians.

**Specify:**

- the type of fault
- the appliance model (art./Code)
- the serial number (S.N.).

When contacting our Service Centre, please state the codes provided on your product's identification plate.



# ÍNDICE

VISTA GERAL .....	8
Informação geral .....	8
Painel de controle .....	8
FUNCIONAMENTO .....	9
Utilizar pela primeira vez .....	9
Compartimento do refrigerador e armazenamento de alimentos.....	9
Como armazenar alimentos frescos e bebidas .....	9
Compartimento do congelador de armazenamento de alimentos .....	10
Tempo de armazenamento recomendado para alimentos congelados .....	10
Compartimento do congelador.....	11
Recomendação em caso de não utilização do aparelho.....	11
LIMPEZA E MANUTENÇÃO.....	12
Luz do refrigerador .....	12
Prateleiras.....	12
Porta .....	12
RESOLUÇÃO DE PROBLEMAS.....	13
SUPORTE .....	14

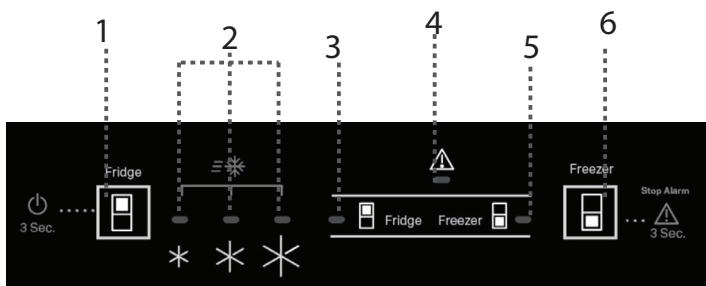
# GUIA DO UTILIZADOR

## VISTA GERAL

### INFORMAÇÃO GERAL

As gavetas, cestos e prateleiras devem permanecer na posição atual, exceto se especificado de outra forma neste guia rápido. O sistema de iluminação no interior do compartimento do refrigerador dispõe de uma lâmpada LED, o que permite uma melhor iluminação comparativamente com as lâmpadas tradicionais, bem como um consumo de energia muito reduzido.

### PAINEL DE CONTROLE



1. Temperatura do refrigerador / Stand By
2. Definição do indicador de temperatura
3. Indicador do refrigerador
4. Indicador do alarme
5. Indicador do congelador
6. Temperatura congelador/ Parar alarme

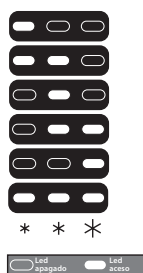
### DEFINIR AS TEMPERATURAS

Pressione o botão do refrigerador para definir uma temperatura diferente para o compartimento do refrigerador.

*A definição recomendada para o compartimento do refrigerador é "MED" (média)*

Pressione o botão do congelador para definir uma temperatura diferente para o compartimento do congelador.

*A definição recomendada para o compartimento do congelador é "MED" (média)*



MENOS FRIA  
|  
MÉDIA  
|  
TEMP. MAIS FRIA  
FAST FREEZING  
(CONGELAMENTO RÁPIDA)

### LIGADO/EM REPOUSO

Pressione o botão da temperatura do refrigerador durante 3 segundos para ligar o aparelho no modo de repouso (stand-by). Quando o aparelho está em modo de repouso (Stand-By), a luz no interior do compartimento do refrigerador não funciona. Pressione de novo o botão para retornar a ligar o aparelho.

### FUNÇÃO FAST FREEZE (CONGELAMENTO RÁPIDA)

Para conservar os alimentos de forma ideal, utilize a função de Congelamento Rápido antes de colocar uma grande quantidade de alimentos no compartimento do congelador. Pressione o botão (6) até que os três LED se acendam, indicando que é possível selecionar a função. A função desliga-se automaticamente após 26 horas, ou manualmente selecionando uma outra temperatura do congelador.

*Nota: Evite o contato direto entre os alimentos frescos e os alimentos já congelados. Para otimizar a velocidade de congelamento, as gavetas podem ser retiradas e os alimentos colocados diretamente no fundo do compartimento.*

Para evitar um aumento no desperdício de alimentos, consulte a configuração recomendada e o Tempo de Armazenamento no capítulo FUNCIONAMENTO



# FUNCIONAMENTO

## UTILIZAR PELA PRIMEIRA VEZ

Aguarde, pelo menos, duas horas após a instalação para ligar o aparelho à fonte de alimentação. Ligue o aparelho à eletricidade e este começará a trabalhar automaticamente. As temperaturas ideais para armazenar os alimentos vêm predefinidas de fábrica.

Após ligar o aparelho, deve esperar entre 4 e 6 horas para que seja atingida a temperatura correta de armazenamento relativa a um aparelho com a carga normal. Quando o alarme soa, significa que o alarme da temperatura foi ativado: pressione o botão para desligar os alarmes sonoros.

## COMPARTIMENTO DO REFRIGERADOR E ARMAZENAMENTO DE ALIMENTOS

O compartimento do refrigerador permite guardar alimentos frescos e bebidas. O compartimento refrigerador descongela completamente de forma automática. A presença ocasional de gotas de água na parte traseira interna do compartimento, indica a fase de descongelamento automático. A água de descongelamento é automaticamente canalizada para um dreno e recolhida num recipiente, onde irá evaporar.

Nota: a temperatura ambiente, a frequência com que são abertas as portas e a posição do aparelho podem influenciar a temperatura interna de ambos os compartimentos. Programe as temperaturas de acordo com estes fatores. Em condições de muita humidade, pode ocorrer condensação no compartimento do refrigerador, especialmente nas prateleiras de vidro. Neste caso, recomenda-se que feche os recipientes que contêm líquidos (como por exemplo um recipiente com caldo), embrulhe os alimentos com elevado teor de água (como por exemplo legumes) e ligue a ventoinha, caso exista. Todas as gavetas, prateleiras da porta e outras prateleiras podem ser retiradas.

## DISTRIBUIÇÃO DE AR MULTIFLUXO

A função multifluxo ajuda a distribuir o ar frio uniformemente em todo o compartimento, de forma a conservar melhor os alimentos. Os alimentos podem ser colocados em qualquer uma das prateleiras do aparelho. Tenha cuidado para não obstruir as aberturas da distribuição de ar, garantindo assim o seu movimento livremente.

## SISTEMA DE ILUMINAÇÃO

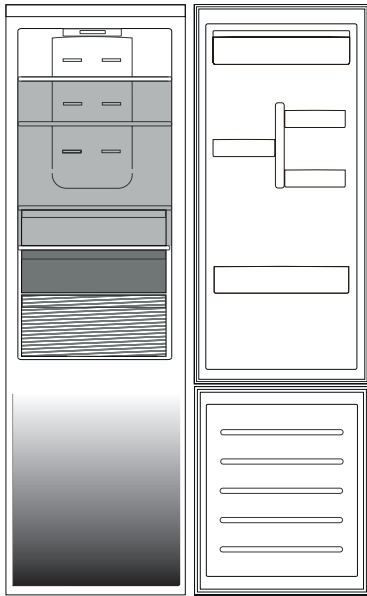


*Este produto contém uma fonte de luz superior da classe de eficiência energética G*





## COMO ARMAZENAR ALIMENTOS FRESCOS E BEBIDAS

Os alimentos que libertem uma grande quantidade de etileno (maças, damascos, peras, pêssegos, abacates, figos, ameixas, frutos vermelhos, melões, feijão) e que sejam sensíveis a este gás, tais como as frutas e os vegetais, devem ser armazenados em separado ou cobertos de forma a não reduzir o seu prazo de validade; por exemplo, não armazene tomates juntamente com kiwis ou couves. Não guarde alimentos muito perto um dos outros para permitir uma suficiente circulação de ar. Use recipientes de plástico reciclável, metal, alumínio e vidro e película aderente para embrulhar os alimentos.

Se tiver uma pequena quantidade de alimento para guardar no compartimento refrigerador, recomendamos que utilize as prateleiras acima da gaveta de vegetais pois esta é a área mais fresca do compartimento. Feche sempre bem ou cubra os recipientes de líquidos e alimentos que possam enretornar ou que possam ser contaminados por transferência de outros odores ou sabores. Para evitar que as garrafas caiam, pode usar o suporte para garrafas (disponível em modelos selecionados).




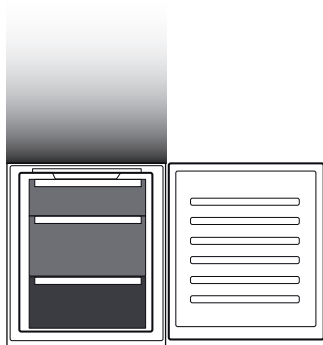
### Legenda

-  **ZONA TEMPERATURA**  
Recomendada para o armazenamento de frutas tropicais, latas, bebidas, ovos, molhos, pickles, manteiga e compotas
-  **ZONA FRESCA**  
Recomendada para o armazenamento de queijo, leite, laticínios, charcutaria, iogurtes
-  **ÁREA MAIS FRESCA**  
Recomendada para o armazenamento de charcutaria, sobremesas, peixe e carne
-  **GAVETA PARA FRUTAS E LEGUMES**



Os limites de carga tanto são determinados pela construção específica (cestos, recipientes, abas, gavetas, prateleiras, etc.), como pelos limites de carga naturais.

## COMPARTIMENTO DO CONGELADOR DE ARMAZENAMENTO DE ALIMENTOS

O compartimento do congelador  permite o armazenamento de comida congelada e congelamento de comida fresca durante um longo tempo. A quantidade de alimentos frescos que pode ser congelada em 24 horas, encontra-se indicada na placa de características. Organize os alimentos frescos na área de congelamento no interior do compartimento do congelador, deixando espaço suficiente à volta das embalagens de alimentos para que o ar circule livremente. Recomenda-se que não retorne a congelar os alimentos que já descongelaram parcialmente. É importante embrulhar os alimentos de forma a evitar que entre água, humidade ou condensação.



### Legenda

-  **GAVETAS DO CONGELADOR**
-  **GAVETA ZONA CONGELAMENTO**  
(Máx. zona fresca)  
Recomendada para congelar alimentos frescos/cozinhados

### REMOVER AS GAVETAS

Puxe as gavetas para fora até prenderem, levante-as e retire-as para fora. Para obter mais volume, o compartimento do congelador poderá ser utilizado sem gavetas. Certifique-se de que a porta está corretamente fechada após voltar a colocar a comida nas grelhas/prateleiras.

## TEMPO DE ARMAZENAMENTO RECOMENDADO PARA ALIMENTOS CONGELADOS

# Zona de Armazenamento

Meses	2-6	4-8	6-12
Alimento			
			
			

## COMPARTIMENTO DO CONGELADOR

### Cubos de gelo

Encha 2/3 das formas de gelo com água e coloque-as no compartimento do congelador. Não utilize em caso algum, objetos afiados ou pontiagudos para remover o gelo.

A quantidade de alimentos frescos que pode ser congelada num período de tempo específico, encontra-se indicada na placa de características.

Os limites de carga são determinados pelos cestos, abas, gavetas, prateleiras, etc. Certifique-se de que os componentes podem fechar-se com facilidade após o armazenamento.

### Formas de gelo de remoção fácil

Zona de fácil acesso no congelador: fácil de encontrar e remover os seus itens favoritos.

### Sistema Total No Frost

O sistema Total No Frost previne eficazmente a formação de gelo, evitando o incómodo do descongelamento manual tanto do compartimento do congelador, como do compartimento do refrigerador.

O seu sistema de ventilação fornece a circulação ideal de ar frio em ambos os compartimentos evitando, assim, a formação de gelo.

### Sons funcionais

1. O compressor gera um zumbido durante o funcionamento do aparelho; esta situação é normal.



2. A passagem do gás refrigerante no interior do circuito de refrigeração gera sons gorgolejantes e crepitações, pelo que estes sons são normais.



3. É possível que ouça crepitações quando o compressor é ativado e desativado: trata-se de um som normal proveniente da estrutura do produto.



4. Certifique-se de que as prateleiras existentes no interior da porta do refrigerador, bem como as gavetas do compartimento do mesmo se encontram fixas e posicionadas corretamente para evitar potenciais vibrações.
5. Não coloque recipientes de vidro (garrafas, jarros, etc.) em contato direto uns com os outros para evitar quaisquer vibrações.
6. Este aparelho encontra-se equipado com um compressor que opera a uma velocidade mínima de forma a otimizar o consumo de energia. Como tal, em determinadas situações (durante o verão ou se armazenar grandes quantidades de alimentos) o compressor pode aumentar a sua velocidade e produzir mais ruído do que o habitual.

## RECOMENDAÇÃO EM CASO DE NÃO UTILIZAÇÃO DO APARELHO

### Em caso de não utilização do aparelho

Desligue o aparelho da tomada, despeje-o, descongele-o (se necessário) e limpe-o.

Mantenha as portas ligeiramente abertas para que o ar circule no interior dos compartimentos. Ao fazer isto, evita a formação de bolor e maus odores.

### Em caso de interrupção no abastecimento de corrente

Mantenha as portas fechadas para que os alimentos se mantenham frios o máximo de tempo possível.

Não volte a congelar alimentos que já tenha sido parcialmente descongelados. Se a falha de corrente for prolongada, poderá ser também ativado o alarme de falha de energia (em aparelhos com componente eletrónica).

---

# LIMPEZA E MANUTENÇÃO

---

**Antes de efetuar qualquer operação de limpeza ou manutenção, retire o plugue da tomada ou desligue a corrente elétrica.**

**Nunca utilize abrasivos. Nunca limpe as peças do congelador com líquidos inflamáveis.**

**Não utilize aparelhos de limpeza a vapor.**

**Os botões e o visor do painel de controle não devem ser limpos com álcool ou substâncias derivadas do álcool, mas sim com um pano seco.**

Limpe o aparelho ocasionalmente com um pano e uma solução de água morna e agente de limpeza neutro, especificamente quando limpar o interior do refrigerador.

---

## LUZ DO REFRIGERADOR

O sistema de iluminação no interior do compartimento do refrigerador dispõe de uma lâmpada LED, o que permite uma melhor iluminação comparativamente com as lâmpadas tradicionais, bem como um consumo de energia muito reduzido. Se precisar de substituição, contacte o Serviço de Assistência Técnica.

**Importante:** A luz do compartimento refrigerador acende-se ao abrir a porta do refrigerador.

---

## PRATELEIRAS

Todas as gavetas, prateleiras da porta e outras prateleiras podem ser retiradas.

---

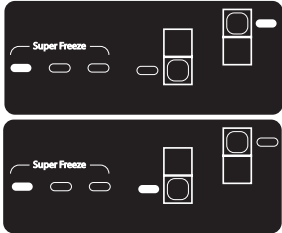
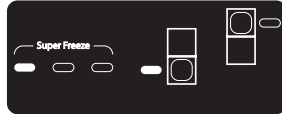
## PORTA

---

### REVERSIBILIDADE DAS PORTAS

Nota: A direção em que a porta é aberta pode ser alterada. Se esta operação não for realizada pelo Serviço Pós-Venda, não será coberta pela garantia. Siga as instruções contidas no capítulo de **Instalação**.

# RESOLUÇÃO DE PROBLEMAS

O que fazer em caso de...	Razões possíveis	Soluções
O painel de controle está desligado, o aparelho não funciona.	O aparelho pode estar em modo Ligar/ Em espera. Pode existir um problema na fonte de alimentação do aparelho.	Ative o aparelho com o botão 1. Certifique-se de que: <ul style="list-style-type: none"> <li>• não ocorreu uma falha de energia</li> <li>• o plugue está inserida corretamente na tomada e o interruptor da tomada (se existir) está na posição correta (ou seja permite que o aparelho receba energia)</li> <li>• os dispositivos de proteção do sistema elétrico doméstico são eficientes</li> <li>• o cabo de alimentação não está danificado.</li> </ul>
A luz interior não funciona.	Pode ser necessário substituir a lâmpada.	Contacte um Centro de Assistência autorizado.
	O aparelho pode estar em modo Ligar/ Em espera.	Ative o aparelho com o botão 1.
A temperatura no interior dos compartimentos não é suficientemente baixa.	Isto pode ocorrer por várias causas (consulte "Soluções").	Certifique-se de que: <ul style="list-style-type: none"> <li>• as portas fecham adequadamente</li> <li>• o aparelho não está instalado perto de uma fonte de calor</li> <li>• a temperatura programada é a adequada</li> <li>• a circulação do ar através dos respiradouros existentes na base do aparelho não se encontra obstruída.</li> </ul>
A parte frontal do aparelho, na parte do vedante da porta, está quente.	Isto não é um defeito. Isto evita a formação de condensação.	Não é necessário qualquer solução.
O sinal sonoro é emitido.	<b>Alarme de porta aberta</b> É ativado quando uma porta fica aberta durante muito tempo.	Feche as portas do aparelho para desativar o sinal sonoro.
	<b>Alarme de Corte de Energia</b> É ativado caso a falha de energia se prolongue, provocando um aumento de temperatura do compartimento de congelador.  Nota: Não poderá programar uma temperatura diferente, até que o alarme de falha de corrente seja desativado.	Antes de desativar o sinal sonoro, preste atenção às luzes LED de temperatura do congelador, que correspondem à temperatura mais elevada que o compartimento de congelador atingiu durante a falha de energia. Pressione o botão "Parar alarme" para desativar o sinal sonoro. Após pressionar o botão, a luz LED de temperatura irá mostrar de novo a temperatura programada. Se o compartimento do congelador ainda não atingiu a temperatura ideal para conservar alimentos, o alarme do compartimento do congelador poderá ser ativado (consulte alarme de temperatura do compartimento do congelador). Verifique o estado dos alimentos antes de os consumir.
	<b>Alarme de temperatura do compartimento do congelador</b> O alarme de temperatura do compartimento do congelador indica que o compartimento não se encontra na temperatura ideal. Quando: o congelador é usado pela primeira vez, depois da descongelação e/ou limpeza, se forem colocadas, dentro do congelador, grandes quantidades de alimentos, ou, quando a porta do congelador não é fechada corretamente.	Ao pressionar o botão (1) ou o botão (6), o alarme sonoro é silenciado.

**WWW.FRANKE.COM**

© Franke Technology and Trademark Ltd, Switzerland

## SUPORTE

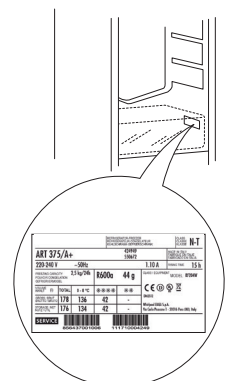
Na eventualidade de quaisquer problemas de funcionamento, contacte o Centro de Assistência Técnica Franke.

Nunca recorra aos serviços de técnicos não autorizados.

**Indique:**

- o tipo de avaria
- o modelo do aparelho (art./código)
- o número de série (S.N.).

Quando contactar o Centro de Assistência, forneça os códigos contidos na placa de características do seu produto.





Make  
it  
Wonderful

[www.franke.com](http://www.franke.com)

**FRANKE**

EN PB

400011622803

