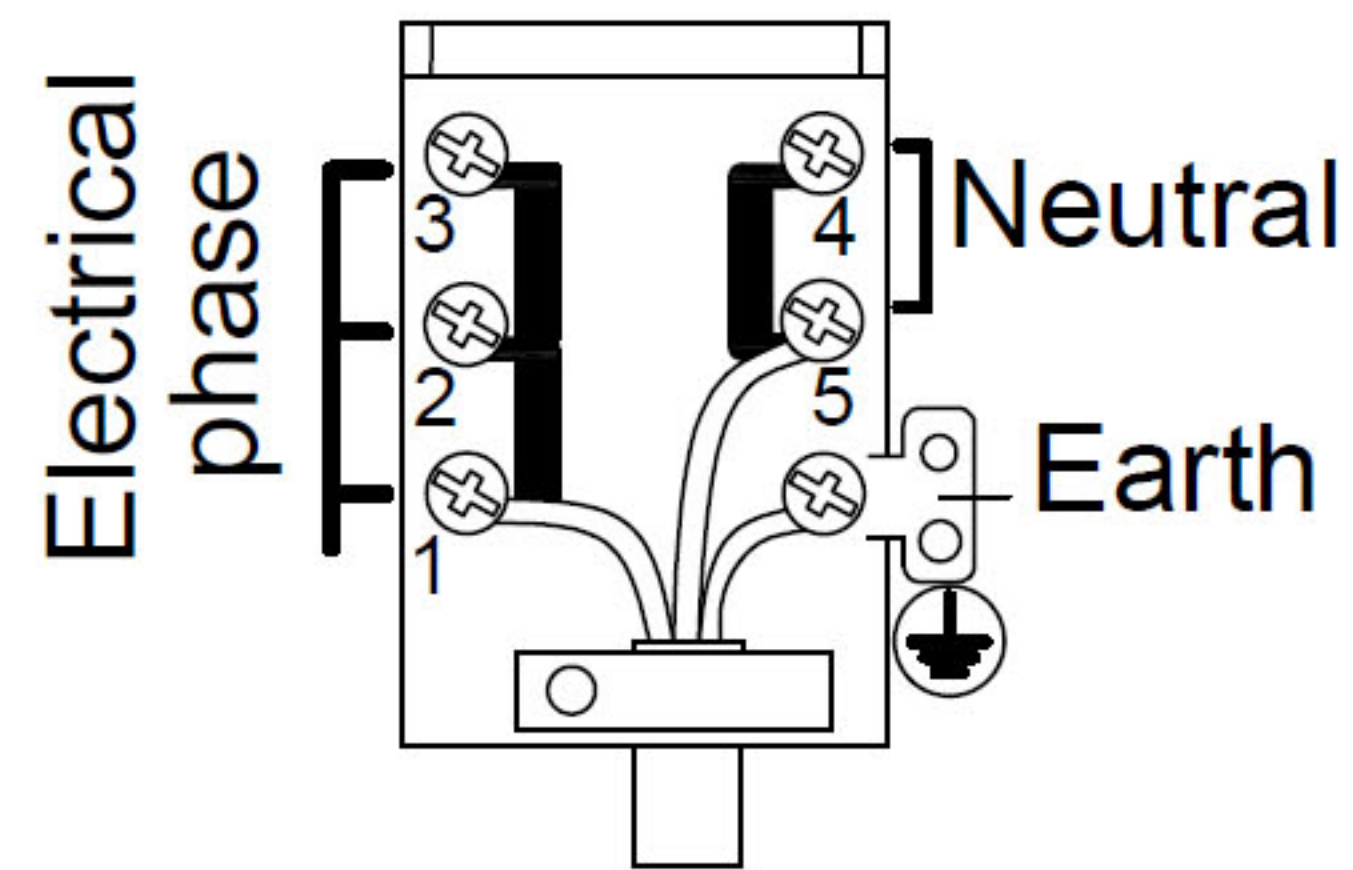
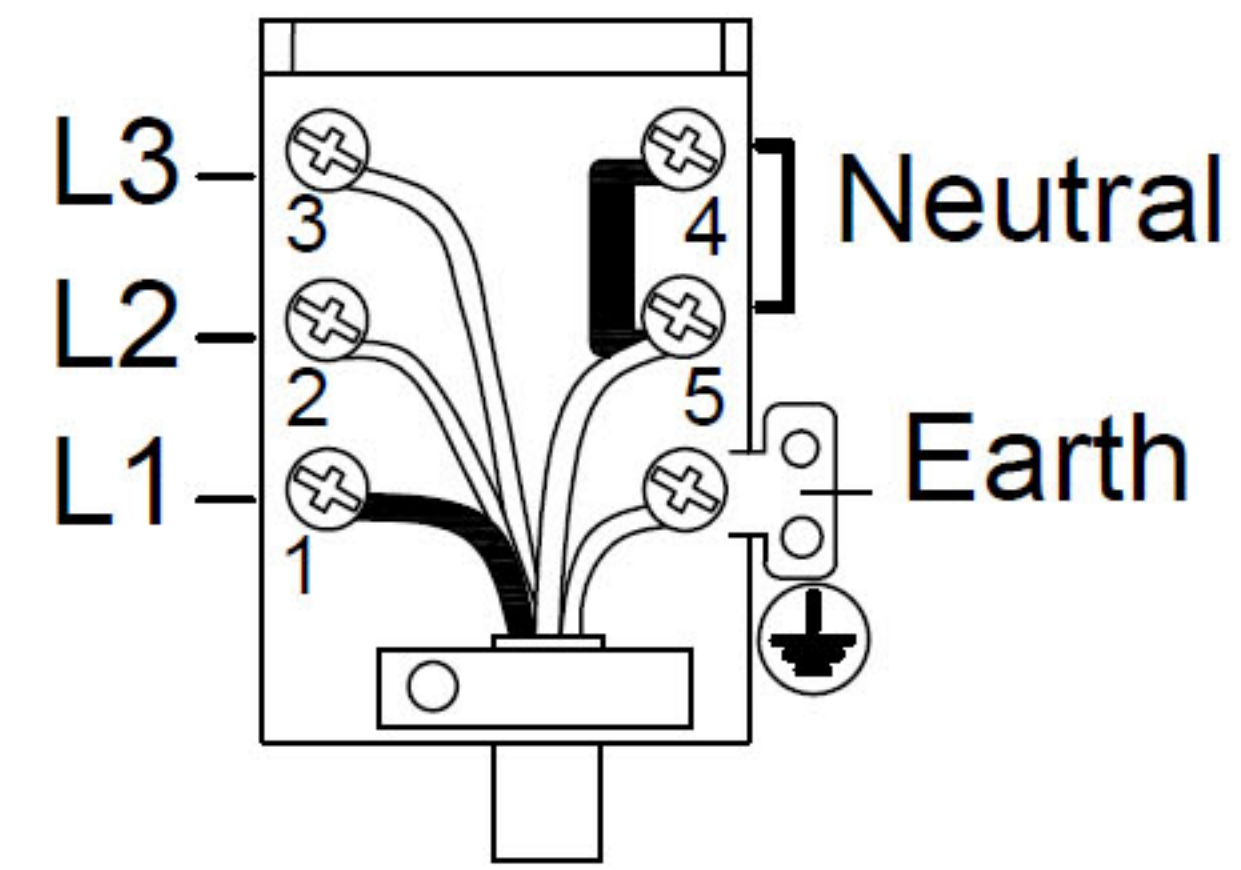


220-240V~ 1N
50/60Hz



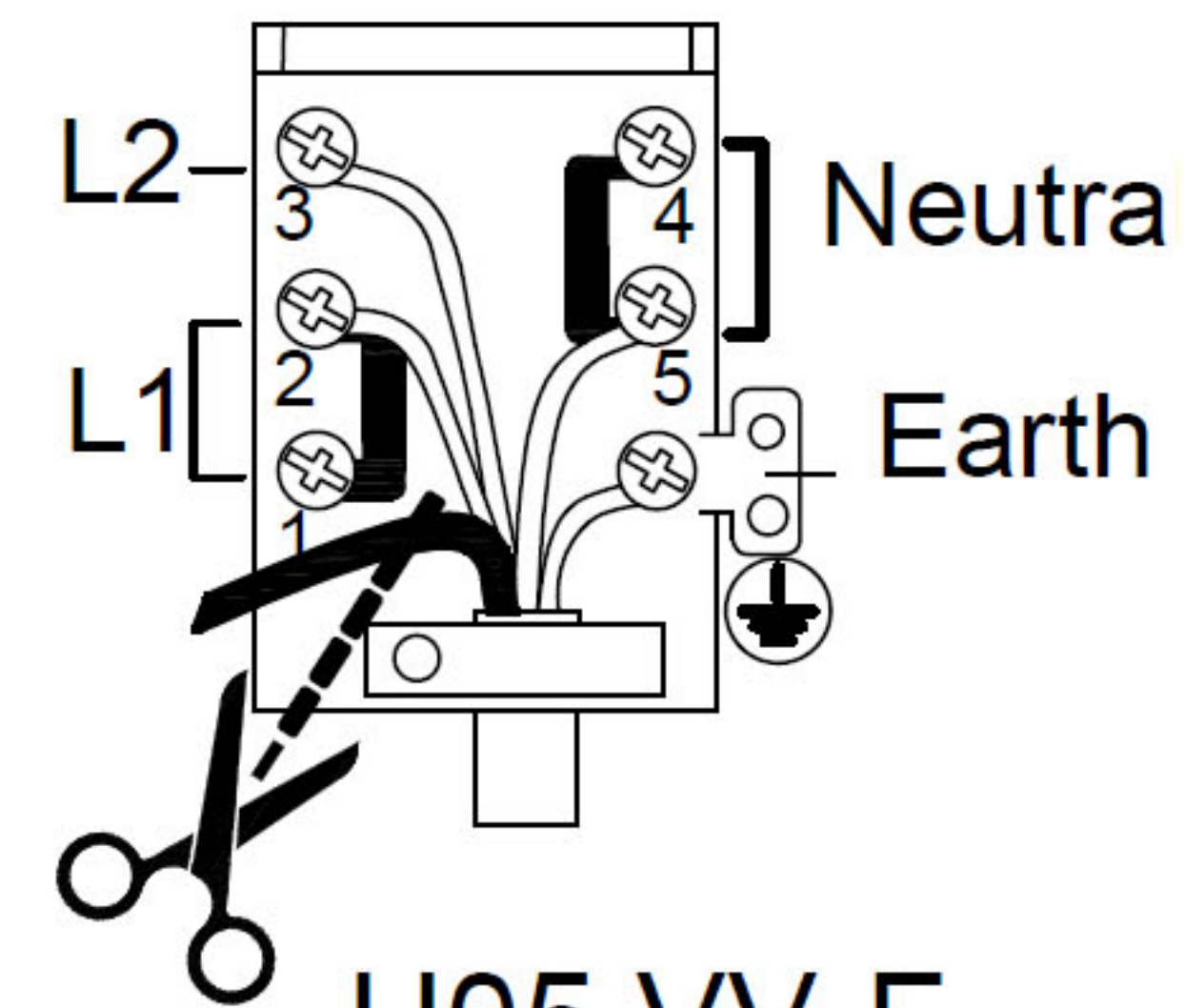
H05 VV-F
3G 4 mm²
(not included)

380-415V~ 3N
50/60Hz



H05 VV-F
5G 1,5 mm²
(included)

380-415V~ 3N
50/60Hz



H05 VV-F
5G 1,5 mm²
(included)

WARNING BEFORE OBTAINING ACCESS TO
TERMINALS, ALL SUPPLY CIRCUITS MUST BE
DISCONNECTED. THIS APPLIANCE MUST BE
EARTHED

