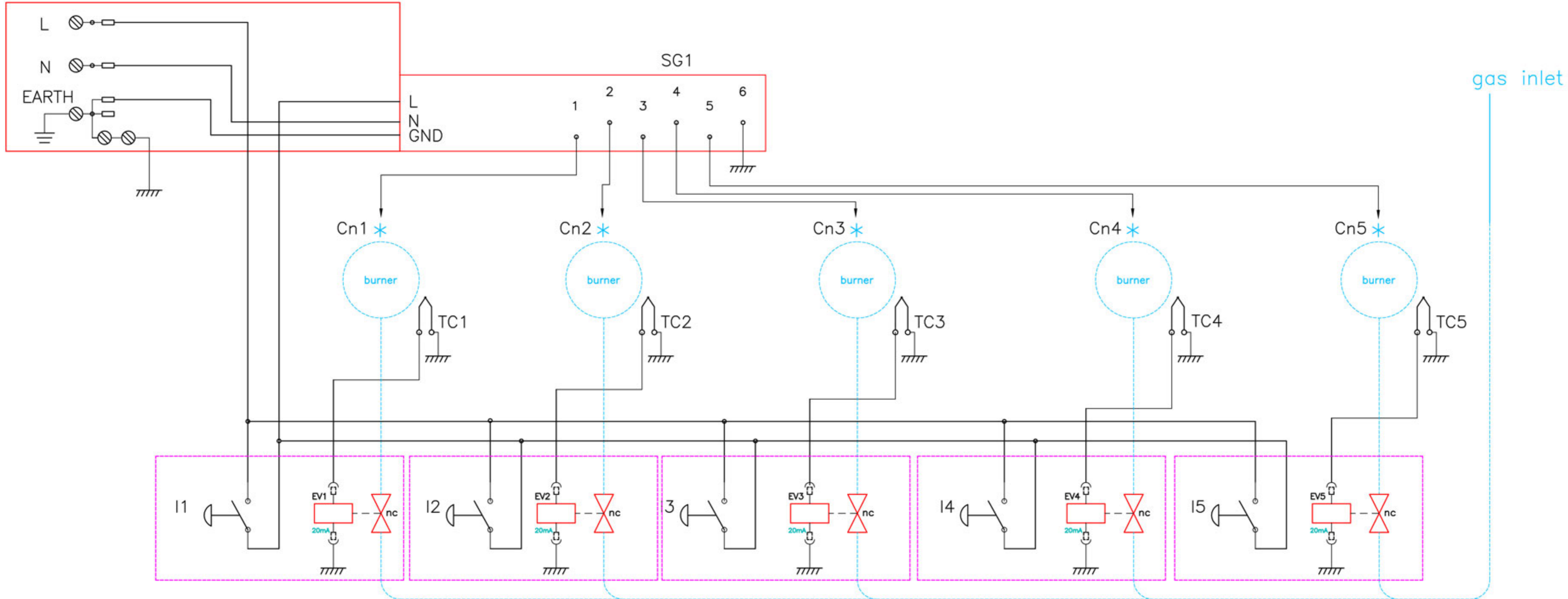


ELECTRICAL FUNCTIONAL SCHEME

SPARKS GENERATOR WITH INTEGRATED POWER SUPPLY CORD CONNECTION BLOCK
 TYPE BF90066-N04 220-240V AC 50/60 HZ 0.6W



EV1-5 : ElectroValve
 Cn1-5 : Spark emitter
 I1-5 : Push buttons on knobs with gas valve
 TC1-5 : TermoCouples

Drawn by	ZI998	02/05/2016	Replaced through		Thickness	Shear size	X	Weight
Checked by			Replacement for		Part Gr.	Part / Tool No.		Tolerance
Modified by	ZI998	04/05/2016	Originate from					ISO 2768 m
Revision Description:			Unit	mm	Scale	NTS		Material
			Department:	CCA		Project	CAD	
					Collection	ELECTRICAL SCH		
			Franke S.p.A. via Pignolini 2 37019 Peschiera del Garda VR, Italy Switchboard: +39 045 644311 Fax: +39 049 7552598 E-Mail: info@fp.franke.com Internet: www.franke.it		FHFS/FHCR 785/ 905GAS HOBS FUNCTIONAL SCHEME WIRING SCHEME			
			These drawings and specifications are the property of Franke Technology and Trademark Ltd. and shall not be reproduced, copied or transferred to any third party without the prior written permission of Franke Technology and Trademark Ltd., Hergiswil, Switzerland		Format	A3		Drawing No.
					0006-111101		Rev.	