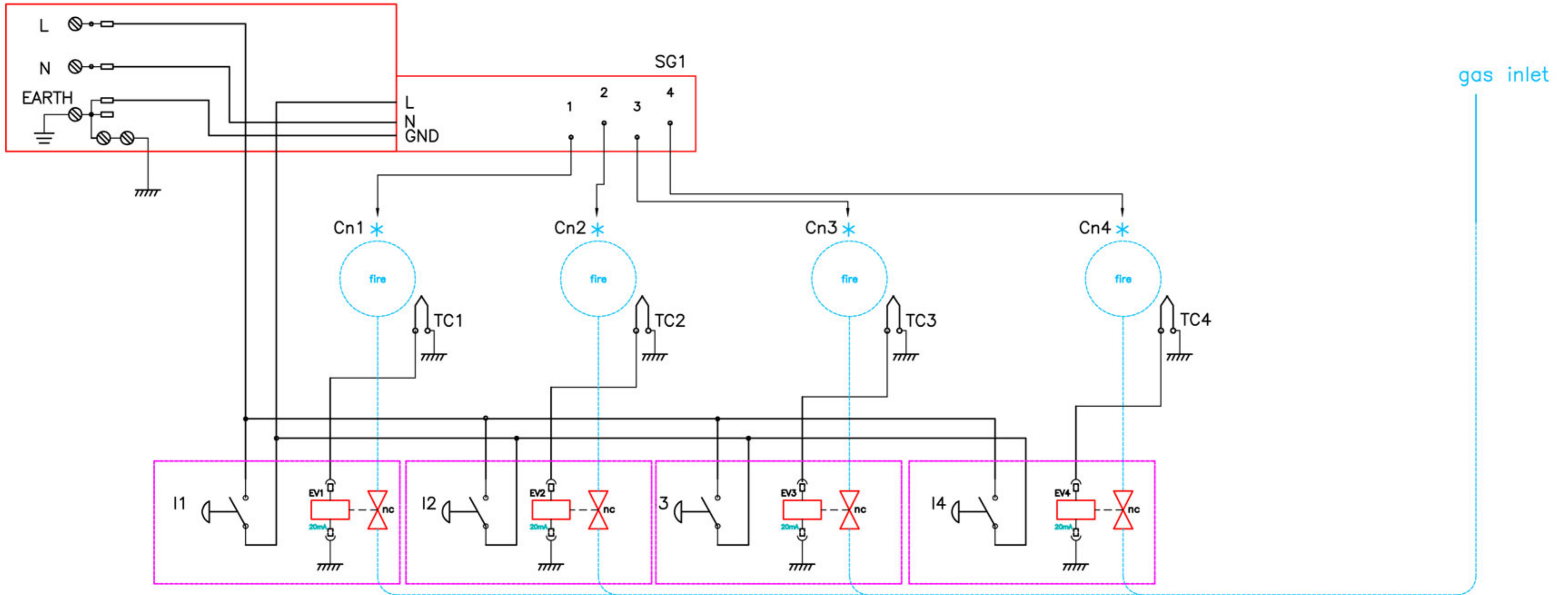


# ELECTRICAL FUNCTIONAL SCHEME

SPARKS GENERATOR WITH INTEGRATED POWER SUPPLY CORD CONNECTION BLOCK  
 TYPE BF90066-N04 220-240V AC 50/60 HZ 0.6W



EV1-4 : ElectroValve  
 Cn1-4 : Spark emitter  
 I1-4 : Push buttons on knobs with gas valve  
 TC1-4 : ThermoCouples

|                       |       |            |   |             |                            |                 |                |            |
|-----------------------|-------|------------|---|-------------|----------------------------|-----------------|----------------|------------|
| Drawn by              | ZI998 | 04/05/2016 | Replaced through  |             | Thickness                  | Shear size      | X              | Weight     |
| Checked by            |       |            | Replacement for   |             | Part Gr.                   | Part / Tool No. |                | Tolerance  |
| Modified by           | ZI998 | 04/05/2016 | Originate from  |             |                            |                 |                | ISO 2768 m |
| Revision Description: |       |            | Unit  | Scale       | Material                   |                 | Remark         |            |
|                       |       |            | mm  | NTS         |                            |                 |                |            |
|                       |       |            | Department:   | CCA         | Project                    |                 | Collection     |            |
|                       |       |            |   |             | CAD                        |                 | ELECTRICAL SCH |            |
|                       |       |            | Franke S.p.A.<br>via Pignolini 2<br>37019 Peschiera del Garda VR, Italy<br>Switchboard: +39 045 8449311<br>Fax: +39 049 7552598<br>E-Mail: info@fp.franke.com<br>Internet: www.franke.it  |             | FHFS/FHCR 604/584 GAS HOBS |                 |                |            |
|                       |       |            | These drawings and specifications are the property of Franke Technology and Trademark Ltd. and shall not be reproduced, copied or transferred to any third party without the prior written permission of Franke Technology and Trademark Ltd., Hergiswil, Switzerland |             | FUNCTIONAL SCHEME          |                 |                |            |
|                       |       |            |   |             | WIRING SCHEME              |                 |                |            |
|                       |       |            | Format  | Drawing No. | Rev.                       |                 |                |            |
|                       |       |            | A3  | 0006-111141 |                            |                 |                |            |