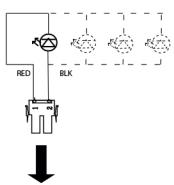
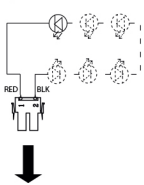


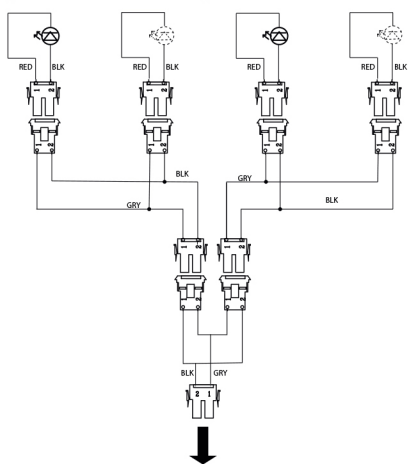
electrical series connection



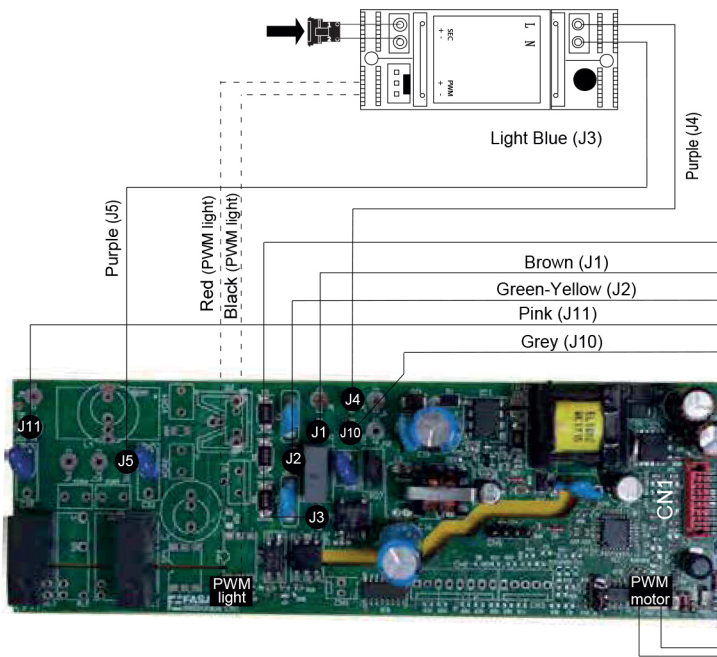
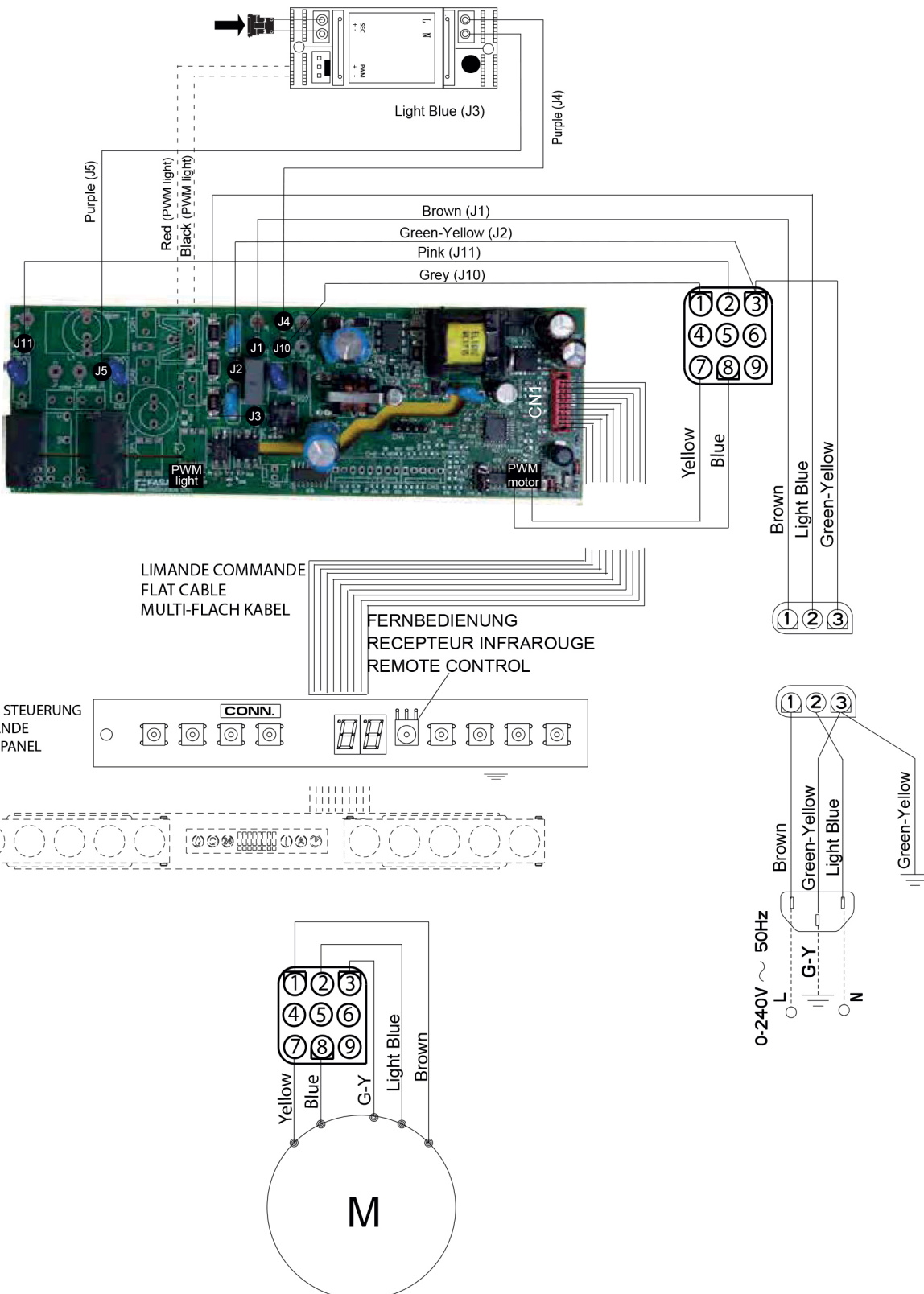
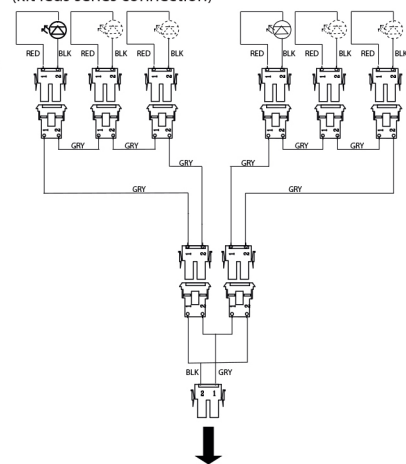
parallel electrical assembly



parallel electrical assembly



parallel electrical assembly (kit leds series connection)



LIMANDE COMMANDE
FLAT CABLE
MULTI-FLACH KABEL

FERNBEDIENUNG
RECEPTEUR INFRAROUGE
REMOTE CONTROL

ELEKTRONISCHE STEUERUNG
BOITIER COMMANDE
PUSCH BUTTON PANEL

0-240V ~ 50Hz
L
N
G-Y

