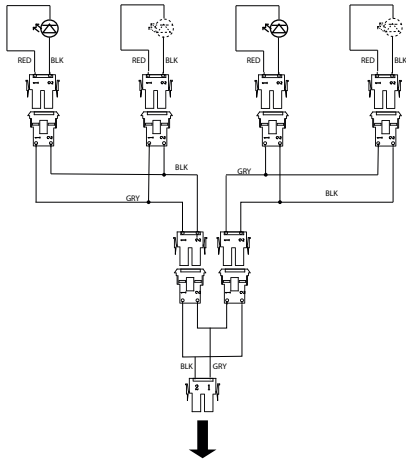
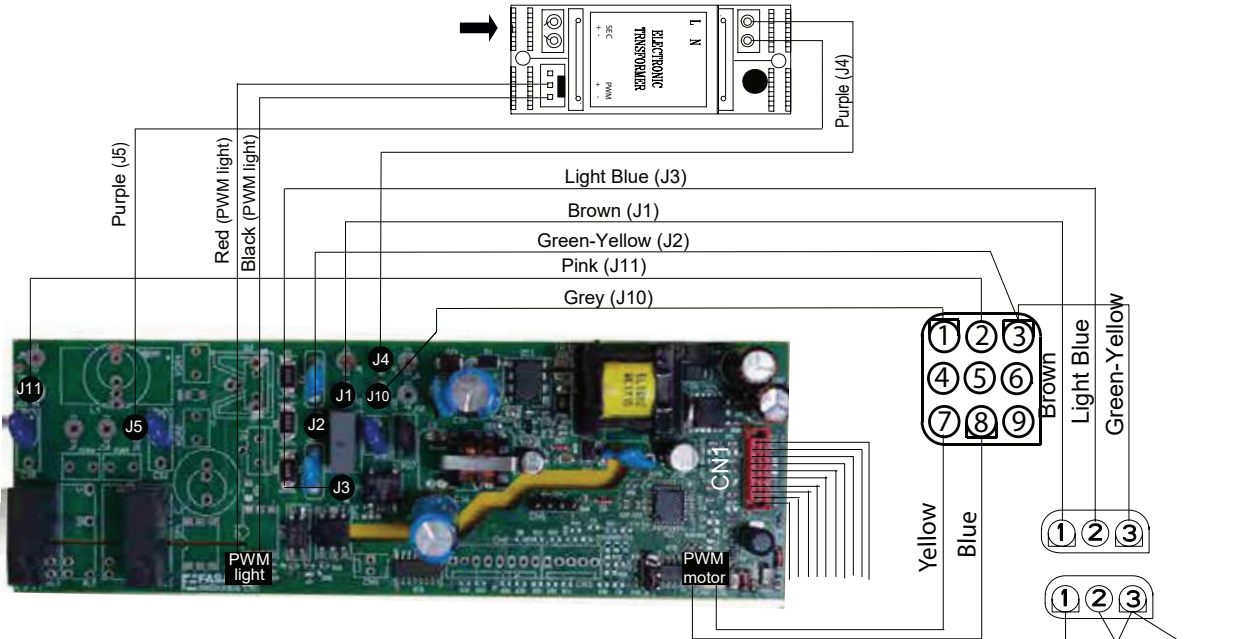
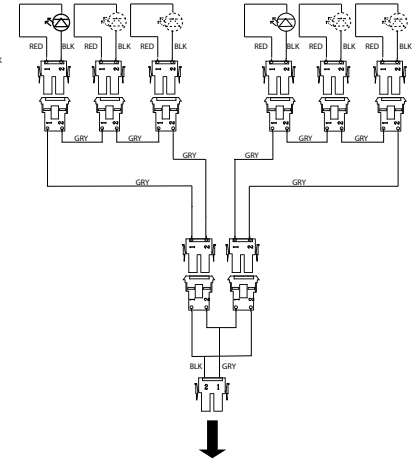


parallel electrical assembly

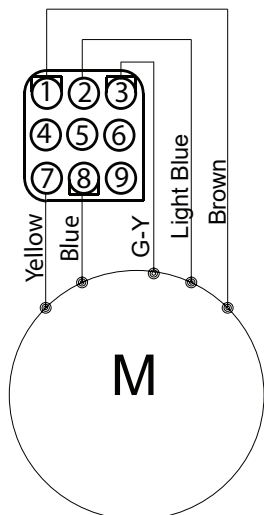
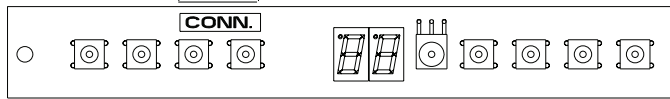


parallel electrical assembly
(kit leds series connection)

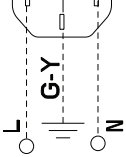


LIMANDE COMMANDE
FLAT CABLE
MULTI-FLACH KABEL

ELEKTRONISCHE STEUERUNG
BOITIER COMMANDE
PUSCH BUTTON PANEL



220-240V ~ 50Hz



Created by : FRANKE France	
Designation Wiring diagram	
Ref: Aqua/Drop slim-Nature	
Modif by: FRANKE France	
Approved by: Bottin Gabriel	
Approval state: 05.02.2021	
Doc. Status: released	
Ref. Code :	Rev.
991.0643.449	01