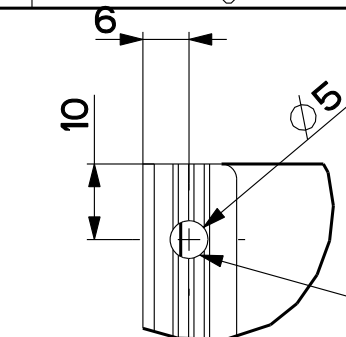
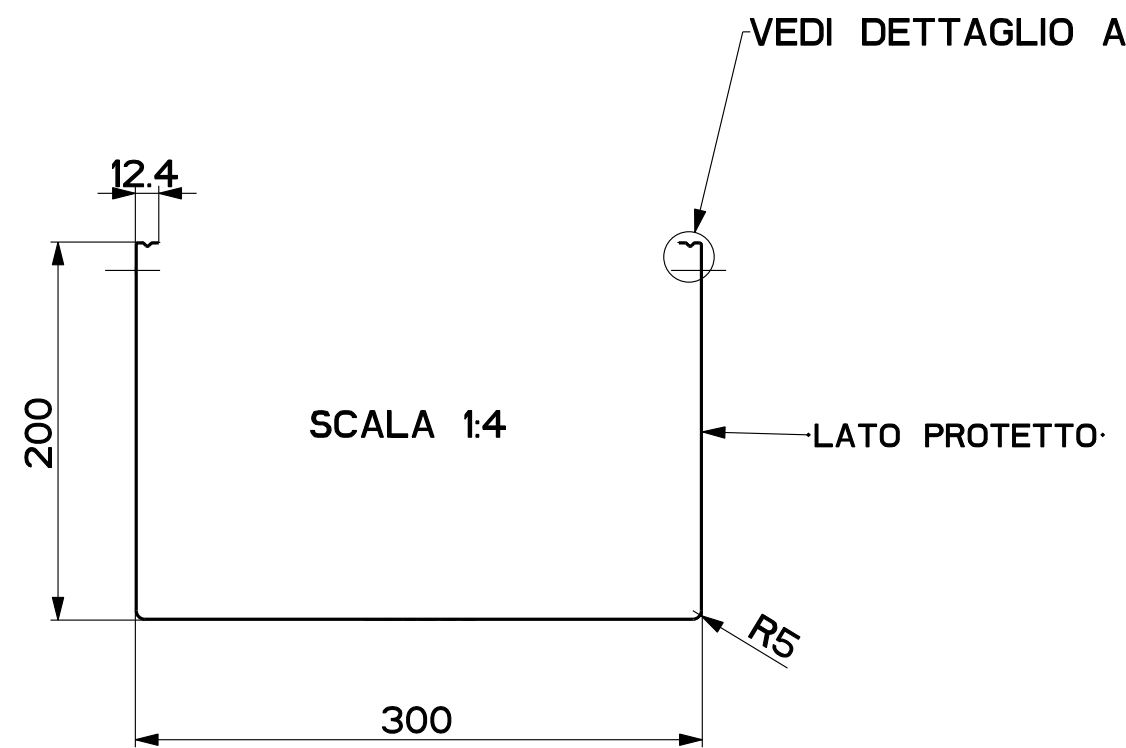
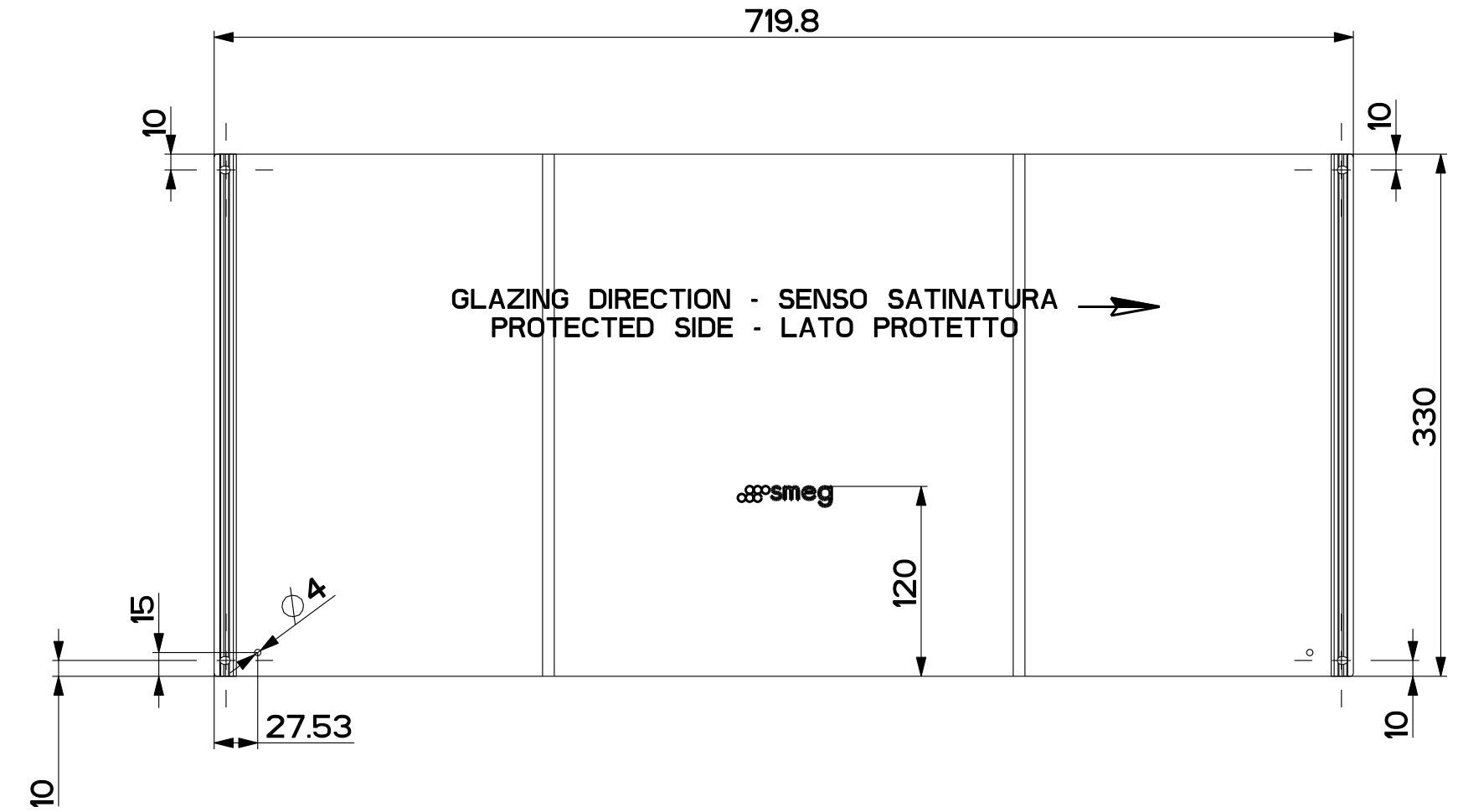
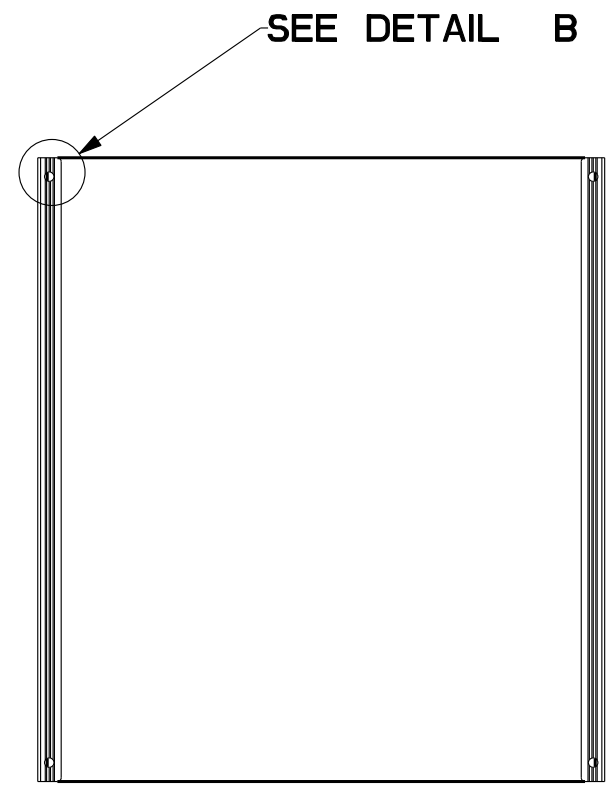


Optional. Definition of the code must be checked for each brand.

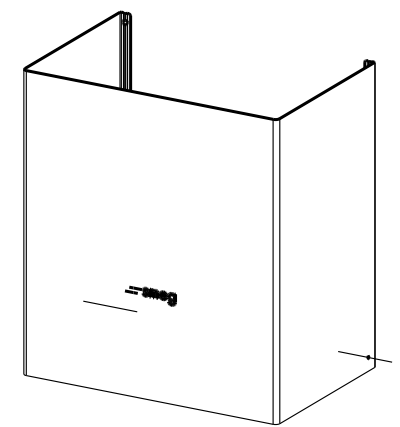
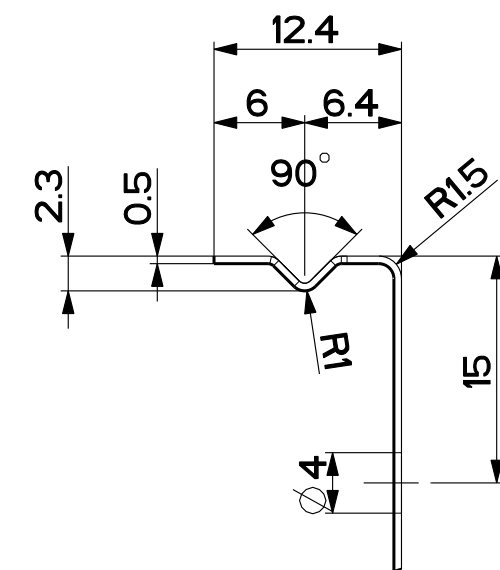
DETAIL B  
SCALE 1:1



HOLES FOR PAINTING - ONLY FOR VERSION IN CARBON STEEL  
FORI PER VERNICIATURA - SOLO PER VERSIONI IN FE



DETTAGLIO A  
SCALE 2:1



SCALE 13:100

TOLERANCE CLASSES		GENERAL TOLERANCE LINEAR DIMENSION						
ISO 2768-1		0.5-3	3-6	6-30	30-120	120-400	400-1000	1000-2000
FINE	-	+0.05	+0.05	+0.1	+0.15	+0.2	+0.3	+0.5
MEDIUM	X	+0.1	+0.1	+0.2	+0.3	+0.5	+0.8	+1.2
COARSE	-	+0.2	+0.3	+0.5	+0.8	+1.2	+2	+3
VERY COARSE	-	-	+0.5	+1	+1.5	+2.5	+4	+6

Created by Solutions  
Creation date 14-Apr-2011 16:21

Modification description  
ADD. HOLES FOR PAINTING

Denomination  
LOWER CHIMNEY X 300-200-A330-R5

Material  
AISI-430-BA-SR-FE-P01

Thickness  
5/10

Weight  
Kg 0.933

Doc. status  
Released

Drawing N.  
CWA\_002B

Rev  
07

Approved by Palazzi, Walter  
Approval date 15-Feb-2019

Doc. Type PART

Lang EN Scale 1:1 Form A2 Sheet 1/1

© Copyright Franke Technology and Trademark Ltd.