

1

2

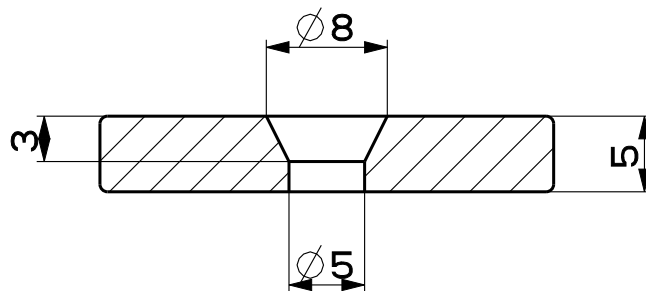
3

4

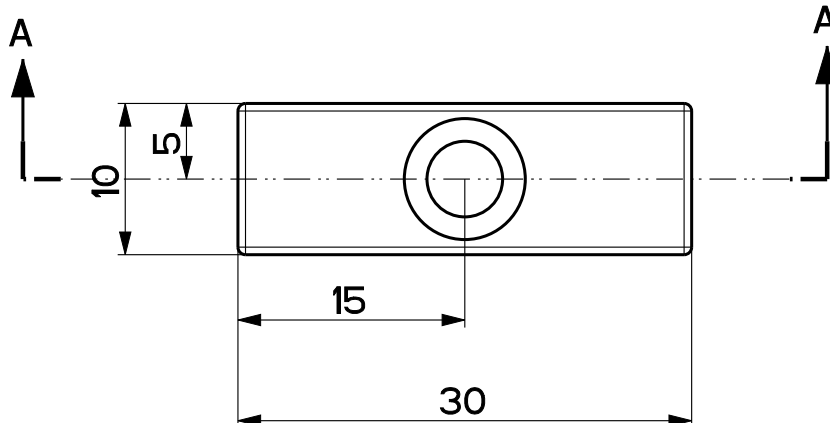
A

SECTION A-A

A

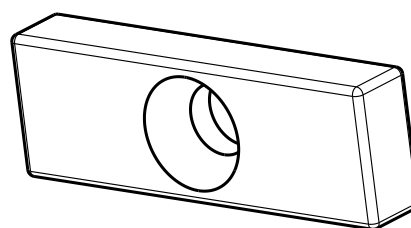


B



B

C





C

D

- FORZA DEL MAGNETE 5.6Kg.
- TEMPERATURA MASSIMA DI LAVORO 120 °C
- DIMENSIONI 30mmx10mm H5mm
- DIAMETRO FORO \varnothing 5mm SVASATURA \varnothing 8mm
- strong magnet 5.6Kg.
- maximum working temperature 120 °C
- dimensions 30mmx10mm H5mm
- hole diameter \varnothing 5mm countersunk \varnothing 8mm

D

TOLERANCE CLASSES		GENERAL TOLERANCE LINEAR DIMENSION							Created by Bellucci, Daniele
ISO 2768-1		0.5-3	3-6	6-30	30-120	120-400	400-1000	1000-2000	
FINE	-	±0.05	±0.05	±0.1	±0.15	±0.2	±0.3	±0.5	Creation date 07-Oct-2011 14:45
MEDIUM	X	±0.1	±0.1	±0.2	±0.3	±0.5	±0.8	±1.2	
COARSE	-	±0.2	±0.3	±0.5	±0.8	±1.2	±2	±3	Modif.by Bellucci, Daniele
VERY COARSE	-	-	±0.5	±1	±1.5	±2.5	±4	±6	
<small>These drawings and specifications are the property of Franke Technology and Trademark Ltd and shall not be reproduced, copied or transferred to any third party without the prior written permission of Franke Technology and Trademark Ltd, Switzerland. It is strictly prohibited to get quotes from the drawing or bring modifications whatsoever without the prior written consent of Franke Technology and Trademark Ltd.</small>									Doc.Type PART
Modification description									
		Denomination						Approved by Bellucci, Daniele	
		MAGNET 30x10x5 NQ01.3015 SC35HMA NI						Approval date 01-Feb-2021	
		Material			Thickness		Weight		Doc. status Released
		STEEL			-		Kg 0.011		
© Copyright Franke Technology and Trademark Ltd		Lang EN		Scale 2:1		Form A4		Sheet 1/1	
								Drawing N. CMM_045	
								Rev 01	