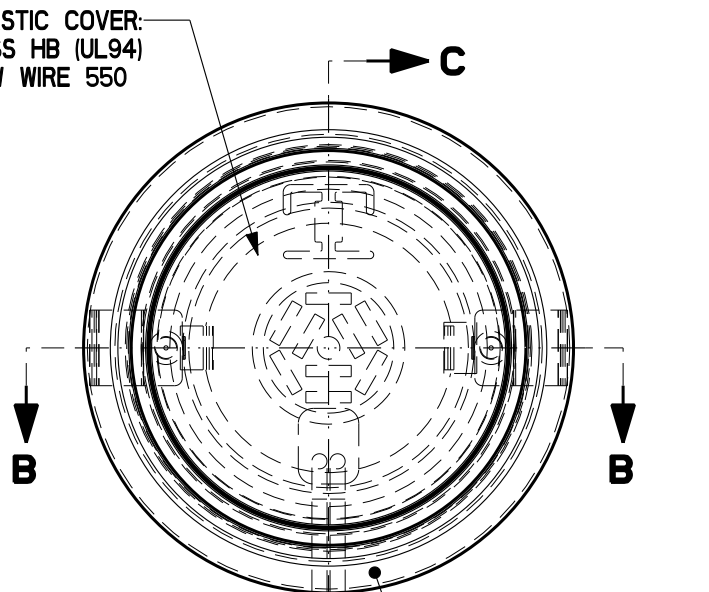


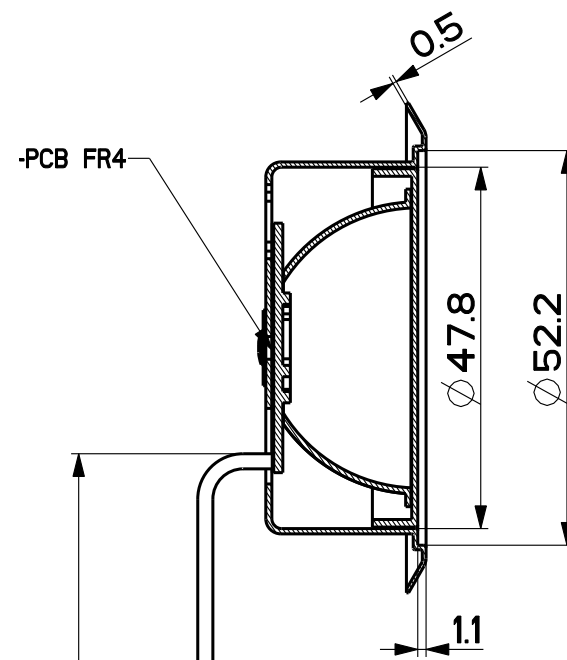
0.05

FRONT PLASTIC COVER:
FLAME CLASS HB (UL94)
BP 105 °C GLOW WIRE 550



SUPERFICIE SPAZZOLATA
-FINE GLAZING SURFACE

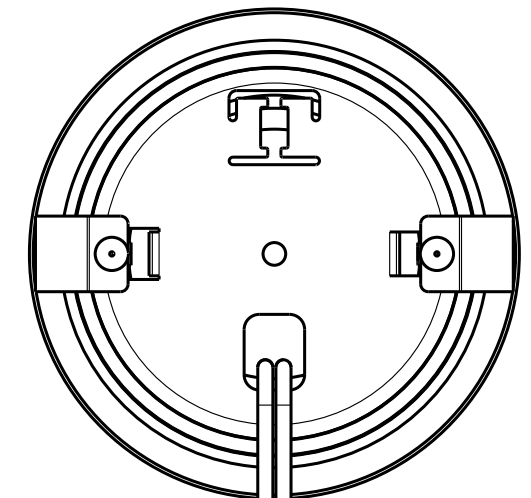
Description: UNIVERSAL FEMALE TERMINAL $\varnothing 2.1$ 0.31
Supplier 1: INARCA
COMPONENT NAME SUPPLIER COD. 0011060101
Supplier 2: GMG
COMPONENT NAME SUPPLIER COD. 35175.52.086



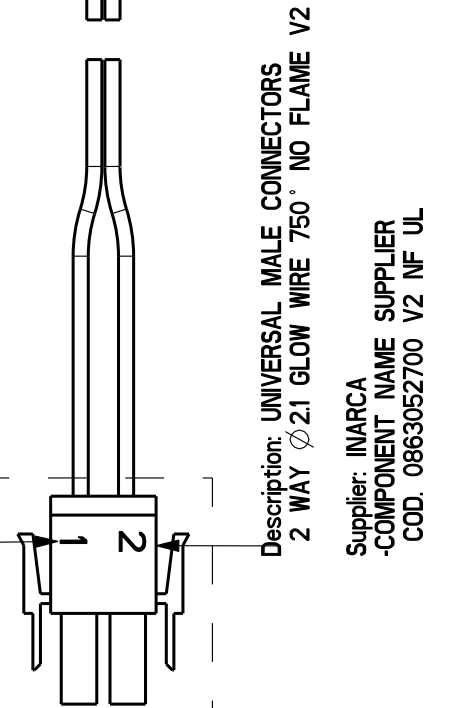
CABLE T80° MINIMUM SECTION
AWG24 OR PVC 0.22mm 300V

150 ± 5

SECTION C-C

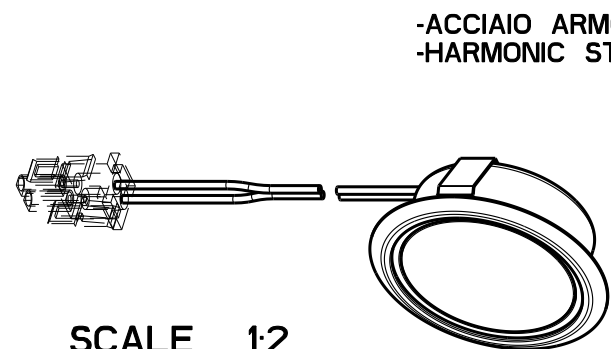


THE HEAT-SHRINKABLE SLEEVING IDENTIFIES
THE POSITIVE POLARIZATION OF INSIDE DIODES (+)



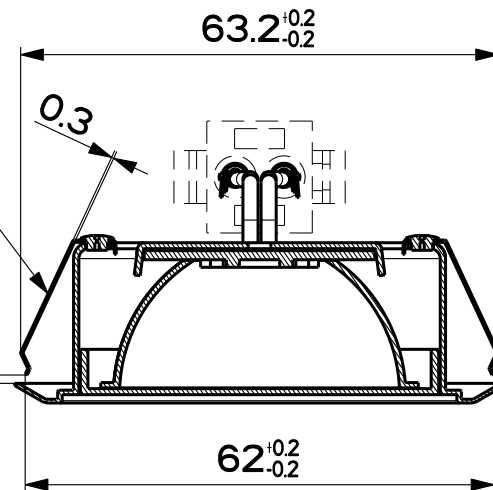
Description: UNIVERSAL MALE CONNECTORS
2 WAY $\varnothing 2.1$ GLOW WIRE 750° NO FLAME V2

Supplier: INARCA
-COMPONENT NAME SUPPLIER
COD. 0863052700 V2 NF UL



SCALE 1:2

SECTION B-B



the connector is showed just to explain how it should be mounted, it does not imply that it arrives together with the lamp.

TOLERANCE CLASSES ISO 2768-1	GENERAL TOLERANCE LINEAR DIMENSION						
	0.5-3	3-6	6-30	30-120	120-400	400-1000	1000-2000
FINE	±0.05	±0.05	±0.1	±0.15	±0.2	±0.3	±0.5
MEDIUM	±0.1	±0.1	±0.2	±0.3	±0.5	±0.8	±1.2
COARSE	±0.2	±0.3	±0.5	±0.8	±1.2	±2	±3
VERY COARSE	-	±0.5	±1	±1.5	±2.5	±4	±6

Do not get quotas from the drawing do not bring modifications without authorization of technical office. According to the law we reserve the own of the present drawing with reproduction prohibition partial or total.

Modification description
SPECIFIED THAT THE CONNECTOR MAY NOT ARRIVES TOGETHER WITH THE LAMP. CN.3675



Denomination ASS. SPOT LIGHT ECO LED S1000 1W		Created by Tomassoli, Paolo	
Material		Creation date 21-Jan-2013 11:06	
Thickness	Weight Kg 0.030	Modif.by Mariotti, Nicola	
Lang EN	Scale 1:1	Doc.Type ASSEM	
Form A3	Sheet 1/1	Approved by Faginoli, Francesco	
Released		Approval date 27-Jan-2017	
Drawing N. CME_705		Rev 03	