

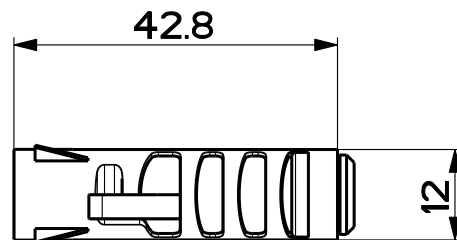
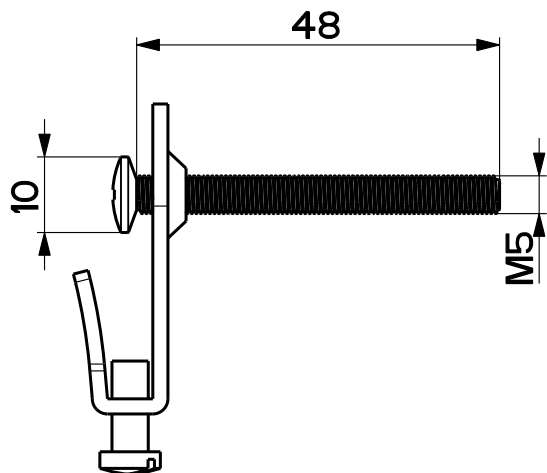
1

2

3

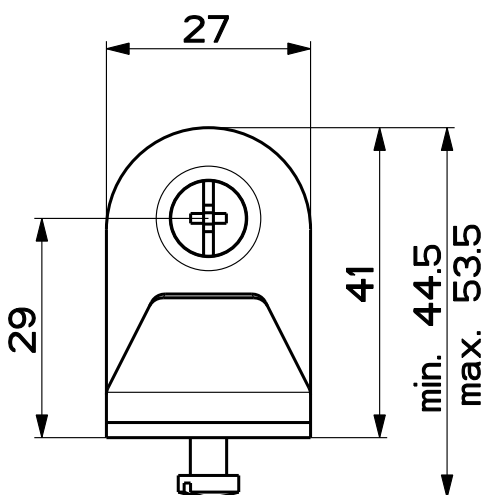
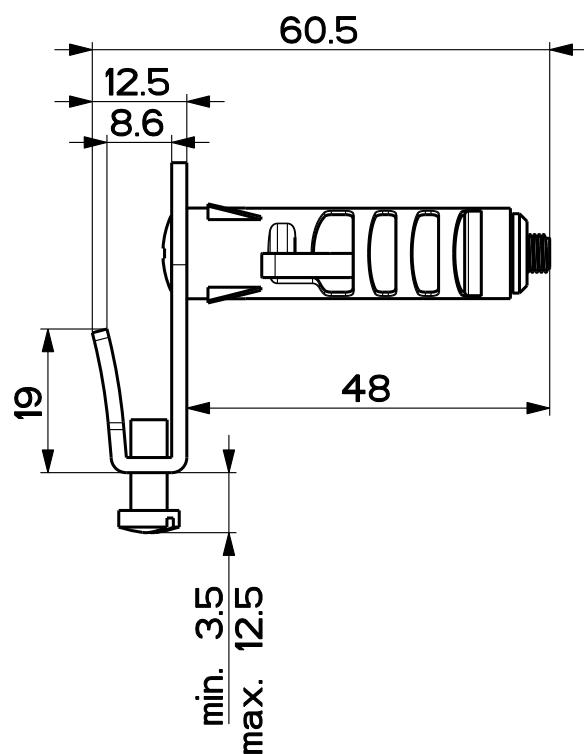
4

A



A

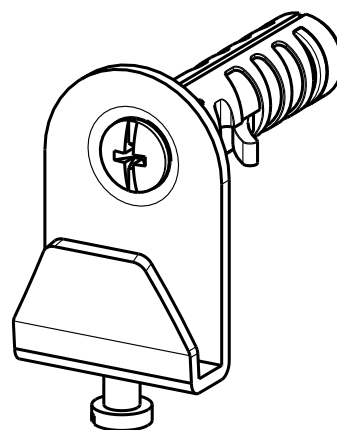
B



B





C

D



C

D

TOLERANCE CLASSES		GENERAL TOLERANCE LINEAR DIMENSION							Created by <b>KAD3</b>
ISO 2768-1		0.5-3	3-6	6-30	30-120	120-400	400-1000	1000-2000	
FINE	-	±0.05	±0.05	±0.1	±0.15	±0.2	±0.3	±0.5	Creation date <b>13-Jul-2018 14:49</b>
MEDIUM	X	±0.1	±0.1	±0.2	±0.3	±0.5	±0.8	±1.2	
COARSE	-	±0.2	±0.3	±0.5	±0.8	±1.2	±2	±3	Modif.by <b>Galassi, Raffaele</b>
VERY COARSE	-	-	±0.5	±1	±1.5	±2.5	±4	±6	
<p>These drawings and specifications are the property of Franke Technology and Trademark Ltd and shall not be reproduced, copied or transferred to any third party without the prior written permission of Franke Technology and Trademark Ltd, Switzerland. It is strictly prohibited to get quotes from the drawing or bring modifications whatsoever without the prior written consent of Franke Technology and Trademark Ltd.</p>									Doc.Type <b>ASSEM</b>
Modification description									
 		Denomination			Thickness		Weight		Approved by <b>Bellucci, Daniele</b>
		<b>ADJUSTABLE WALL MOUNT HOOK D12</b>					<b>Kg 0.038</b>		
 		Material		Form		Sheet		Doc. status <b>Released</b>	
		Lang <b>EN</b>		Scale <b>1:1</b>		Form <b>A4</b>		Sheet <b>1/1</b>	

© Copyright Franke Technology and Trademark Ltd