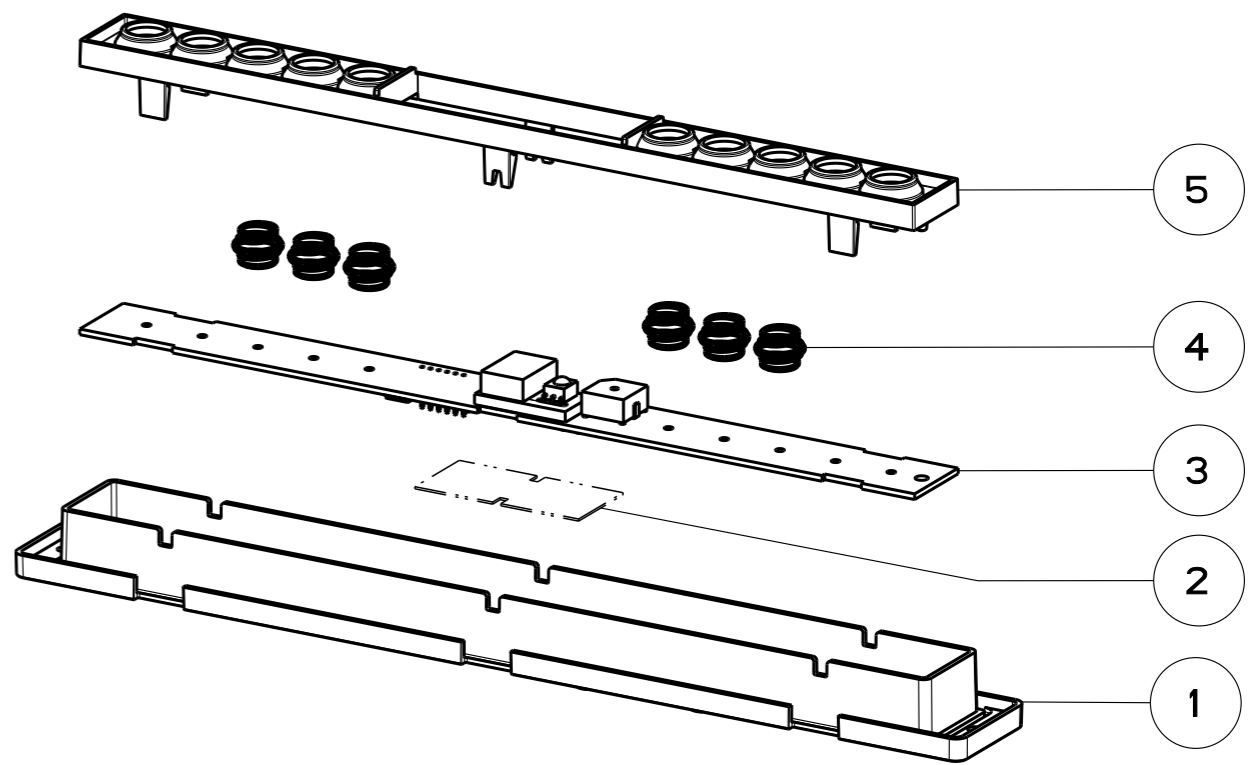
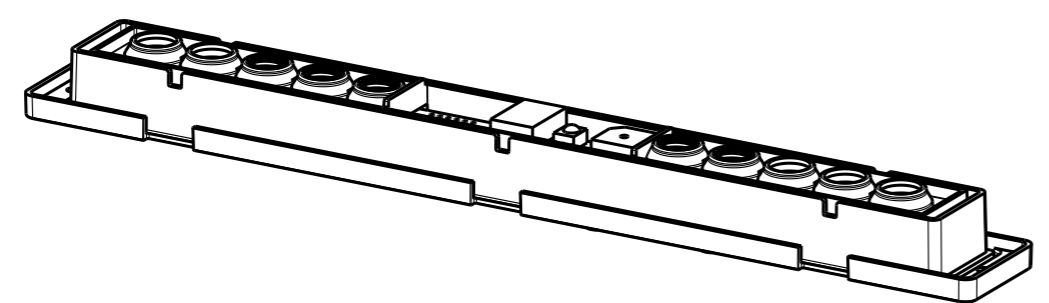
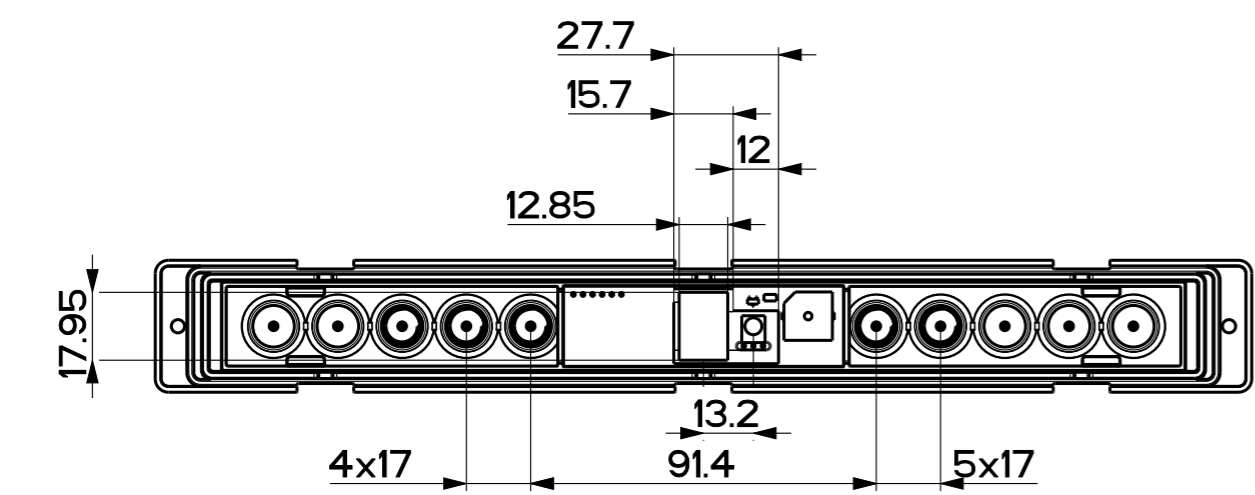


SECTION A-A



ID	DRAWING N.	REV.	DESCRIPTION	WEIGHT	Q.TY
1	K13_003	05	CONTROLS BOX	0.037	1
2	K13_016	01	K13 BOARD PVC SPACER	0.001	1
3	K13_715	01	CONTROL BOARD DOT MATRIX	0.013	1
4	K24_019	01	SPRING CAPACITIVE KEY	0.001	6
5	K13_012	02	SPRING SUPPORT 10 BUTTONS	0.017	1

TOLERANCE CLASSES ISO 2768-1	GENERAL TOLERANCE LINEAR DIMENSION						
	0.5-3	3-6	6-30	30-120	120-400	400-1000	1000-2000
FINE	±0.05	±0.05	±0.1	±0.15	±0.2	±0.3	±0.5
MEDIUM	±0.1	±0.1	±0.2	±0.3	±0.5	±0.8	±1.2
COARSE	±0.2	±0.3	±0.5	±0.8	±1.2	±2	±3
VERY COARSE	-	-	±0.5	±1	±1.5	±4	±6

These drawings and specifications are the property of Franke Technology and Trademark Ltd and shall not be reproduced, copied or transferred to any third party without the prior written permission of Franke Technology and Trademark Ltd, Switzerland. It is strictly prohibited to get quotes from the drawing or bring modifications whatsoever without the prior written consent of Franke Technology and Trademark Ltd.

Modification description <b>COMPONENT #2 ADDED (PR.01924)</b>			Created by <b>Perelli, Francesco</b>	
Denomination <b>PCB CAPACITIVE 6 BUTTONS DOT MATRIX</b>			Creation date <b>12-Apr-2018 15:49</b>	
Material	Thickness	Weight <b>Kg 0.070</b>	Modif.by <b>Perelli, Francesco</b>	
Lang <b>EN</b>	Scale <b>1:2</b>	Form <b>A3</b>	Doc.Type <b>ASSEM</b>	
Sheet <b>1/1</b>			Approved by <b>Romani, Fabio</b>	
©Copyright Franke Technology and Trademark Ltd			Approval date <b>05-Feb-2020</b>	
			Doc. status <b>Released</b>	
			Drawing N. <b>K13_716</b>	
			Rev <b>03</b>	

