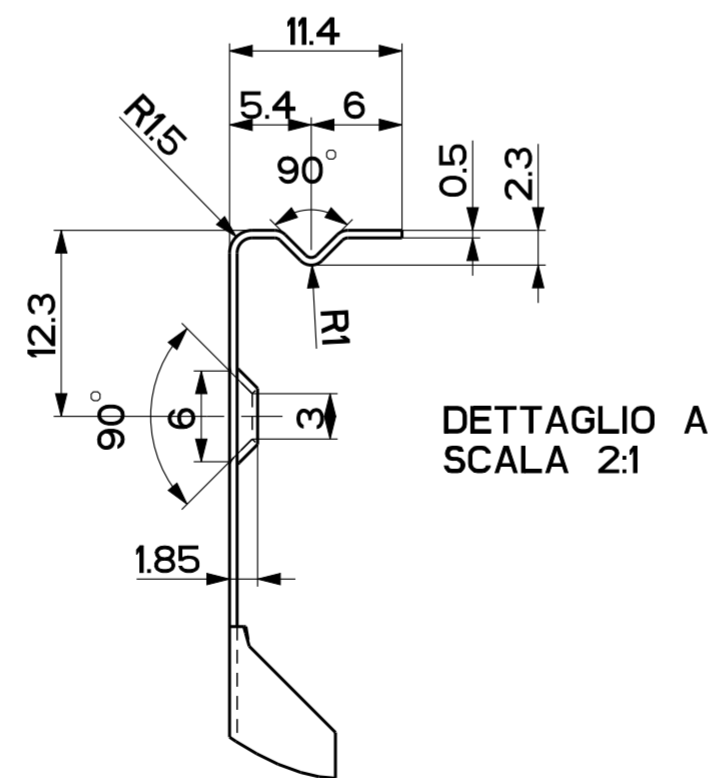
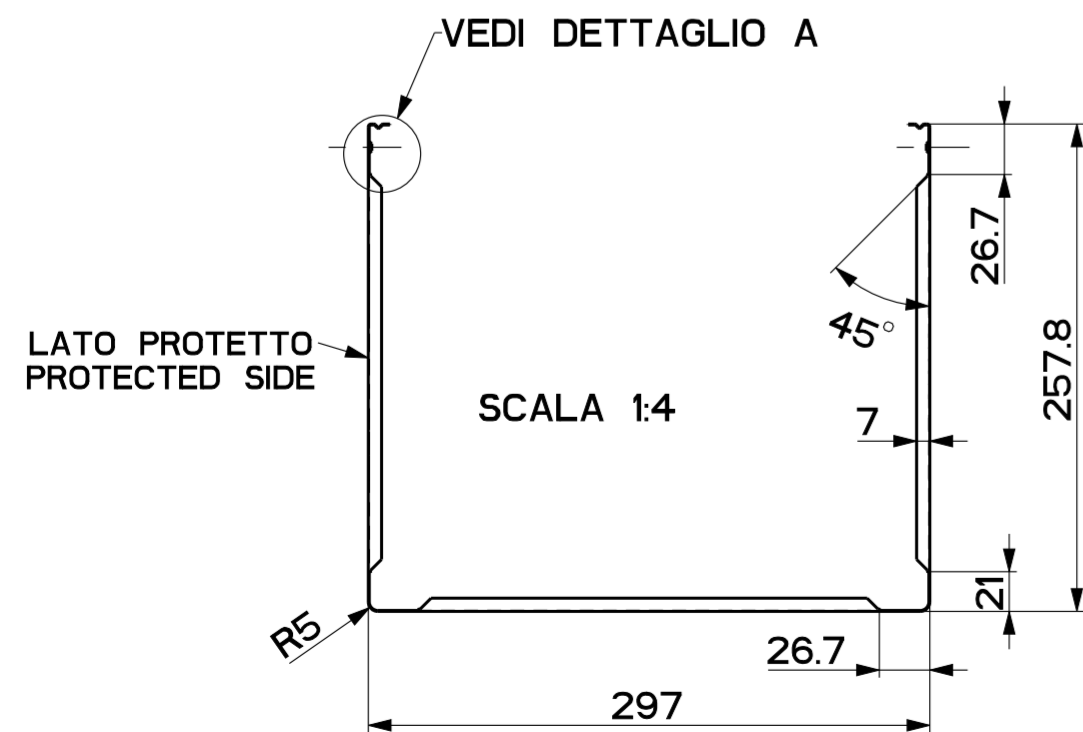
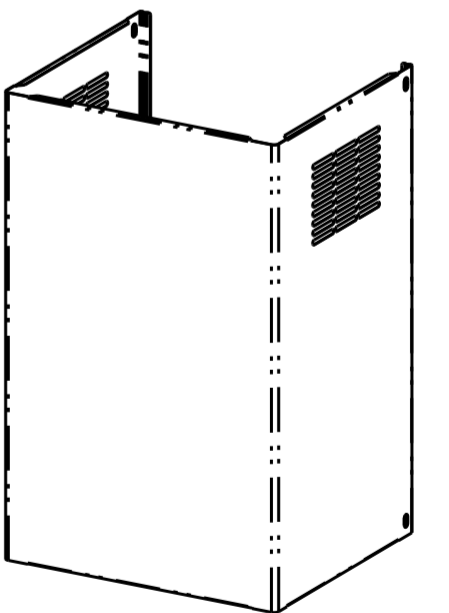


QUOTE DA NON CONSIDERARE  
PER I CAMINI DA STAMPO

DIMENSIONS WHICH YOU D'ONT  
TAKE CONSIDERATION FOR  
CHIMNEYS MADE BY MOULD



DETTAGLIO A  
SCALA 2:1

AISI-304-MD PIEGATO	AISI-304-MD PIANO
440008873	440016820

ALTEZZA PIEGATO	X PIEGATO 5/10	X PIANO 5/10	Fe PIEGATO 5/10	Fe PIANO 5/10	AISI-304-DC2 PIEGATO	AISI-304-DC2 PIANO
470	440001326	440001325	440001328	440001327	440008849	440016818

TOLERANCE CLASSES ISO 2768-1	GENERAL TOLERANCE LINEAR DIMENSION						
	0.5-3	3-6	6-30	30-120	120-400	400-1000	1000-2000
FINE	+0.05	+0.05	+0.1	+0.15	+0.2	+0.3	+0.5
MEDIUM	X	+0.1	+0.2	+0.3	+0.5	+0.8	+1.2
COARSE	-	+0.2	+0.3	+0.5	+0.8	+1.2	+3
VERY COARSE	-	-	+0.5	+1	+1.5	+2.5	+6

These drawings and specifications are the property of Franke Technology and Trademark Ltd and shall not be reproduced, copied or transferred to any third party without the prior written permission of Franke Technology and Trademark Ltd, Switzerland. It is strictly prohibited to get quotes from the drawing or bring modifications whatsoever without the prior written consent of Franke Technology and Trademark Ltd.

Modification description  
DUAL MATERIAL IX/Fe-P01 ADDED (CR-6379)

Denomination  
UPPER CHIMNEY X 300-260-F470-R5

Material  
AISI-430-BA-SR-Fe-P01

Thickness  
5/10

Weight  
Kg 1522

Lang EN Scale 1:1 Form A2 Sheet 1/1

Copyright Franke Technology and Trademark Ltd

Created by Perelli, Francesco

Creation date 14-Apr-2011 16:21

Modif.by Perelli, Francesco

Doc.Type PART

Approved by Palazzi, Walter

Approval date 19-May-2021

Doc. status Released

Drawing N. CWA 4001

Rev 04

