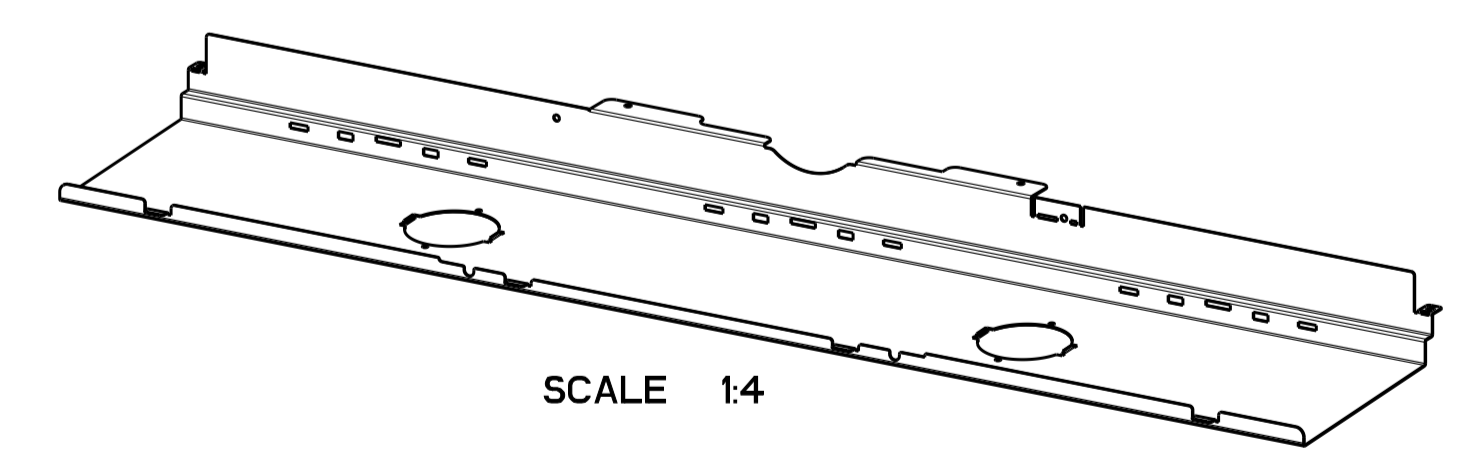
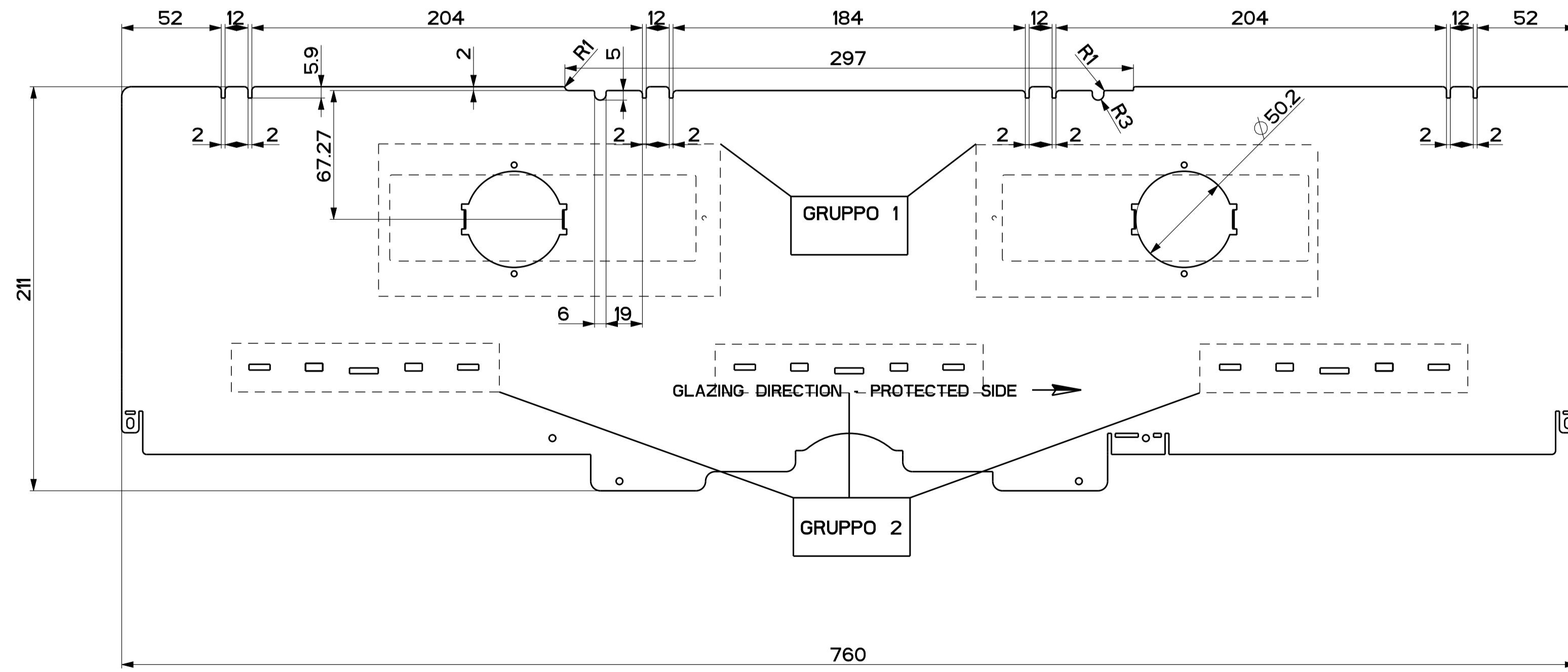
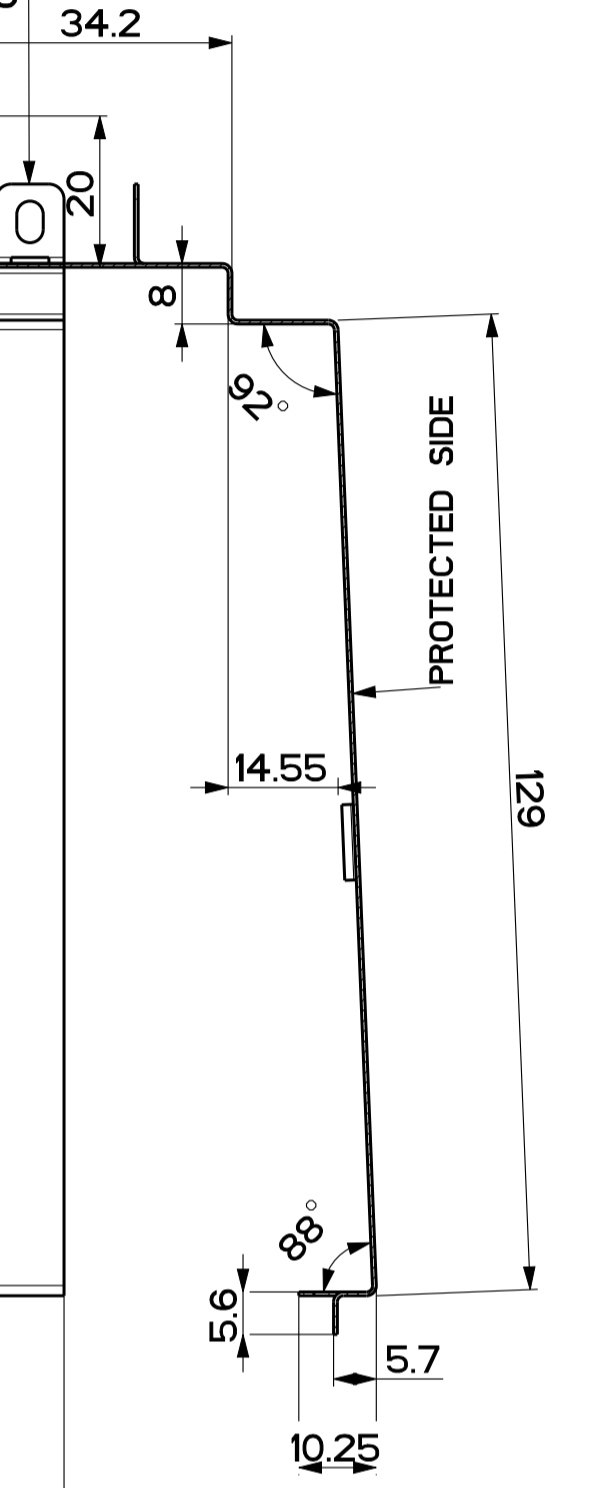
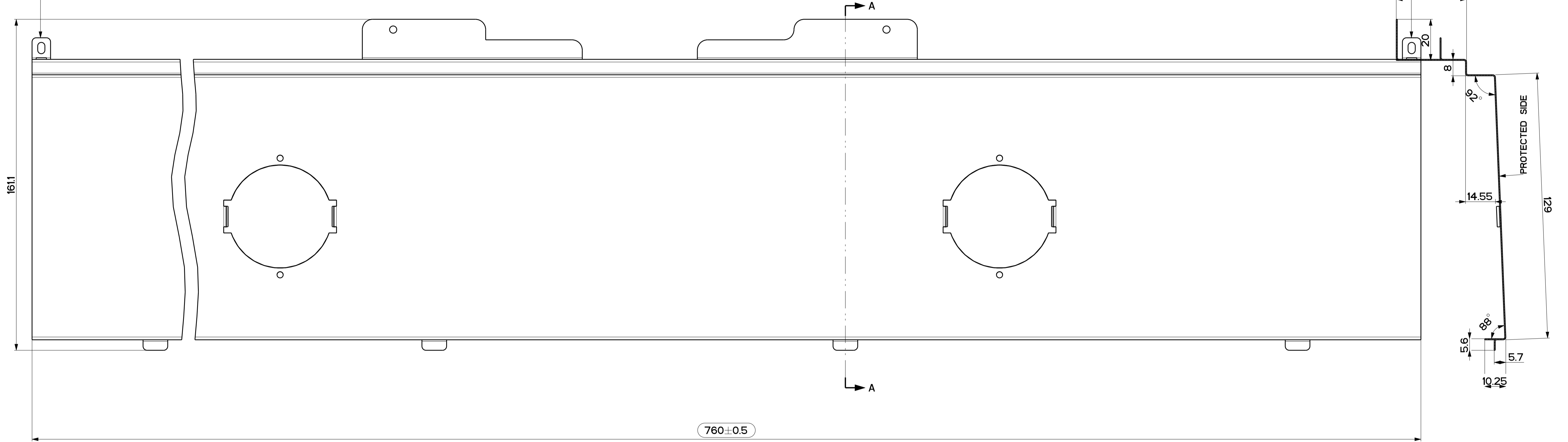


SECTION A-A

PIEGARE A MANO IN FASE DI ASSIEMAGGIO

PIEGARE A MANO IN FASE DI ASSIEMAGGIO



SCALE 1:2

SCALE 1:4

TOLERANCE CLASSES		GENERAL TOLERANCE LINEAR DIMENSION						Created by Perelli, Francesco	
ISO 2768-1	Symbol	3-6	6-30	30-100	100-400	400-1000	1000-2000	Creation date	14-Apr-2011 16:17
FINE	H	±0.05	±0.1	±0.15	±0.2	±0.3	±0.5		
MEDIUM	K	±0.1	±0.2	±0.3	±0.5	±0.8	±1.2		
COARSE	M	±0.2	±0.5	±0.8	±1.2	±2	±3		
VERY COARSE	N	±0.5	±1	±1.5	±2.5	±4	±6		

EMBOSSING FOR S1000 RESTORED (CN-8768)		Doc. Type PART	
Denomination		Approved by Bellucci, Daniele	
2 SPOT LAMPS SUPPORT K900		Approval date 15-Oct-2021	
Material AISI430-BA-SR BLACK FE-P01		Doc. status Released	
Thickness 5/10	Weight Kg 0.561	Drawing N. AQ4_021	
Lang EN		Scale 1:1	Form A1 Sheet 1/1
Copyright Franke Technology and Trademark Ltd		Rev	08