

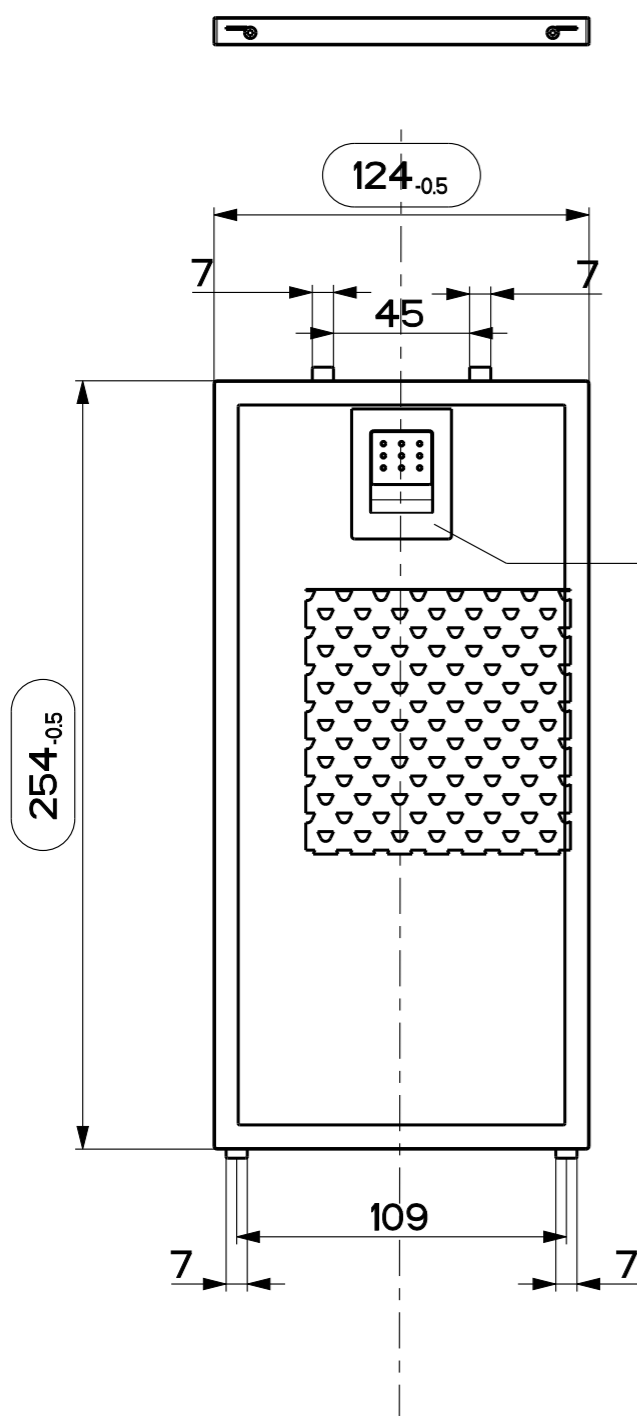
A

B

C

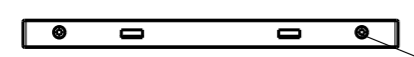
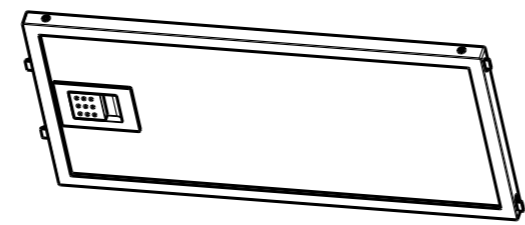
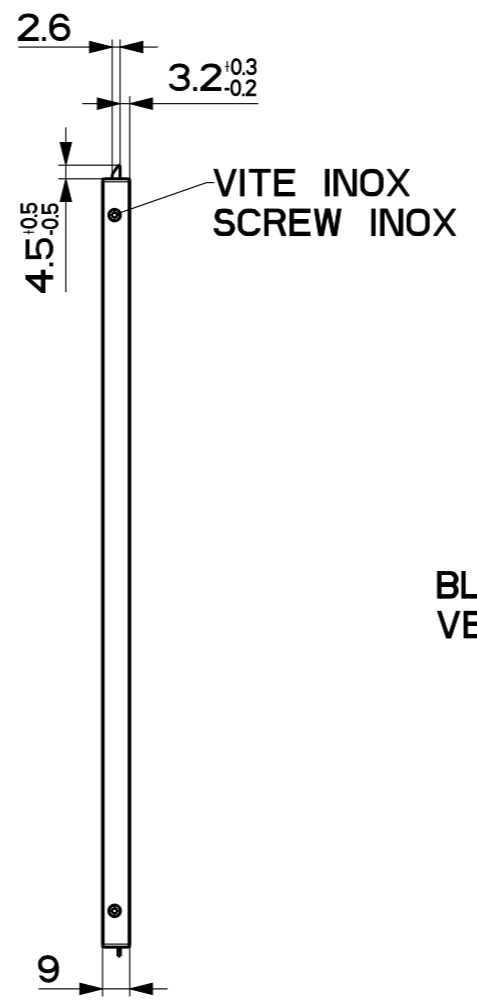
D

E



HANDLE COLOUR:
 * AL-OX VERSION: AL-OX
 * BK-VERSION: BLACK

COLORE MANIGLIA
 * VERSIONE AL-OX: AL-OX
 * VERSIONE NERA: NERA



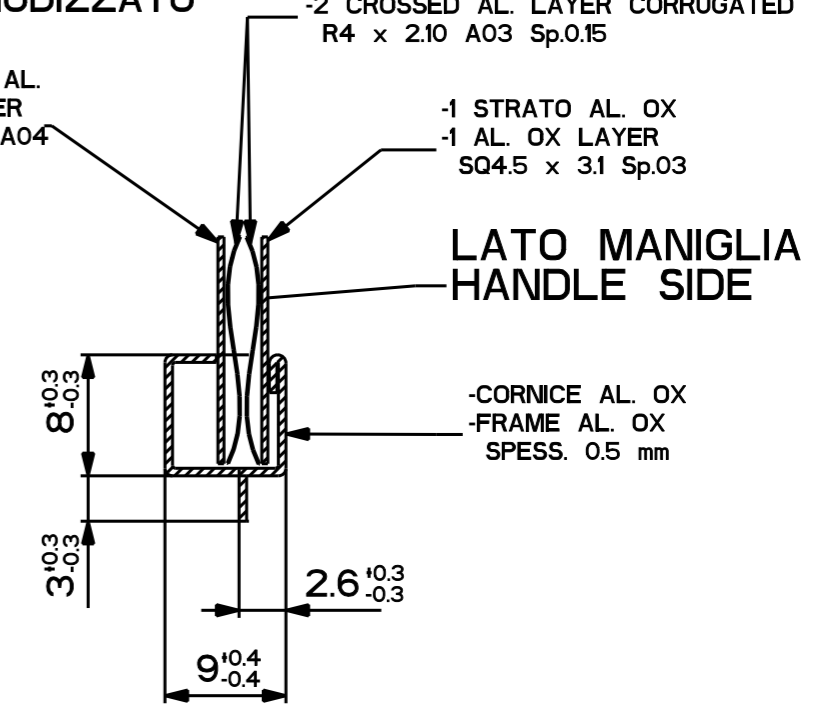
SCALE 2.5 VITE INOX SCREW INOX

AL-OX VERSION
 VERSIONE AL ANODIZZATO

-1 STRATO AL.
 -1 AL. LAYER
 R4 x 2.1 A04
 Sp. 0.30

-2 STRATI AL. INCROCIATI ONDULATO
 -2 CROSSED AL. LAYER CORRUGATED
 R4 x 2.10 A03 Sp.0.15

-1 STRATO AL. OX
 -1 AL. OX LAYER
 SQ4.5 x 3.1 Sp.03



LATO MANIGLIA
 HANDLE SIDE

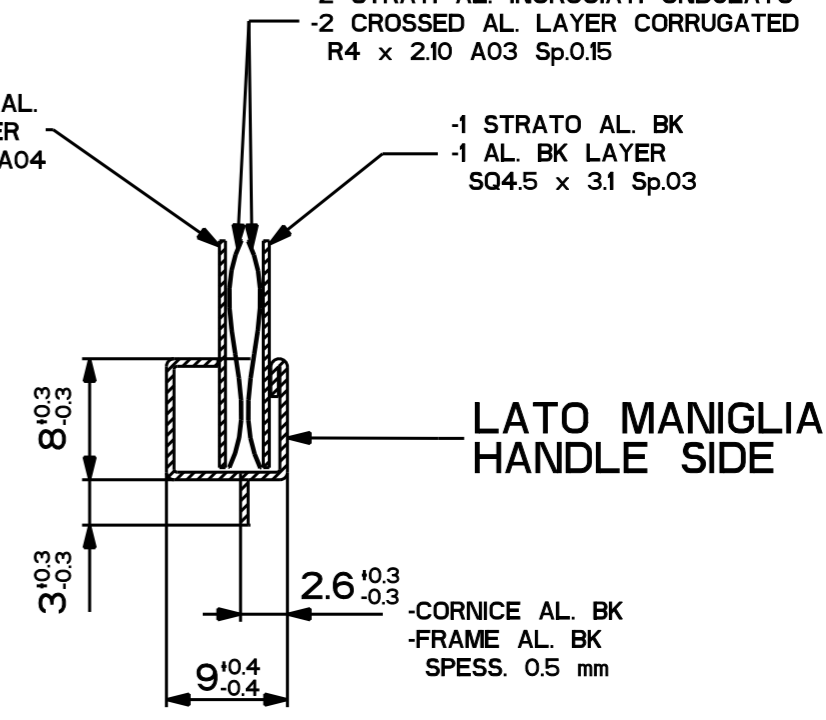
-CORNICE AL. OX
 -FRAME AL. OX
 SPESS. 0.5 mm

BLACK VERSION
 VERSIONE NERA

-1 STRATO AL.
 -1 AL. LAYER
 R4 x 2.1 A04
 Sp. 0.30

-2 STRATI AL. INCROCIATI ONDULATO
 -2 CROSSED AL. LAYER CORRUGATED
 R4 x 2.10 A03 Sp.0.15

-1 STRATO AL. BK
 -1 AL. BK LAYER
 SQ4.5 x 3.1 Sp.03



LATO MANIGLIA
 HANDLE SIDE

-CORNICE AL. BK
 -FRAME AL. BK
 SPESS. 0.5 mm

TOLERANCE CLASSES ISO 2768-1	GENERAL TOLERANCE LINEAR DIMENSION						
	0.5-3	3-6	6-30	30-120	120-400	400-1000	1000-2000
FINE	±0.05	±0.05	±0.1	±0.15	±0.2	±0.3	±0.5
MEDIUM	±0.1	±0.1	±0.2	±0.3	±0.5	±0.8	±1.2
COARSE	±0.2	±0.3	±0.5	±0.8	±1.2	±2	±3
VERY COARSE	-	±0.5	±1	±1.5	±2.5	±4	±6

These drawings and specifications are the property of Franke Technology and Trademark Ltd and shall not be reproduced, copied or transferred to any third party without the prior written permission of Franke Technology and Trademark Ltd, Switzerland. It is strictly prohibited to get quotes from the drawing or bring modifications whatsoever without the prior written consent of Franke Technology and Trademark Ltd.

Modification description
 Modified lower tabs from 9mm to 7mm (CN.9232)

FRANKE

FABER

Copyright Franke Technology and Trademark Ltd

Denomination
CASSETTE FILTER 124x254

Material
 AL-AN-SR

Thickness

Weight
 Kg 0.495

Lang EN

Scale 7:20

Form A3

Sheet 1/1

Created by Latini, Francesco
Creation date 22-Apr-2015 15:17
Modif.by Latini, Francesco
Doc.Type PART
Approved by Bellucci, Daniele
Approval date 20-Oct-2021
Doc. status Released
Drawing N. FIN_006
Rev 02

LA TOLLERANZA PER I FUORI SQUADRO SI MISURA POGGIANDO UNA SQUADRA RETTIFICATA A 90° SU OGNI LATO DEL FILTRO E DETERMINANDO LO SCOSTAMENTO NELL' ANGOLO OPPOSTO DELLO STESSO LATO. LIMITE MAX 1mm

THE TOLLERANCE HAS TO BE MEASURED PLACING A GROUND TRIANGLE ON EVERY FILTER'S EDGE AND MEASURING THE DEVIATION AT THE OPPOSITE CORNER ON THE SAME EDGE. MAXIMUM LIMIT 1 mm

