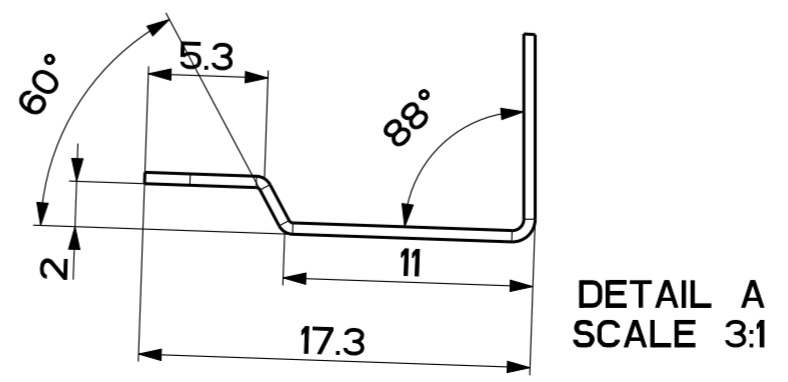
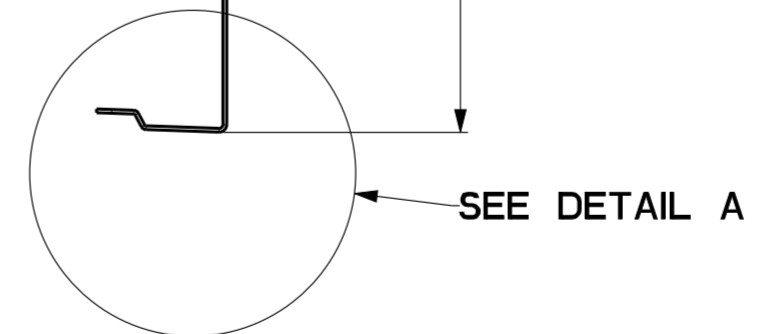
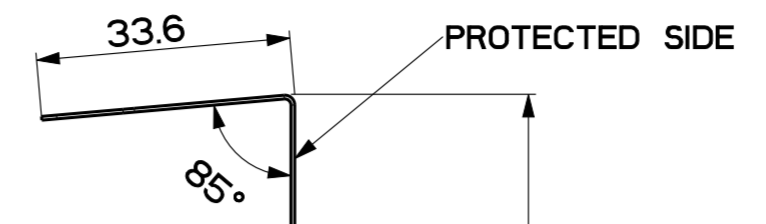
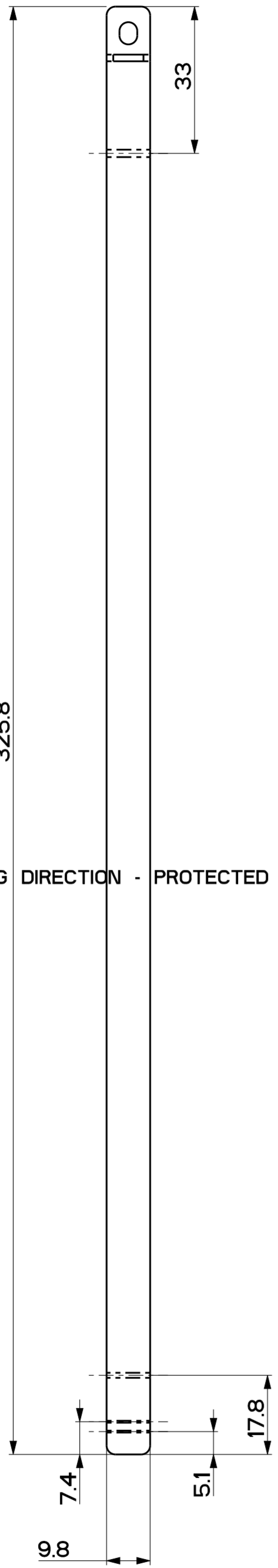


325.8
GLAZING DIRECTION - PROTECTED SIDE →



TOLERANCE CLASSES	GENERAL TOLERANCE LINEAR DIMENSION						
ISO 2768-1	0.5-3	3-6	6-30	30-120	120-400	400-1000	1000-2000
FINE	+0.05	+0.05	+0.1	+0.15	+0.2	+0.3	+0.5
MEDIUM	X	+0.1	+0.2	+0.3	+0.5	+0.8	+1.2
COARSE	-	+0.2	+0.3	+0.5	+0.8	+1.2	+3
VERY COARSE	-	-	+0.5	+1	+1.5	+2.5	+6

These drawings and specifications are the property of Franke Technology and Trademark Ltd and shall not be reproduced, copied or transferred to any third party without the prior written permission of Franke Technology and Trademark Ltd, Switzerland. It is strictly prohibited to get quotes from the drawing or bring modifications whatsoever without the prior written consent of Franke Technology and Trademark Ltd.

Material	AISI-430-BA-SR-PEP01	Thickness	5/10	Weight	Kg 0.012
Lang	EN	Scale	1:1	Form	A2
Sheet	1/1	Drawing N.	345019_019	Rev	01

Created by **Stopponi, Fabio**
 Creation date **07-Apr-2021 16:52**
 Modif.by **Stopponi, Fabio**
 Doc.Type **PART**
 Approved by **Palazzi, Walter**
 Approval date **28-Jul-2021**
 Doc. status **Released**

