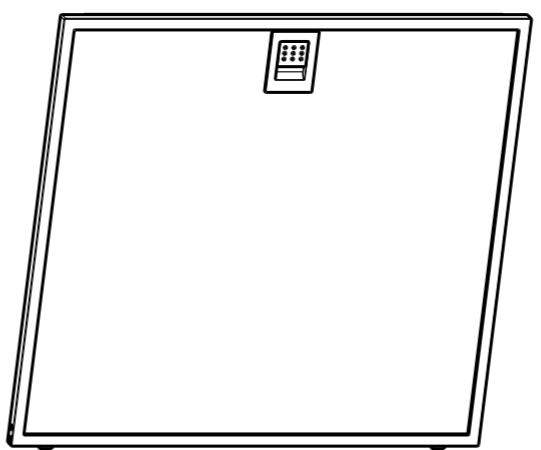
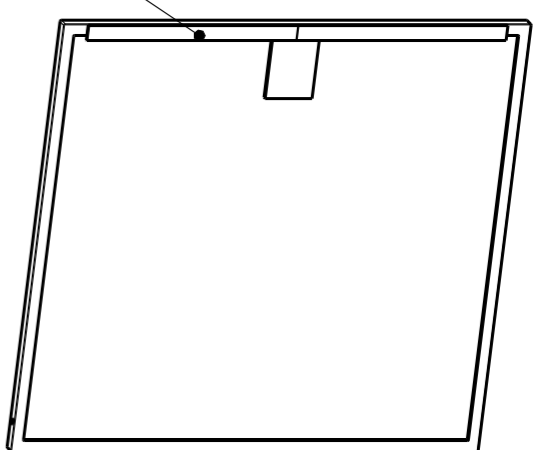


SEE DETAIL A



MAGNET CALAMITA

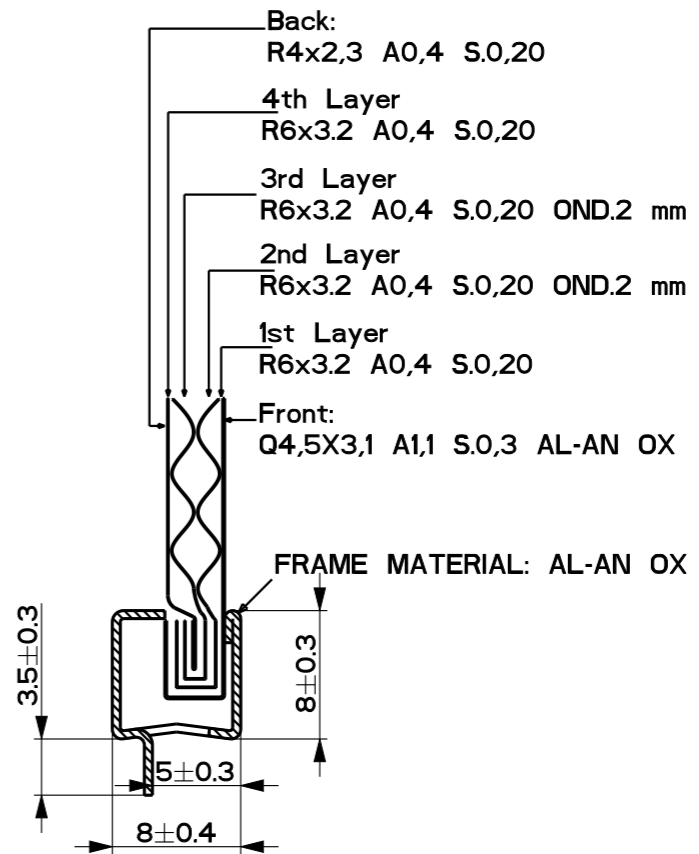


min.12 - max.20

SEE DETAIL B

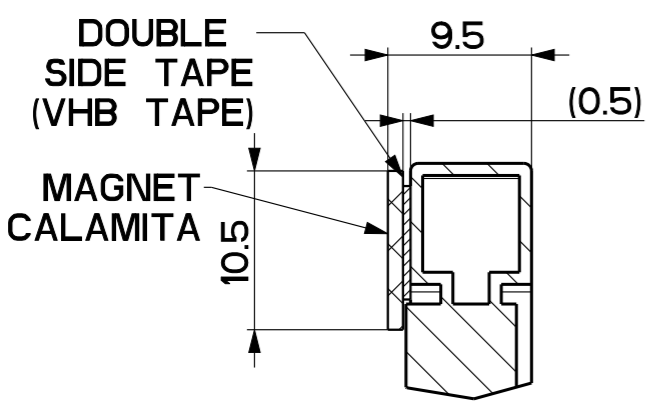
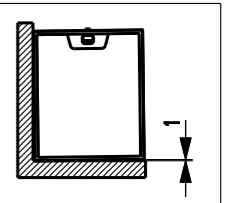
CLOSURE ON THIS SIDE

SECTION A-A

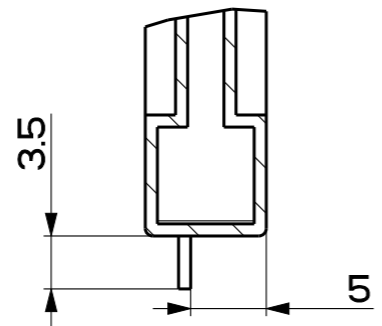


LA TOLLERANZA PER I FUORI SQUADRO SI MISURA POGGIANDO UNA SQUADRA RETTIFICATA A 90° SU OGNI LATO DEL FILTRO E DETERMINANDO LO SCOSTAMENTO NELL' ANGOLO OPPOSTO DELLO STESSO LATO. LIMITE MAX 1mm

THE TOLLERANCE HAS TO BE MEASURED PLACING A GROUND TRIANGLE ON EVERY FILTER'S EDGE AND MEASURING THE DEVIATION AT THE OPPOSITE CORNER ON THE SAME EDGE. MAXIMUM LIMIT 1 mm



DETAIL A SCALE 2:1

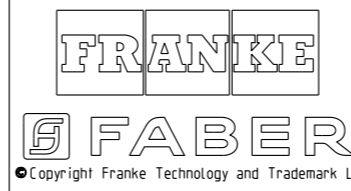


DETAIL B SCALE 2:1

TOLERANCE CLASSES ISO 2768-1	GENERAL TOLERANCE LINEAR DIMENSION						
	0.5-3	3-6	6-30	30-120	120-400	400-1000	1000-2000
FINE	±0.05	±0.05	±0.1	±0.15	±0.2	±0.3	±0.5
MEDIUM	±0.1	±0.1	±0.2	±0.3	±0.5	±0.8	±1.2
COARSE	±0.2	±0.3	±0.5	±0.8	±1.2	±2	±3
VERY COARSE	-	±0.5	±1	±1.5	±2.5	±4	±6

These drawings and specifications are the property of Franke Technology and Trademark Ltd and shall not be reproduced, copied or transferred to any third party without the prior written permission of Franke Technology and Trademark Ltd, Switzerland. It is strictly prohibited to get quotes from the drawing or bring modifications whatsoever without the prior written consent of Franke Technology and Trademark Ltd.

Modification description
DIMENSION UPDATE FOR MAGNET STRIP TAPE (CR.06907)



Denomination CASSETTE FILTER 329x301 1.5LAYERS W/MAGNET			
Material AL-AN-SR	Thickness	Weight Kg 0.483	
Lang EN	Scale 2:5	Form A3	Sheet 1/1

Created by Perelli, Francesco
Creation date 09-Jan-2019 10:05
Modif.by Perelli, Francesco
Doc.Type PART
Approved by Palazzi, Walter
Approval date 01-Oct-2021
Doc. status Released
Drawing N. FIN_021
Rev 05