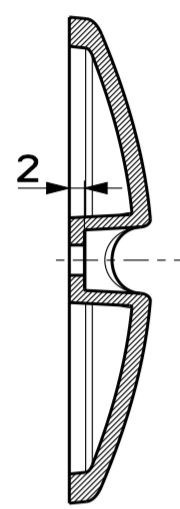
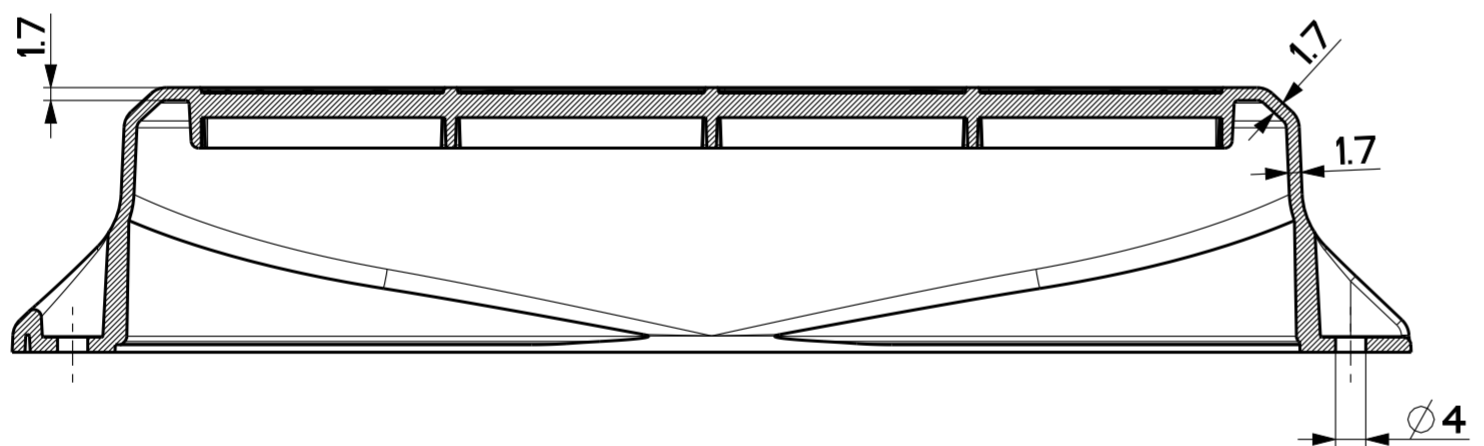


169<sup>05</sup><sub>-05</sub>

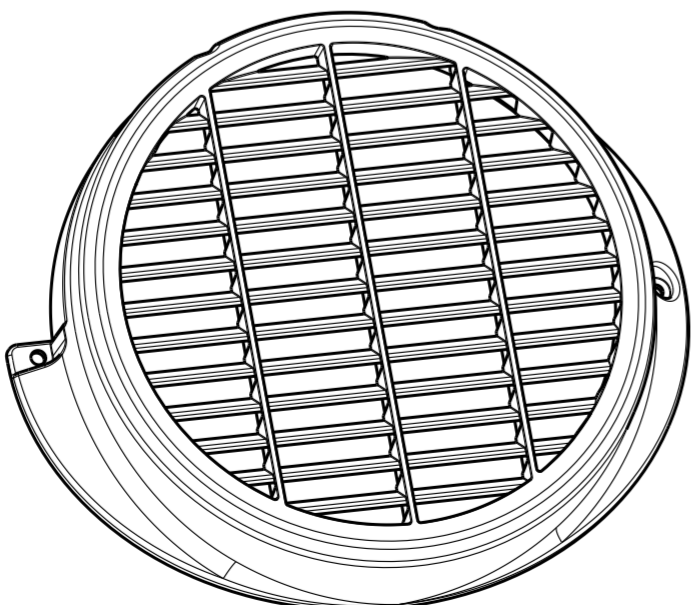
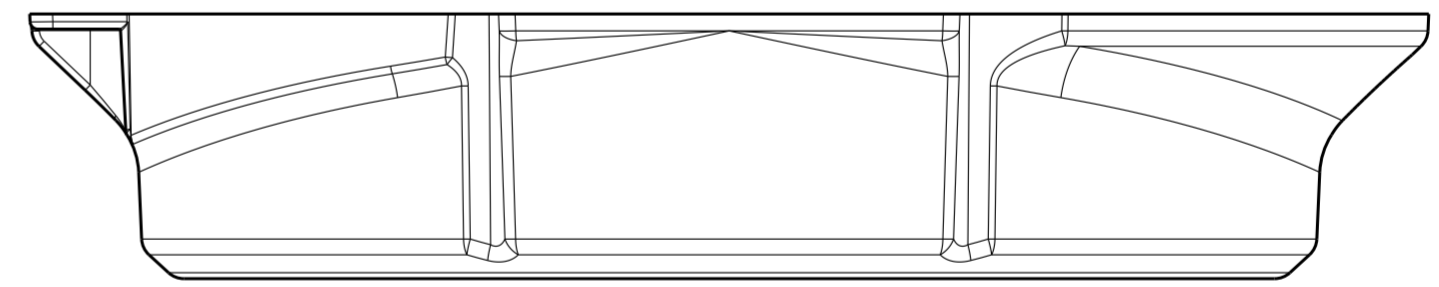
SECTION C-C



SECTION B-B



SECTION A-A



SCALE 1:2

EXCLUDED DIMENSIONS ACCORDING TO 3D MODEL

PERFORM TESTING ACCORDING TO THE SPECIFICATION ST 025 : OBJECT CATEGORY A02									
TOLERANCE ACCORDING TO DIN 16742:2013-10 T66	W	1-3	3-6	6-10	10-18	18-30	30-50	50-80	80-120
	NW	+0.07	+0.12	+0.18	+0.22	+0.26	+0.31	+0.37	+0.57
	W	+0.12	+0.18	+0.22	+0.26	+0.31	+0.37	+0.57	+0.80
	NW	+0.80	+0.93	+1.05	+1.15	+1.65	+2.20	+2.50	+2.80
	NW	+0.93	+1.05	+1.15	+1.65	+2.20	+2.50	+2.80	+3.10

Code	133.0594.171
Created by	Galassi, Raffaele
Creation date	26-Feb-2016 12:38
Modified by	Galassi, Raffaele
Doc. Type	PART
Approved by	Galassi, Raffaele
Approval date	16-Mar-2022
Doc. status	Released
Drawing N.	D24.105
Rev	04



Denomination  
**GRID ABS VO BK**

Material  
**ABS VO BK**

Weight  
**Kg 0,083**

Lang **EN** Scale **1:1** Form **A2** Sheet **1/1**

0.8