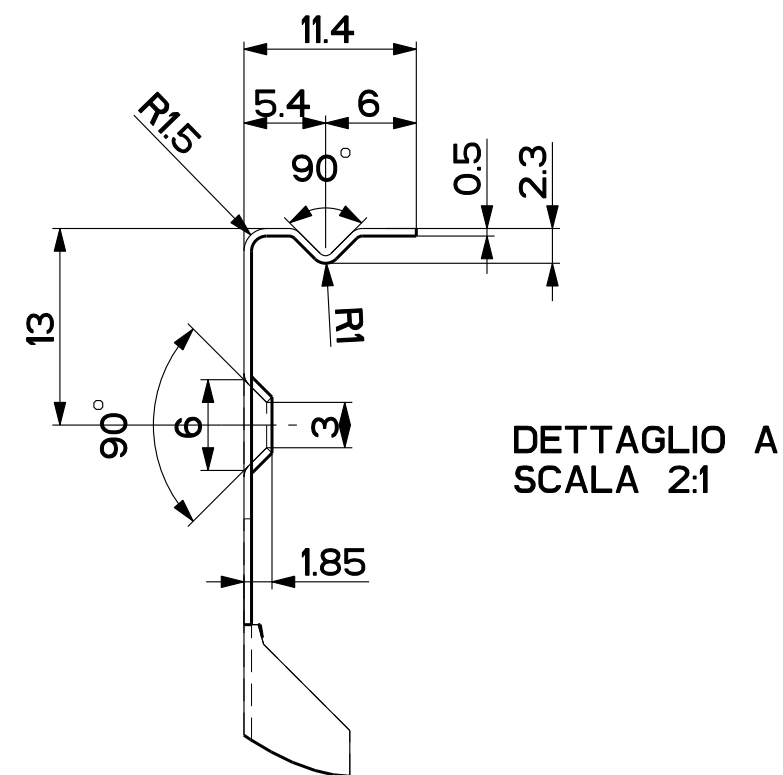
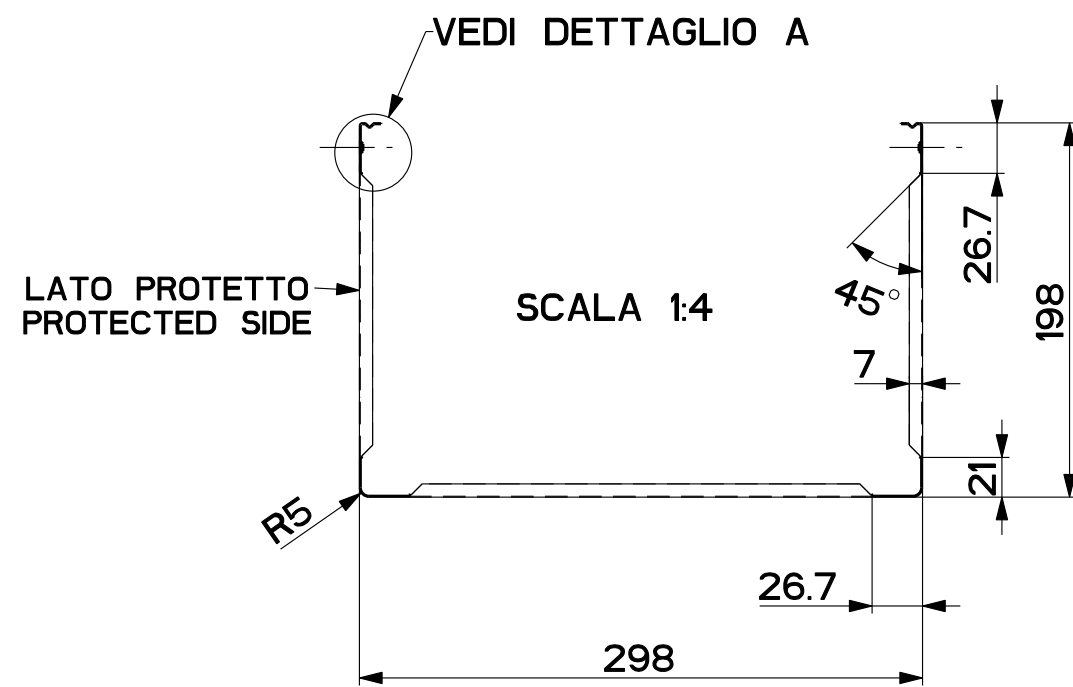
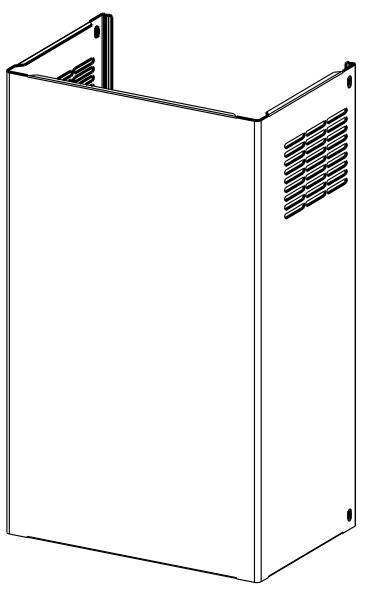


QUOTE DA NON CONSIDERARE  
PER I CAMINI DA STAMPO

DIMENSIONS NOT TO BE CONSIDERED  
FOR CHIMNEYS MADE BY TOOLING



TOLERANCE CLASSES	GENERAL TOLERANCE DIMENSION GROUP							
	0.5-3	3-6	6-30	30-120	120-400 ANG.	400-1000	1000-2000	
FINE	±0.05	±0.05	±0.1	±0.15	±0.2	±0.3	±0.5	
MEDIUM	±0.1	±0.1	±0.2	±0.3	±0.5	±0.8	±1.2	Created by Perelli, Francesco
COARSE	±0.2	±0.3	±0.5	±0.8	±1.2	±2	±3	Creation date 14-Apr-2011 16:21
VERY COARSE	-	±0.5	±1	±1.5	±2.5	±4	±6	

Do not get quotas from the drawing do not bring modifications without authorization of technical office.  
According to the law we reserve the own of the present drawing with reproduction prohibition partial or total.

Doc.Type **PART**

Modification description

UPDATED DIMENSIONAL NOTES

Modif.by **Perelli, Francesco**

Approved by **Palazzi, Walter**

Approval date **31-Jul-2014**

Denomination  
**UPPER CHIMNEY X 300-200-F500-R5**

Material  
**AlSi-430-BA-SR FE-P01**

Thickness  
**5/10**

Weight  
**Kg 1.381**

Doc. status **Released**

Lang **EN**

Scale **1:1**

Form **A2**

Sheet **1/1**

Drawing N.  
**CWA 402D**

Rev  
**06**

