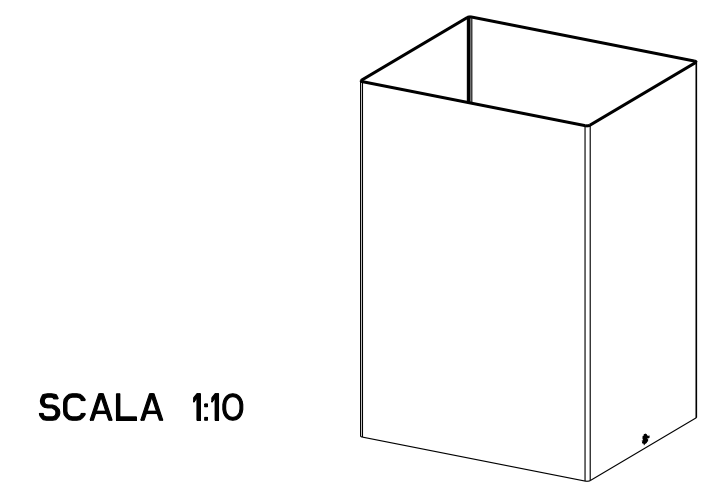
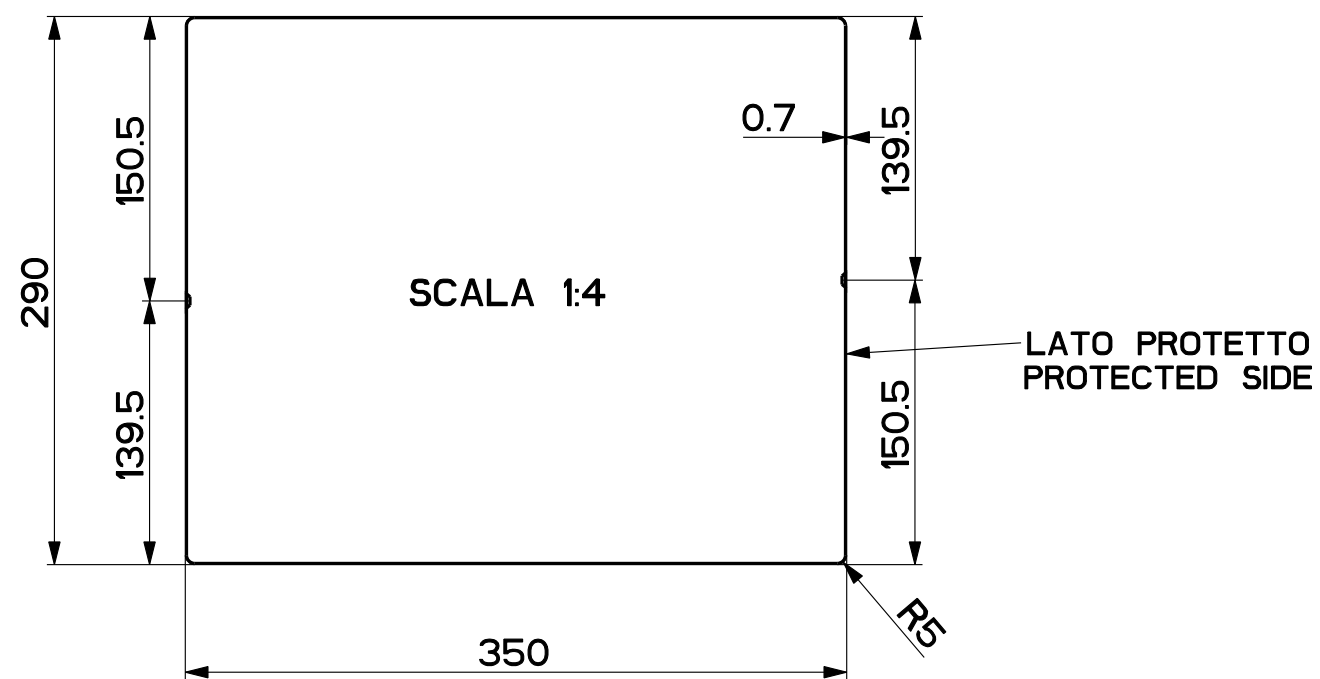


SCALA 1:4
 CODICE PIANO: 440009555



TOLERANCE CLASSES	GENERAL TOLERANCE DIMENSION GROUP								
	0.5-3	3-6	6-30	30-120	120-400 ANG.	400-1000	1000-2000		
FINE	-	±0.05	±0.05	±0.1	±0.15	±0.2	±0.3	±0.5	Created by Agostinelli, Sergio
MEDIUM	X	±0.1	±0.1	±0.2	±0.3	±0.5	±0.8	±1.2	
COARSE	-	±0.2	±0.3	±0.5	±0.8	±1.2	±2	±3	Creation date 14-Apr-2011 16:19
VERY COARSE	-	-	±0.5	±1	±1.5	±2.5	±4	±6	

Do not get quotas from the drawing do not bring modifications without authorization of technical office.
 According to the law we reserve the own of the present drawing with reproduction prohibition partial or total.

Modification description		Doc.Type	PART
ADDED EMBOSSING		Modif.by	Agostinelli, Sergio
Denomination		Approved by	Palazzi, Walter
LOWER CHIMNEY X 350-290-A500-R5		Approval date	04-Sep-2014
Material		Doc. status	Released
AISI-430-BA-SR		Thickness	7/10
Weight		Drawing N.	CIA_000N
Kg 3.487		Rev	02
Lang	EN	Scale	1:1
Form	A2	Sheet	1/1

