

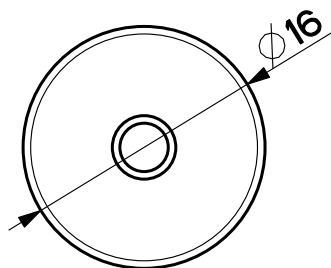
1

2

3

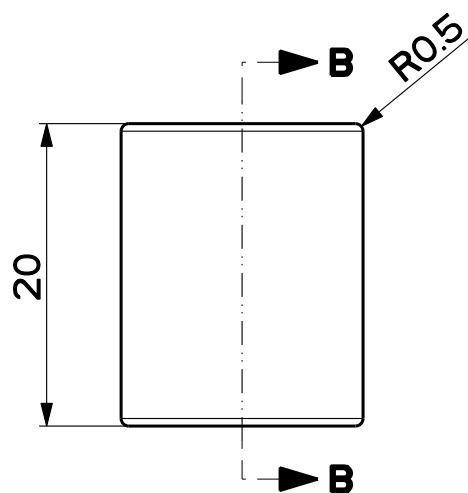
4

A

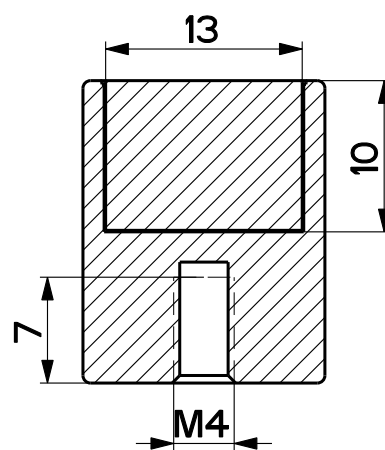


A

B

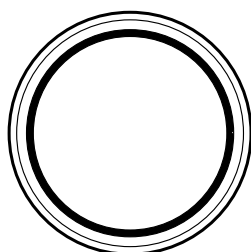


B



SECTION B-B

C



C

D

- FORZA DEL MAGNETE 90N
- TEMPERATURA MASSIMA DI LAVORO 120 °C
- DIMENSIONI \varnothing 16mm H20mm
- strong magnet 90N
- maximum working temperature 120 °C
- dimensions \varnothing 16mm H20mm

D

MAGNETE NdFeB 45H

TOLERANCE CLASSES		GENERAL TOLERANCE LINEAR DIMENSION							Created by Bellucci, Daniele
ISO 2768-1		0.5-3	3-6	6-30	30-120	120-400	400-1000	1000-2000	
FINE	-	±0.05	±0.05	±0.1	±0.15	±0.2	±0.3	±0.5	Creation date 27-Aug-2013 12:28
MEDIUM	X	±0.1	±0.1	±0.2	±0.3	±0.5	±0.8	±1.2	
COARSE	-	±0.2	±0.3	±0.5	±0.8	±1.2	±2	±3	Modif.by
VERY COARSE	-	-	±0.5	±1	±1.5	±2.5	±4	±6	
Do not get quotas from the drawing do not bring modifications without authorization of technical office. According to the law we reserve the own of the present drawing with reproduction prohibition partial or total.									Modif. date
Modification description									Doc.Type PART
		Denomination							Approved by Bellucci, Daniele
		MAGNET \varnothing 16 X 20MM M4X7 90N							Approval date 15-Dec-2015
		Material TO.BE.ASSIGN				Thickness -	Weight Kg 0.000		Doc. status Released
		Lang EN		Scale 2:1	Form A4	Sheet 1/1		Drawing N. CMM_060	Rev 01