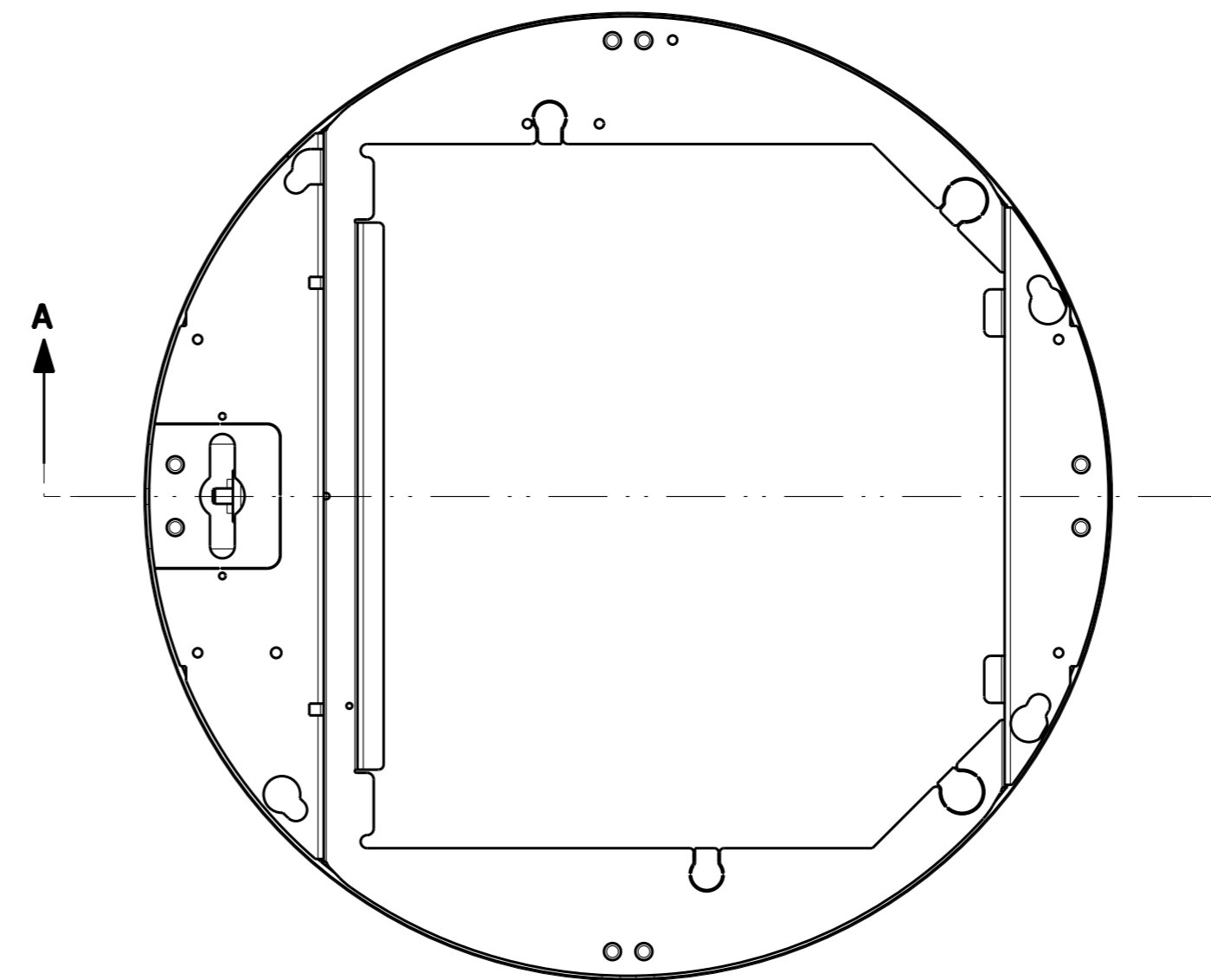
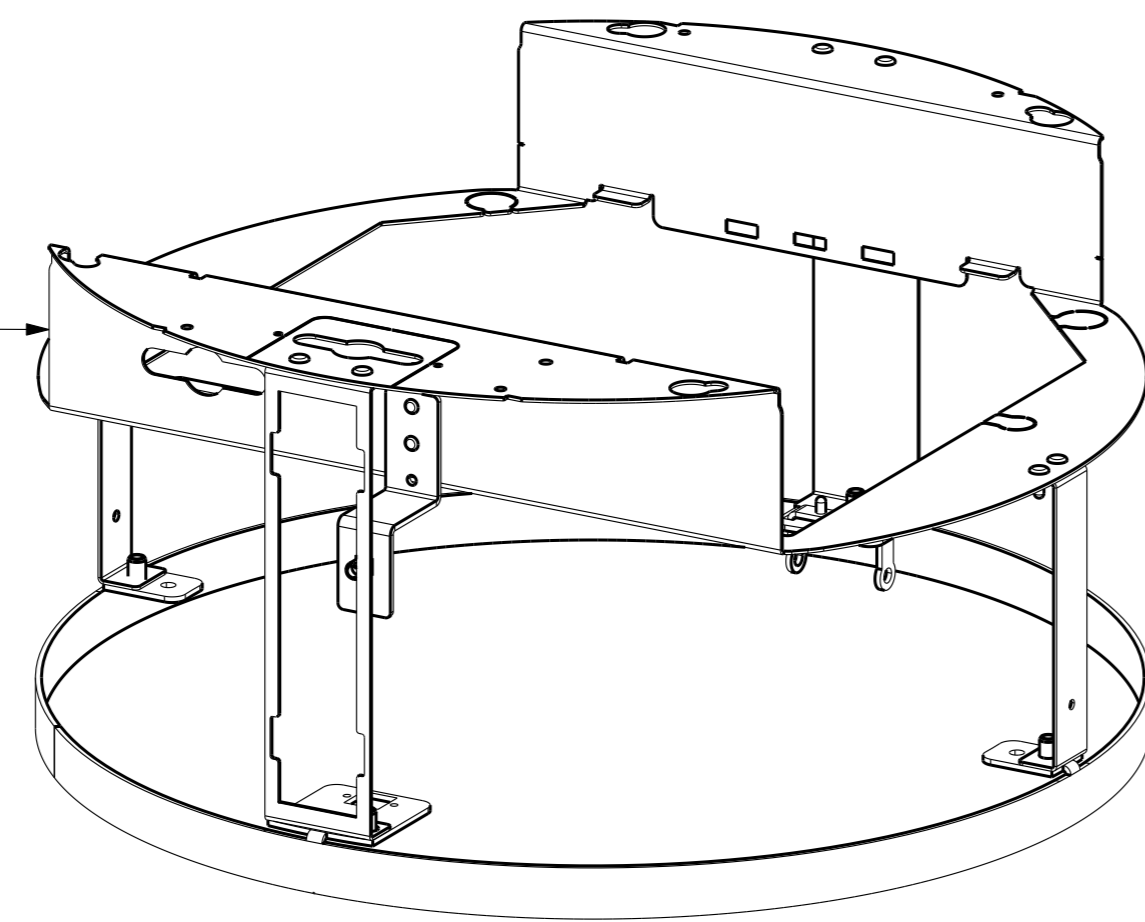
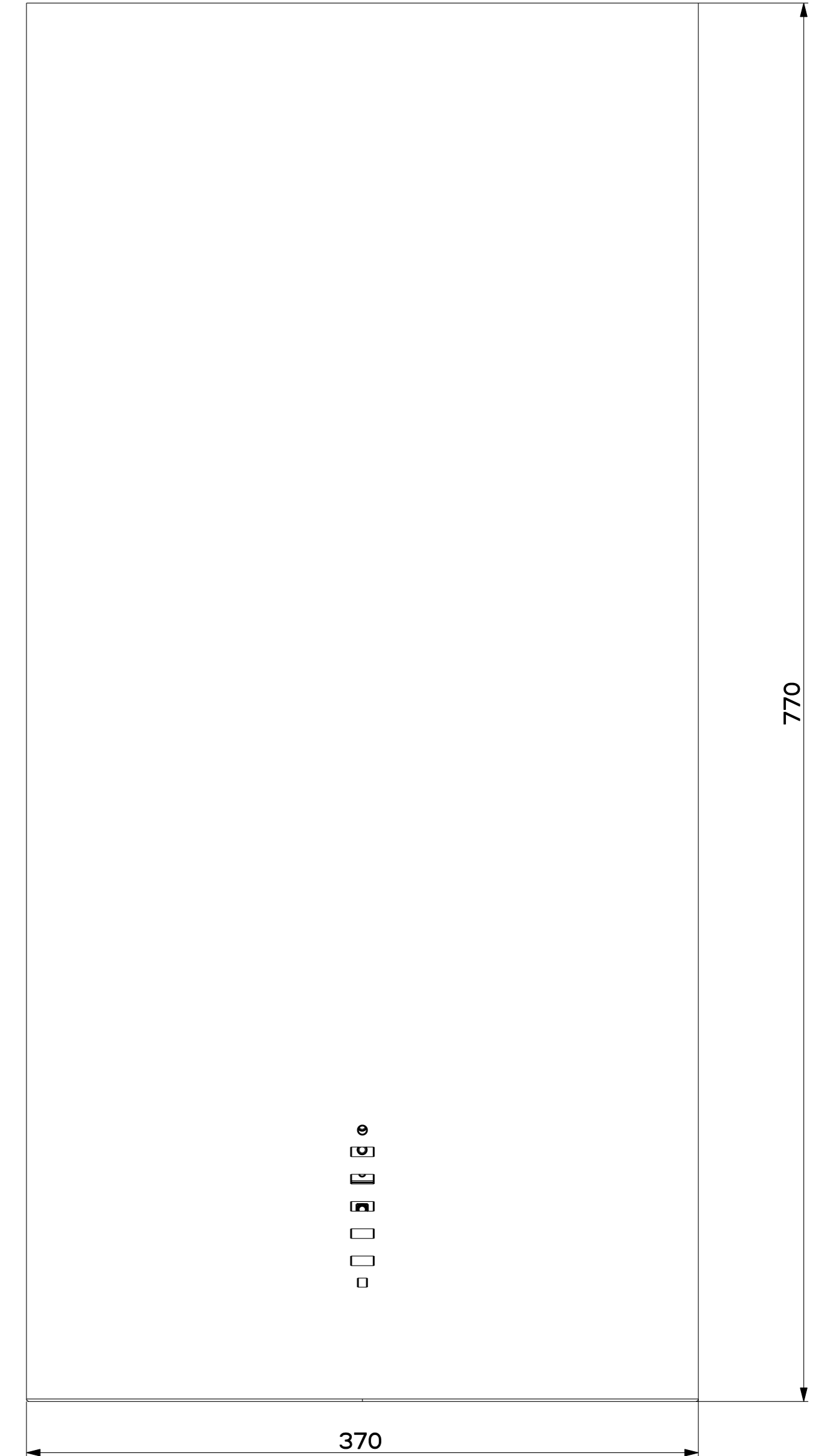


SECTION A-A



INDICE	N. DISEGNO	DESCRIZIONE	Q.TA
1	A82.076	CAMINO INFERIORE KS VERT. H770 ASP.	1
2	A82.830	ASSIEME CAMINO INF. COMANDO KS VERT. ASP. H770	1

TOLERANCE CLASSES		GENERAL TOLERANCE LINEAR DIMENSION						Created by Perelli, Francesco	
ISO 2768-1		0.5-3	3-6	6-30	30-120	120-400	400-1000	1000-2000	Creation date 14-Apr-2011 16:01
FINE	±0.05	±0.05	±0.05	±0.1	±0.15	±0.2	±0.3	±0.5	Modif. by Perelli, Francesco
MEDIUM	±0.1	±0.1	±0.1	±0.2	±0.3	±0.5	±0.8	±1.2	Modif. date 11-Jul-2016 17:21
COARSE	±0.2	±0.3	±0.5	±0.8	±1.2	±2	±3	±6	Do not get quotas from the drawing do not bring modifications without authorization of technical office.
VERY COARSE	±0.5	±1	±1.5	±2.5	±4	±6	±10	±15	According to the law we reserve the own of the present drawing with reproduction prohibition partial or total.

Modification description:  
 CREATED NEW SUBASSEMBLY \*2 (CR.0108 - CN.0215)

Doc. Type	ASSEM
Approved by	Damiani, Cristiano
Approval date	13-Jul-2016
Doc. status	Released
Drawing N.	A82.767
Rev.	03

**FABER**  
**futurum**  
 Denomination: LOWER CHIMNEY CYLINDRA IS  
 Material: \_\_\_\_\_ Thickness: \_\_\_\_\_ Weight: Kg 5.464  
 Lang: EN Scale: 2.5 Form: A1 Sheet: 1/1