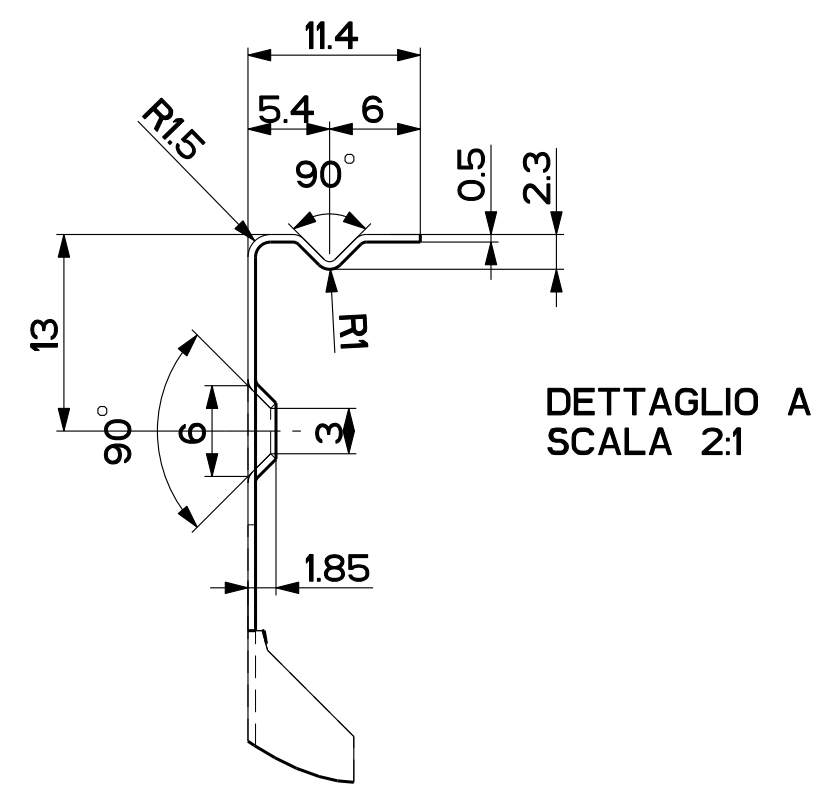
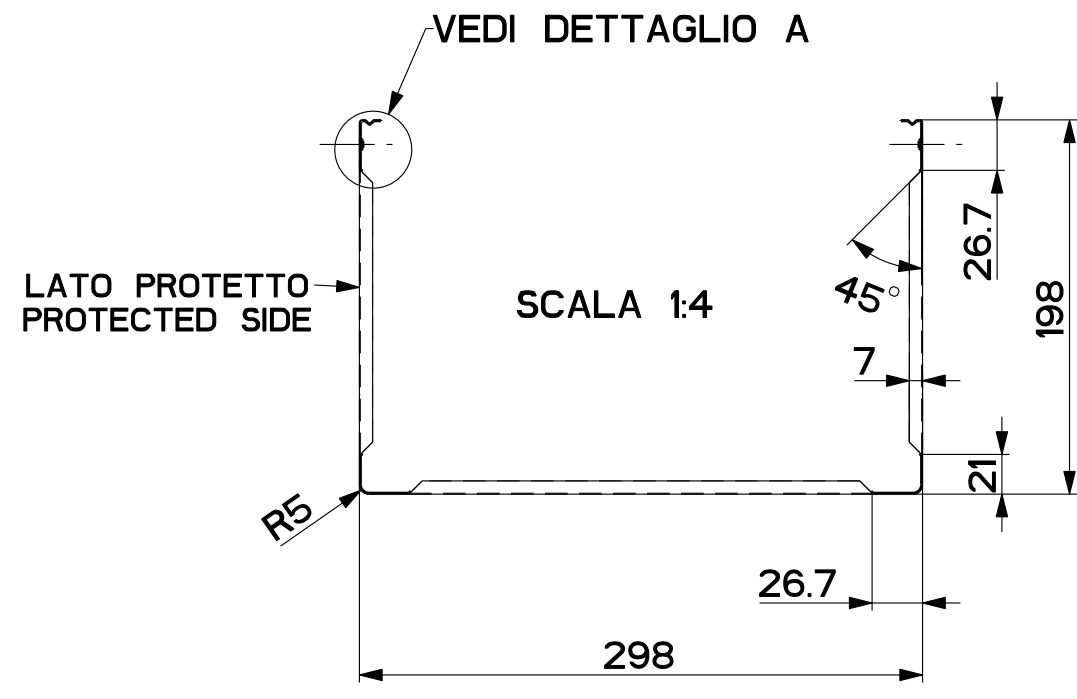
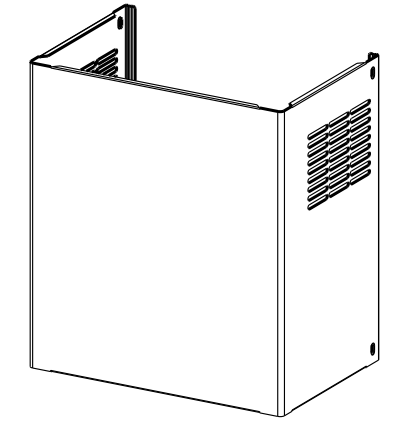


QUOTE DA NON CONSIDERARE
PER I CAMINI DA STAMPO
DIMENSIONS NOT TO BE CONSIDERED
FOR CHIMNEYS MADE BY TOOLING



TOLERANCE CLASSES	GENERAL TOLERANCE DIMENSION GROUP							
	0.5-3	3-6	6-30	30-120	120-400 ANG.	400-1000	1000-2000	
FINE	±0.05	±0.05	±0.1	±0.15	±0.2	±0.3	±0.5	
MEDIUM	±0.1	±0.1	±0.2	±0.3	±0.5	±0.8	±1.2	Created by Perelli, Francesco
COARSE	±0.2	±0.3	±0.5	±0.8	±1.2	±2	±3	Creation date 14-Apr-2011 16:21
VERY COARSE	-	±0.5	±1	±1.5	±2.5	±4	±6	Doc.Type PART

Do not get quotas from the drawing do not bring modifications without authorization of technical office.
According to the law we reserve the own of the present drawing with reproduction prohibition partial or total.

Modification description
UPDATED DIMENSIONAL NOTES

FABER <i>futurum</i>	Denomination		Approved by	
	UPPER CHIMNEY X 300-200-F330-R5		Palazzi, Walter	
Material	Thickness	Weight	Doc. status	
AISI-304-BA-SR	5/10	Kg 0.906	Released	
Lang EN	Scale 1:1	Form A2	Sheet 1/1	Drawing N.
				Rev
				CWA 402E 05